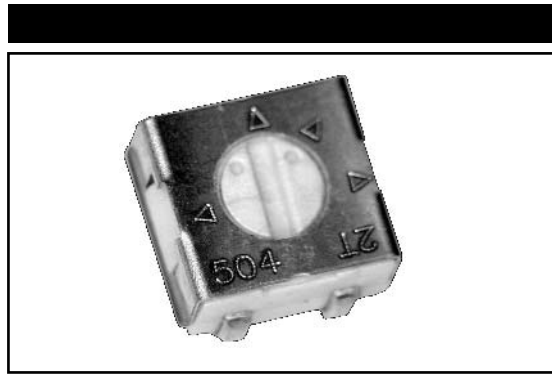


MODEL 23A, B, S

4mm Square Sealed Single Turn Surface Mount Cermet Trimming Potentiometer



1

ELECTRICAL

| | |
|---------------------------------------|---|
| Standard Resistance Range, Ohms | 10 to 2Meg |
| Standard Resistance Tolerance | ±20% |
| Input Voltage, Maximum | 200 Vdc or rms not to exceed power rating |
| Power Rating, Watts | 0.25 at 70°C derating to 0 at 125°C |
| End Resistance, Maximum | 1% or 3 Ohms, whichever is greater |
| Actual Electrical Travel, Nominal | 210° |
| Dielectric Strength | 500 Vrms |
| Insulation Resistance, Minimum | 100 Megohms |
| Resolution | Essentially infinite |
| Contact Resistance Variation, Maximum | 1% or 3 Ohms, whichever is greater |

ENVIRONMENTAL

| | |
|----------------------------------|--|
| Seal | 85°C Fluorinert® (No Leaks) |
| Temperature Coefficient, Maximum | ±100ppm/°C (<200 Ohms, >1Meg = ±250ppm/°C) |
| Operating Temperature Range | -55°C to +125°C |
| Thermal Shock | 5 cycles, -55°C to +125°C (2% ΔRT, 2% ΔVR) |
| Moisture Resistance | Ten 24 hour cycles (3% ΔRT) |
| Shock, 6ms Sawtooth | 100G's (1% ΔRT, 1% ΔVR) |
| Vibration | 20G's, 10 to 2,000 Hz (1% ΔRT, 1% ΔVR) |
| High Temperature Exposure | 250 hours at 125°C (2% ΔRT, 2% ΔVR) |
| Rotational Life | 100 cycles (5% ΔRT) |
| Load Life at 0.25 Watts | 1,000 hours at 70°C (3% ΔRT, 1% ΔVR) |
| Resistance to Solder Heat | 260°C for 10 sec. (1% ΔRT) |

MECHANICAL

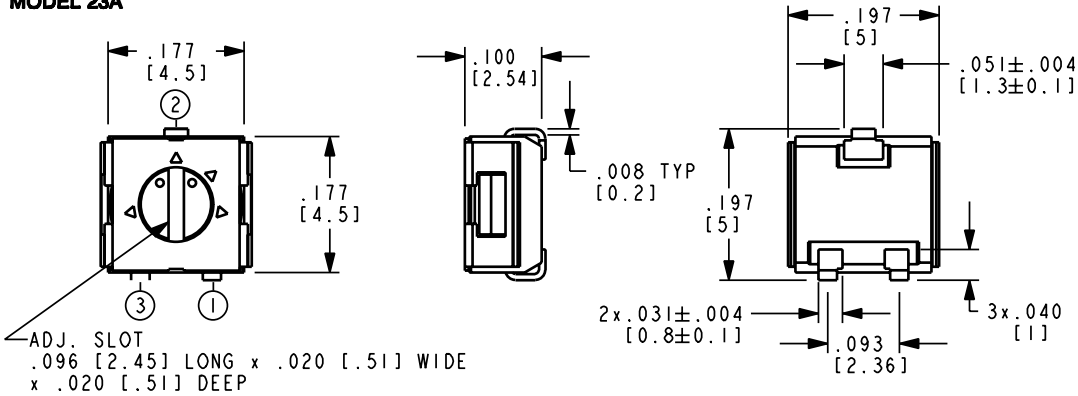
| | |
|------------------------|-----------------------|
| Mechanical Stops | Solid |
| Stop Strength, Minimum | 4 oz.-in. (300 gr-cm) |
| Torque, Maximum | 2 oz.-in. (150 gr-cm) |
| Weight, Nominal | .005 oz. (0.14 grams) |

Fluorinert® is a registered trademark of 3M Company.
Specifications subject to change without notice.



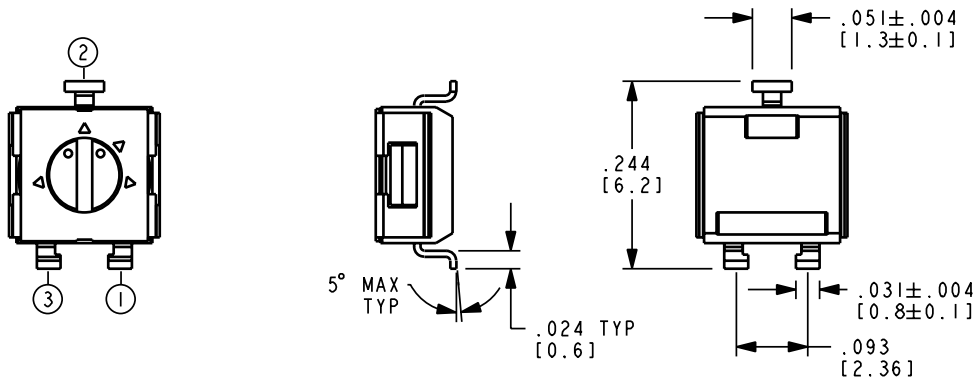
TOP ADJUSTMENT (Inch/mm)

MODEL 23A



Note: Model 23A dimensions applicable to all models except as noted

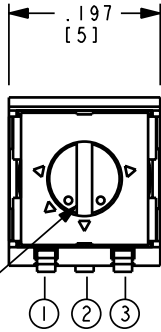
MODEL 23B



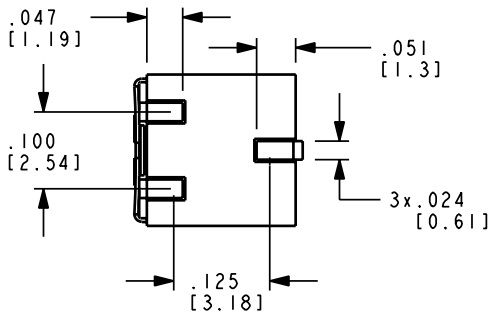
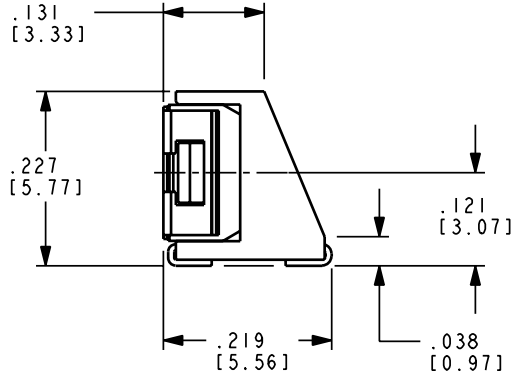
SIDE ADJUSTMENT (Inch/mm)

1

MODEL 23S

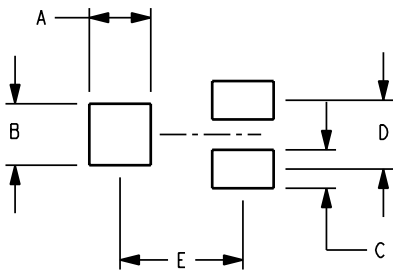


ROTOR POSITIONED AS SHOWN
WITHIN $\pm 22^\circ$ OF CENTERLINE
OF TERMINAL 2



RECOMMENDED PCB LAYOUT (Inch/mm)

RECOMMENDED PCB LAYOUT (INCH/mm)



| | 23A | 23B | 23S |
|---|--------------|-------------|--------------|
| A | .079 2.00 | .051 1.3 | .079 2.0 |
| B | .079 2.00 | .079 2.0 | .079 2.0 |
| C | .051 1.3 | .051 1.3 | .051 1.3 |
| D | .091 2.3 | .091 2.3 | .10 2.54 |
| E | .157 4.00 | .217 5.5 | .137 3.48 |

DIMENSIONS ARE : INCHES (mm)
TOLERANCES : $\pm .010$ (.25) EXCEPT WHERE NOTED

STANDARD RESISTANCE VALUES, OHMS

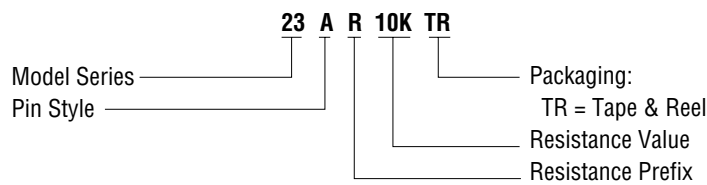
| | | | | | |
|----|-----|----|-----|------|------|
| 10 | 100 | 1K | 10K | 100K | 1Meg |
| 20 | 200 | 2K | 20K | 200K | 2Meg |
| 50 | 500 | 5K | 50K | 500K | |

PACKAGING

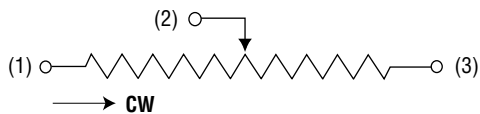
Standard: Embossed Tape
All units oriented with #2 (slider) terminal adjacent to sprocket holes.

| | Pin Style | | A,B | S |
|------|-----------|---|-------------|-------------|
| Tape | Width | = | 12 mm | 12 mm |
| | Sprocket | = | 4 mm Pitch | 4 mm Pitch |
| | Capacity | = | 500 Units | 200 Units |
| Reel | Diameter | = | 7" (178 mm) | 7" (178 mm) |

ORDERING INFORMATION



CIRCUIT DIAGRAM



NOTES

English equivalents are based on 1 inch = 25.4mm and are provided for general information only.

Tolerances unless otherwise specified:
Linear = ± 0.3 mm (.01 inches)

