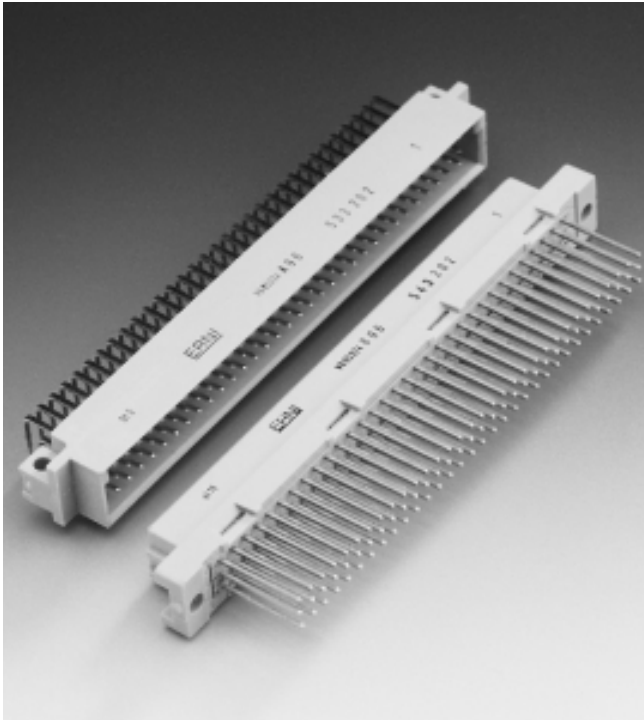


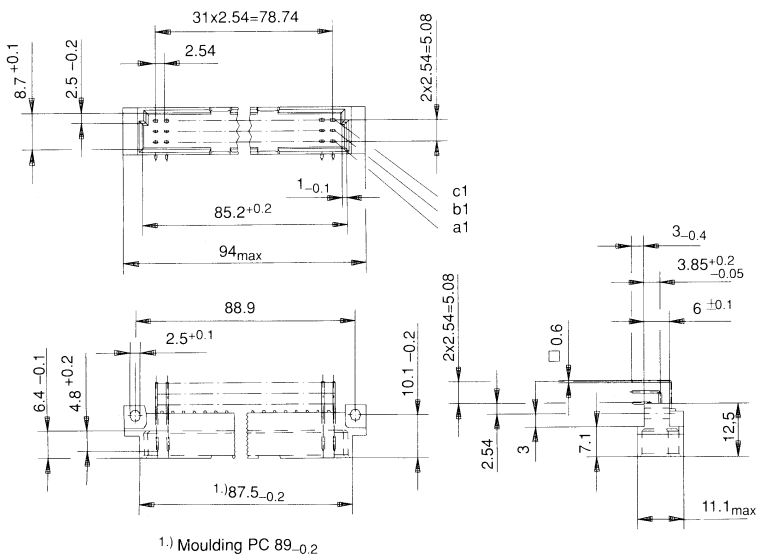
Size C

as per DIN 41612/IEC 60603-2

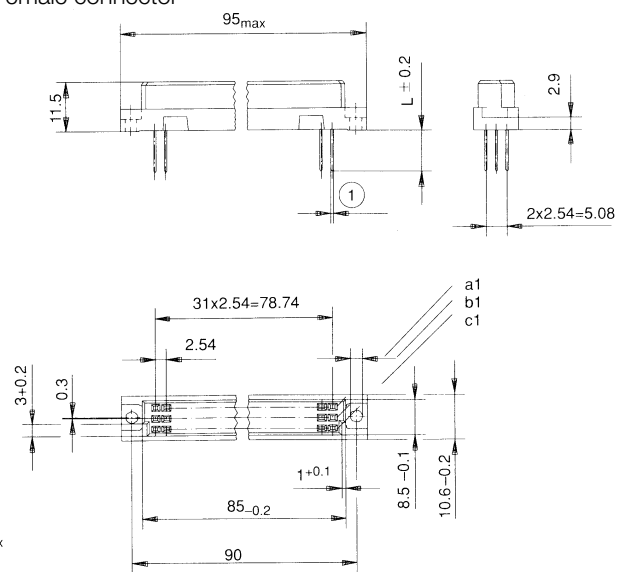


Dimensional drawings

Male connector



Female connector

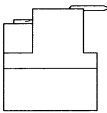
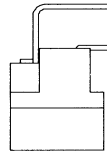
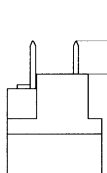
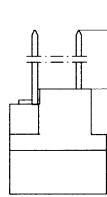
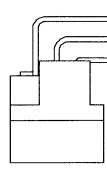
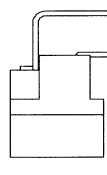
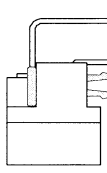


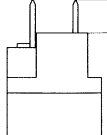
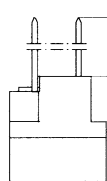
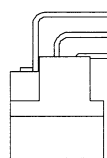
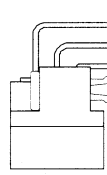
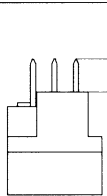
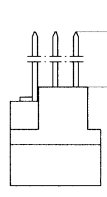
① connectors for dip soldering are available with terminations of 0.25x0.7mm or 0.6x0.6. Wire-wrap-terminations 0.6x0.6mm.

Orderings details

Male connector size C

as per DIN 41612/IEC 60603-2 maximum three rows loaded, maximum 96 contacts

	STV-C 32-M-a			
		107	207	
	PBT	533 204		
	STV-C 32-M-ac 2,4,6...32			
		107	207	
	PBT	533 203	533 403	
	STV-C 32-M-ac 2,4,6...32			
		107	207	
	PBT	414 400	414 401	
	STV-C 32-M-ac 2,4,6...32			
		107	207	
	PBT	414 403	414 404	
	STV-C 48-M-abc 2,4,6...32			
		107	207	
	PBT	533 223	533 423	
	STV-C 64-M-ac			
		107	207	
	PBT	533 201	533 401	
	STV-C 64-M-ac <i>Male connector with integral mounting pegs</i>			
		107	207	
	PBT		004 413	

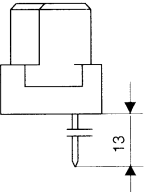
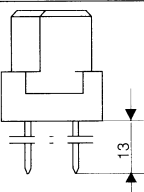
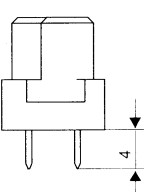
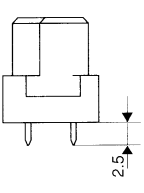
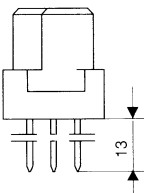
	STV-C 64-M-ac			
		107	207	
	PBT	414 406	414 407	
	STV-C 64-M-ac			
		107	207	
	PBT	414 409	414 410	
	STV-C 96-M-abc			
		107	207	
	PBT	533 202	533 402	
	STV-C 96-M-abc <i>Male connector with integral mounting pegs</i>			
		107	207	
	PBT		434 325	
	STV-C 96-M-abc			
		107	207	
	PBT	414 412	414 413	
	STV-C 96-M-abc			
		107	207	
	PBT	414 415	414 416	

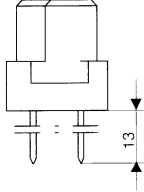
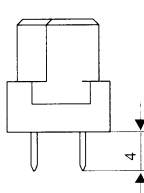
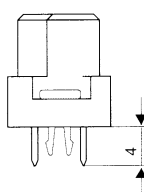
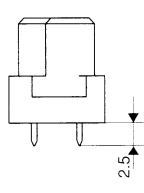
Additional versions e. g. terminations for solder eyelets available on request.

Orderings details

Female connector size C

as per DIN 41612/IEC 60603-2 maximum three rows loaded, maximum 96 contacts

	STV-C 32-F-a <table border="1"> <tr> <td></td> <td>107</td> <td>207</td> </tr> <tr> <td>PBT</td> <td>543 204</td> <td></td> </tr> </table>		107	207	PBT	543 204	
	107	207					
PBT	543 204						
	STV-C 32-F-ac 2,4,6...32 <table border="1"> <tr> <td></td> <td>107</td> <td>207</td> </tr> <tr> <td>PBT</td> <td>543 203*</td> <td>543 403</td> </tr> </table>		107	207	PBT	543 203*	543 403
	107	207					
PBT	543 203*	543 403					
	STV-C 32-F-ac 2,4,6...32 <i>Termination cross section \square 0.25x0.7mm</i> <table border="1"> <tr> <td></td> <td>107</td> <td>207</td> </tr> <tr> <td>PBT</td> <td>004 985</td> <td>004 767</td> </tr> </table>		107	207	PBT	004 985	004 767
	107	207					
PBT	004 985	004 767					
	STV-C 32-F-ac 2,4,6...32 <i>Termination cross section \square 0.25x0.7mm</i> <table border="1"> <tr> <td></td> <td>107</td> <td>207</td> </tr> <tr> <td>PBT</td> <td>004 984</td> <td>023 071</td> </tr> </table>		107	207	PBT	004 984	023 071
	107	207					
PBT	004 984	023 071					
	STV-C 48-F-abc 2,4,6...32 <table border="1"> <tr> <td></td> <td>107</td> <td>207</td> </tr> <tr> <td>PBT</td> <td></td> <td>594 668</td> </tr> </table>		107	207	PBT		594 668
	107	207					
PBT		594 668					

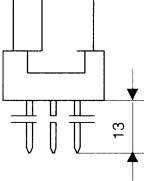
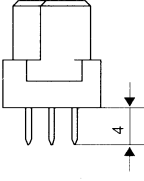
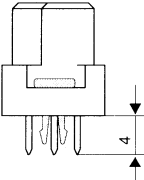
	STV-C 64-F-ac <table border="1"> <tr> <td></td> <td>107</td> <td>207</td> </tr> <tr> <td>PBT</td> <td>543 201</td> <td>543 401</td> </tr> </table>		107	207	PBT	543 201	543 401
	107	207					
PBT	543 201	543 401					
	STV-C 64-F-ac <i>Termination cross section \square 0.25x0.7mm</i> <table border="1"> <tr> <td></td> <td>107</td> <td>207</td> </tr> <tr> <td>PBT</td> <td>594 076</td> <td>594 834</td> </tr> </table>		107	207	PBT	594 076	594 834
	107	207					
PBT	594 076	594 834					
	STV-C 64-F-ac <i>Termination cross section \square 0.25x0.7mm with integral mounting pegs</i> <table border="1"> <tr> <td></td> <td>107</td> <td>207</td> </tr> <tr> <td>PBT</td> <td></td> <td>033 590</td> </tr> </table>		107	207	PBT		033 590
	107	207					
PBT		033 590					
	STV-C 64-F-ac <i>Termination cross section \square 0.25x0.7mm</i> <table border="1"> <tr> <td></td> <td>107</td> <td>207</td> </tr> <tr> <td>PBT</td> <td>433 012</td> <td>594 971</td> </tr> </table>		107	207	PBT	433 012	594 971
	107	207					
PBT	433 012	594 971					

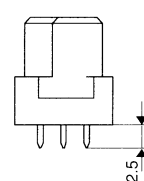
Additional versions e. g. terminations for solder eyelets are available on request.

Orderings details

Female connector size C

as per DIN 41612/IEC 60603-2, maximum three rows loaded, maximum 96 contacts

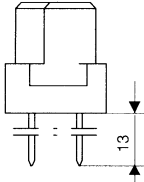
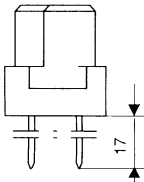
	STV-C 96-F-abc 107 207 PBT 543 202 543 402
	STV-C 96-F-abc <i>Termination cross section</i> □ 0.25x0.7mm 107 207 PBT 594 073 594 833
	STV-C 96-F-abc <i>Termination cross section</i> □ 0.25x0.7mm with integral mounting pegs 107 207 PBT 033 228

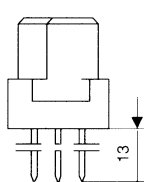
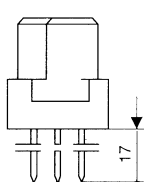
	STV-C 96-F-abc <i>Termination cross section</i> □ 0.25x0.7mm 107 207 PBT 004 983 003 664
---	--

Additional versions e. g. terminations for solder eyelets and other lengths of terminations e. g. 10 mm are available on request.

Female connector size C

as per DIN 41612/IEC 60603-2 with gold-plated transfer zone ①

	STV-C 64-F-ac UE ① 101 201 PBT 013 962
	STV-C 64-F-ac UE ① 101 201 PBT 593 441 593 405

	STV-C 96-F-abc UE ① 101 201 PBT 013 905
	STV-C 96-F-abc UE ① 101 201 PBT 593 443 593 406

① Entire length of contacts nickel-plated, transfer zone (5 mm) solid-gold plated.

Example of an application



For female connectors with hard gold plated transfer zone terminations, ERNI offers a specific guide frame for the design in the wiring field or on the front panel in a chassis.

For ordering details regarding the ERNI interface system please refer to the data sheet titled „Mateable wiring transfer system“.