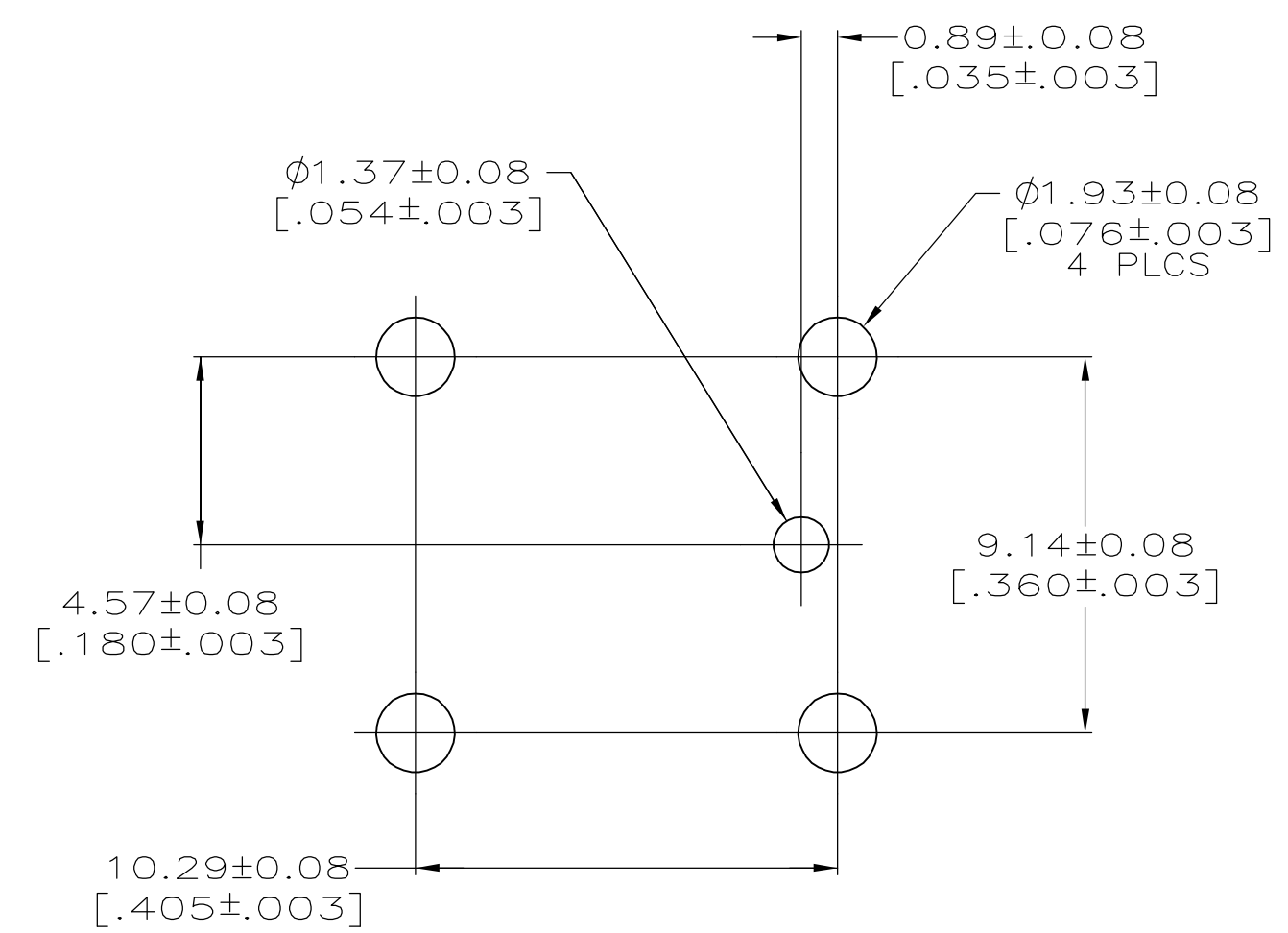
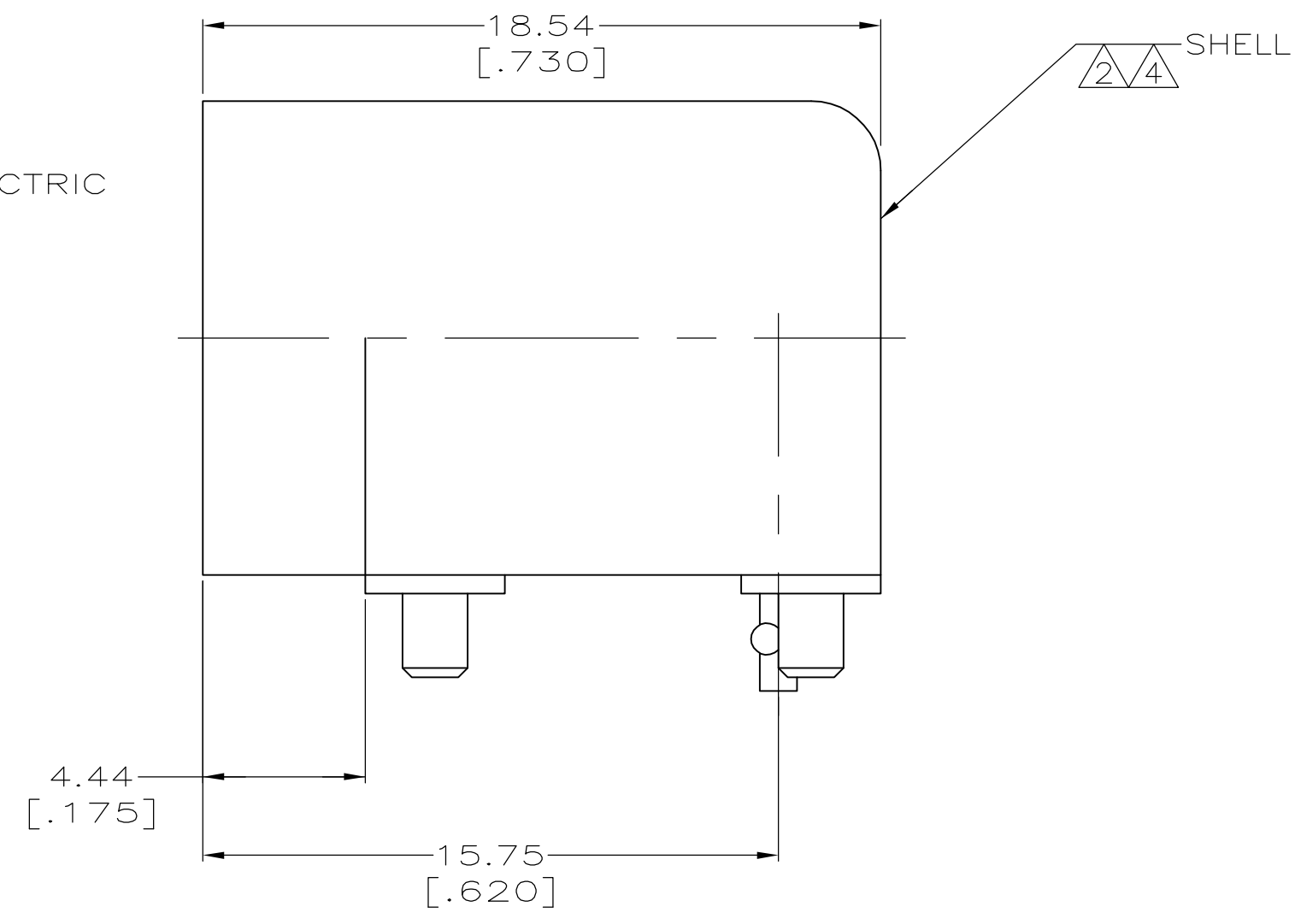
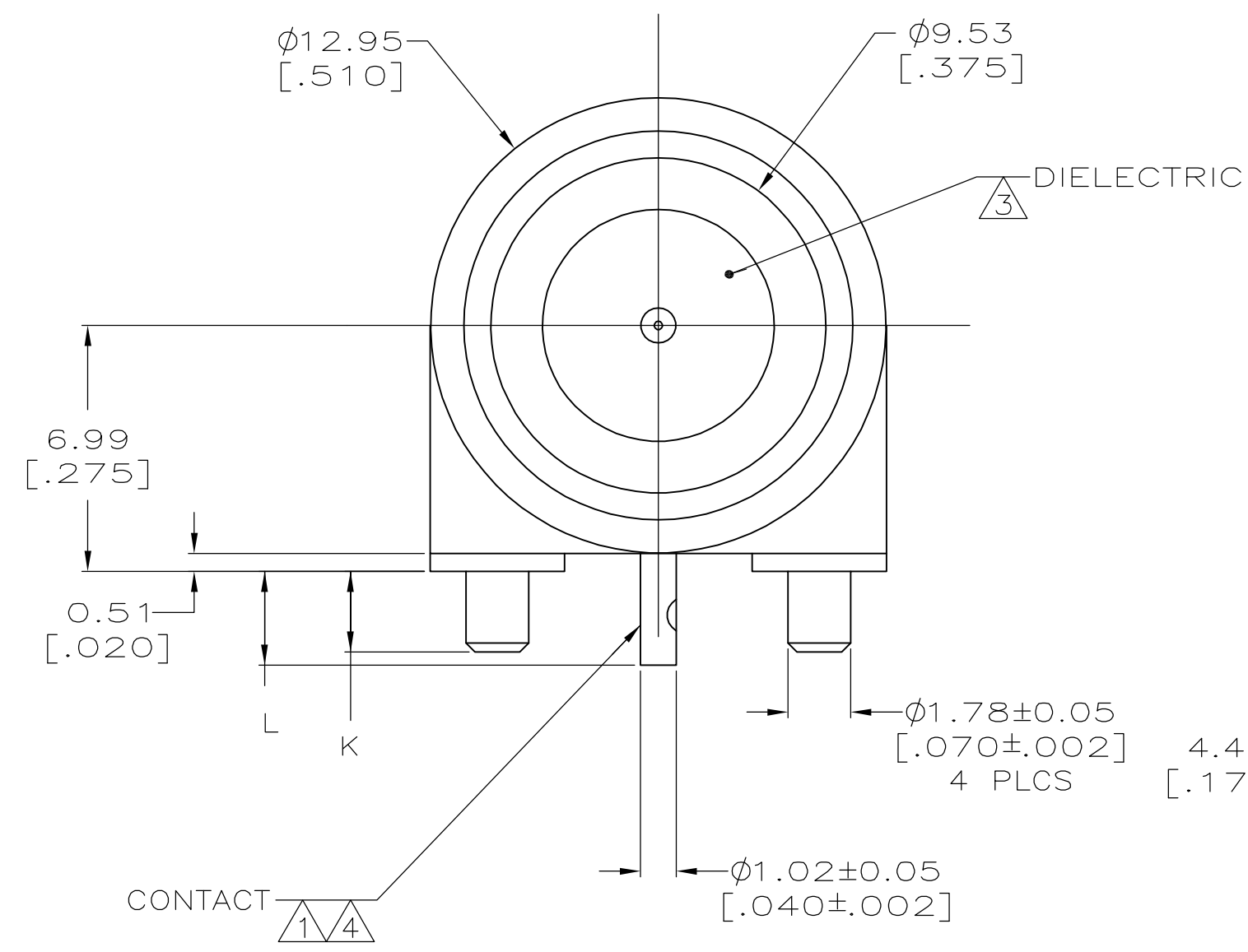


THIS DRAWING IS UNPUBLISHED. RELEASED FOR PUBLICATION  
 © COPYRIGHT 2005 BY TYCO ELECTRONICS CORPORATION. ALL RIGHTS RESERVED.

LOC	DIST	REVISIONS					
AJ	16	P	LTR	DESCRIPTION	DATE	DWN	APVD
		D		REVISED PER EC OS14-0457-04	03NOV05	TS	JL



PCB CONFIGURATION

- ① BRASS PER ASTM-B-16
- ② ZINC PER QQ-Z-363.
- ③ POLYPROPYLENE, GENERAL PURPOSE
- ④ TIN PLATE PER ASTM-B-545  
3.81  $\mu$ m [.000150] MINIMUM THICK.
- 5. TEST JACK INSERTION DEPTH TO BE .450 IN

	3.30 [.130]	3.30 [.130]	415406-2
OBSOLETE	-2.29 [.090]	2.67 [.105]	415406-1
	K	L	PART NUMBER

THIS DRAWING IS A CONTROLLED DOCUMENT.		DWN J. LIPPERT 29MAY96	Tyco Electronics Corporation Harrisburg, PA 17105-3608																			
DIMENSIONS: MM [INCHES]		CHK K. WEIDNER 04JUN96	Tyco Electronics																			
TOLERANCES UNLESS OTHERWISE SPECIFIED:		APVD K. WEIDNER 04JUN96	NAME TEST PLUG, PCB, RIGHT ANGLE, G SERIES																			
<table border="1"> <tr><td>0 PLC</td><td>±</td><td>-</td></tr> <tr><td>1 PLC</td><td>±</td><td>-</td></tr> <tr><td>2 PLC</td><td>±</td><td>-</td></tr> <tr><td>3 PLC</td><td>±</td><td>0.20 [.008]</td></tr> <tr><td>4 PLC</td><td>±</td><td>-</td></tr> <tr><td>ANGLES</td><td>±</td><td>-</td></tr> </table>		0 PLC	±	-	1 PLC	±	-	2 PLC	±	-	3 PLC	±	0.20 [.008]	4 PLC	±	-	ANGLES	±	-	PRODUCT SPEC -	SIZE A2	
0 PLC	±	-																				
1 PLC	±	-																				
2 PLC	±	-																				
3 PLC	±	0.20 [.008]																				
4 PLC	±	-																				
ANGLES	±	-																				
MATERIAL SEE NOTES 1-5		FINISH SEE NOTE 6	APPLICATION SPEC -	CAGE CODE 00779																		
		WEIGHT -	DRAWING NO G-415406	RESTRICTED TO -																		
CUSTOMER DRAWING			SCALE 6:1	SHEET 1 of 1																		
			REV D																			

415406