

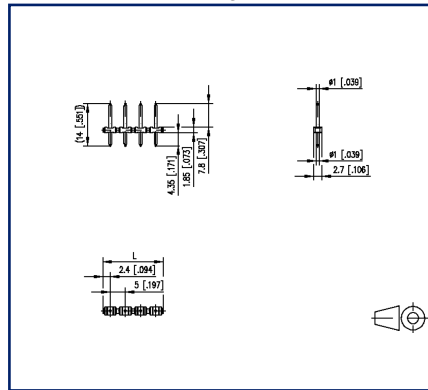
Data sheet

PR035xxVBHC Type 046

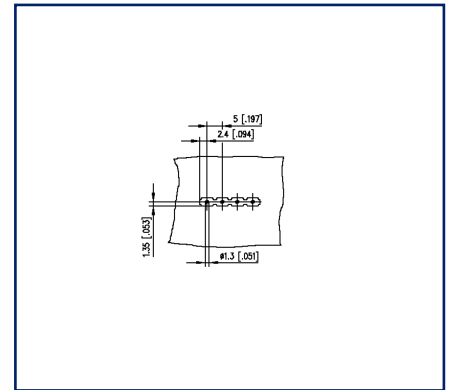
Illustrations



Dimensional drawing



Drill pattern



See enlarged drawings at the end of document

Product specification



- pin header, THR solderable
- centerline 5.00 mm, direction of connection vertical 0°
- fittable without loss of poles
- color black
- Tape & Reel packaging possible

Technical Data

General Data

Solder pin length	4.35 mm		
min. number of poles	2		
max. number of poles	24		
Insulating material class	CTI 400		
clearance/creepage dist.	4 mm		
Protection category	IP00		
Rated current	10 A		
Overvoltage category	III	III	II
Pollution degree	3	2	2
Rated voltage	250 V	500 V	500 V
Rated test voltage	4 kV	4 kV	4 kV

Approvals

 V / A	300 / 10
approval UL - File No.	E121004
 SEV Reg 130002	250 V / 4 kV / 13.5 A / 1.0 mm

Material

insulating material	PA46
flammability class	V0
contact pin material	CuZnPb
contact pin surface	Ni + Ag
Glow-Wire Flammability GWFI	-
Glow-Wire Flammability GWIT	-
REACH	compliant
REACH - substance (SVHC)	Lead / 7439-92-1

Climatic Data

upper limit temperature	105 °C
lower limit temperature	-40 °C

general

Tolerance	ISO 2768 -mH
Solderability	Acc. to IPC/JEDEC J-STD-020D-MSL 1

U | Contact

Data sheet

PR035xxVBHC Type 046

Page 3/5

P/N

310461xx**xx=number of poles**

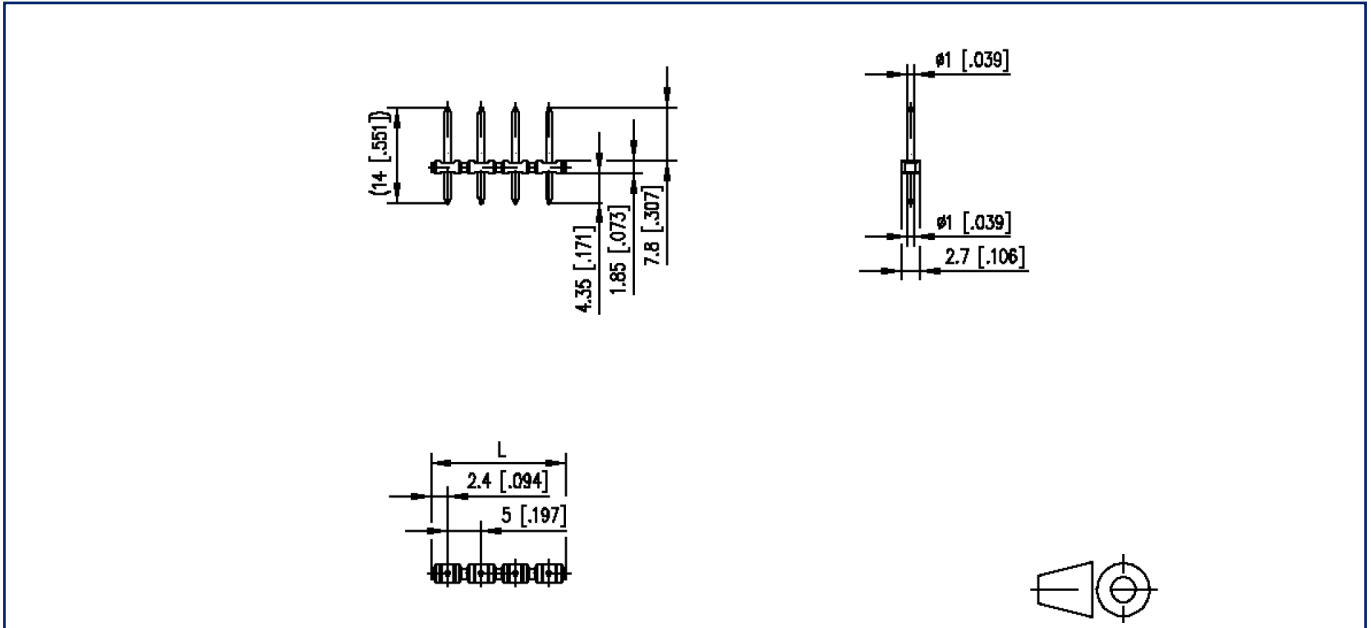
2022/08/29

Counterpart of

P/N	Designation
311571	RP095xxRBWC Type 157 with clip system
311571xx-002730	RP095xxBBWC Type 157 without ridge
311571xx-002740	RP095xxHBWC Typ 157 mit Steg
ASP145	SP145xxHBNC ASP145
ASP145XX22-301	SP145xxHBPC with finger push-button
ASP155	SP155xxHBNC ASP155
ASP155XX22-301	SP155xxHBPC with finger push-button
SP145XXHBNC	'SP145xxHBNC ASP145'

Illustrations

Dimensional drawing



$$L = (\text{pole size} - 1) \times \text{centerline} + 4.8 \text{ mm} [0.189]$$

U | Contact

Data sheet

PR035xxVBHC Type 046

Page 5/5

P/N

310461xx**xx=number of poles**

2022/08/29

Illustrations

Drill pattern

