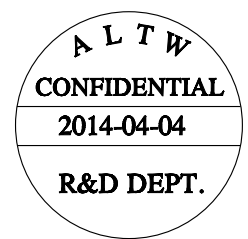
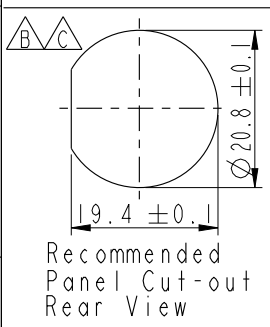
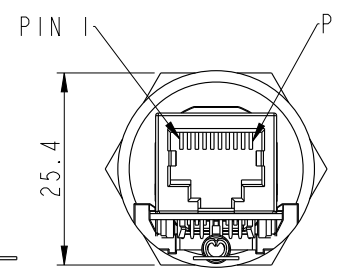
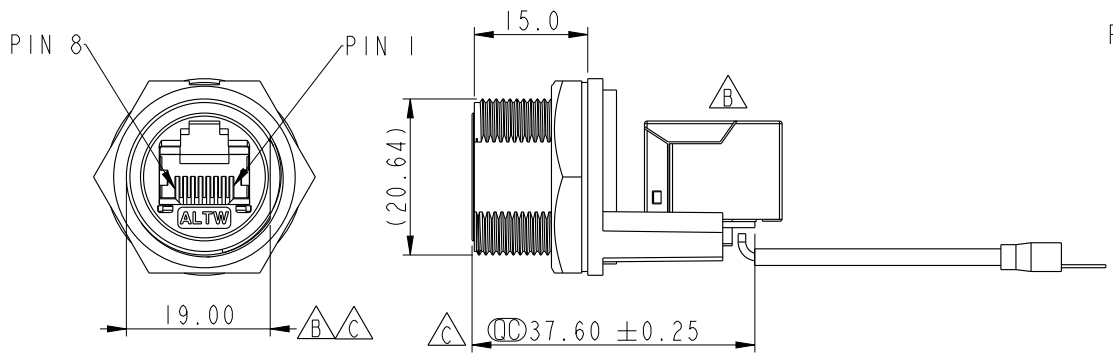
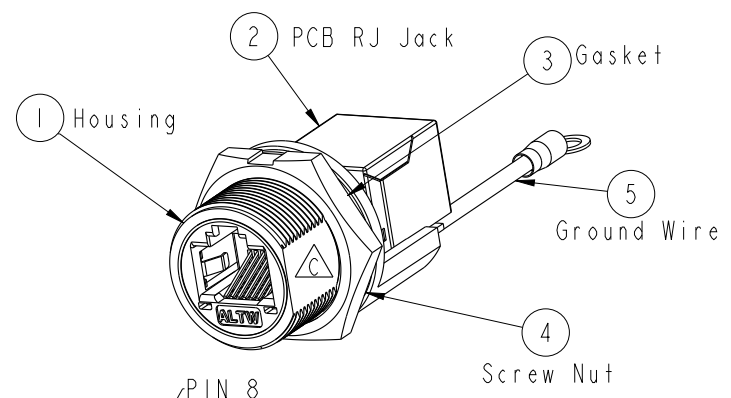
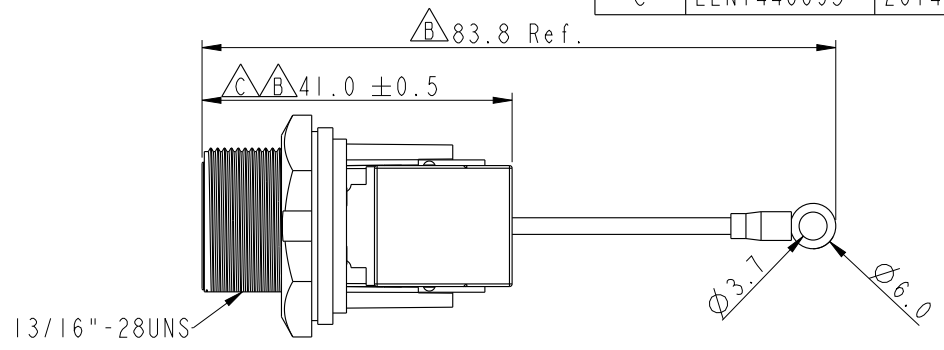


THIS DOCUMENT IS SUBJECT TO CHANGE WITHOUT NOTICE. IT IS CONFIDENTIAL AND A PROPERTY OF Amphenol LTW. DISCLOSURE TO THIRD PARTY HAS TO BE AUTHORIZED BY Amphenol LTW.

REV.	ECN NO.	DATE	SIGN	DESCRIPTION
B	LE313A0306	2013-09-07	Raison	Modify Jack, Note. Change H Cut
C	LEN1440093	2014-04-04	Tom_gu	Change H Cut To D Cut



- Note:
- * \varnothing Important Dimension
 - * Waterproof Rate : IP67 Mating
 - * Housing : Nylon+GF, UL 94V-0, BLACK
 - * Screw Nut : Nylon+GF, BLACK
 - $\triangle B$ * Gasket : Silicone, UL 94V-0, Gray.
 - * PCB: FR-4
 - $\triangle B$ * Jack : PBT Polyester UL 94V-0
 - $\triangle C$ * Ground Terminal: Brass, Tin Plated, Thickness: 0.4mm
 - * Use without Waterproof cap or Dust cap
For Panel Thickness Max: 4.2mm
 - * Use with Waterproof cap or Dust cap
For Panel Thickness Max: 3.0mm
 - $\triangle B$ * Screw torsion value range: 8~12kgf-cm

UNIT: mm		TITLE	RJ45, C SIZE, MATED WATERPROOF ADD GROUND WIRE	
TOLERANCE		SCALE	SIZE	SHEET OF
.X ±0.25		1:1	A4	1 OF 1
.XX ±0.1		REV.	WC-REV.	
.XXX ±0.05		C	B.4	\varnothing : Inspection item
ANGLES ±1°				

Amphenol LTW
安費諾亮泰企業股份有限公司

ITEM NO	RCP-5SPFFH-SCM7002	DRAWN BY	Tom_gu	DATE	2014-04-04
DWG NO	RCP-5SPFFH-SCM7002	CHECKED BY	Tony	DATE	2014-04-04
CUSTOMER	ALTW	APPROVED BY	Victor	DATE	2014-04-04