

FEATURES

- 256-channel, current-to-digital converter module
- Up to 24-bit resolution
- Variable integration time
 - Fastest integration time: 22.6 kSPS maximum (44.2 μ s minimum) at 20-bit resolution
- Low power dissipation: 2.3 mW per channel at any throughput
- Integral linearity
 - $\pm 0.050\%$ of reading, ± 1.0 ppm of FSR: all channels active
- Very low noise
- Simultaneous sampling
 - No dead time, no loss of charge, 100% charge collection
- User adjustable full-scale range
- On-board temperature sensor and reference buffer
- 15 mm \times 15 mm, CSP_BGA package
- Simple printed circuit board (PCB) design
 - Integrated capacitors for supply and reference decoupling
 - 0.80 mm pitch BGA allows low cost PCB technology
- Support tools
 - Evaluation board
 - Reference design with reference layout
 - FPGA Verilog code

APPLICATIONS

- Medical, industrial, and security CT scanner data acquisition
- Photodiode sensors
- Dosimetry and radiation therapy systems
- Optical fiber power monitoring
- X-ray detection systems
- High channel count data acquisition systems (current or voltage inputs)

GENERAL DESCRIPTION

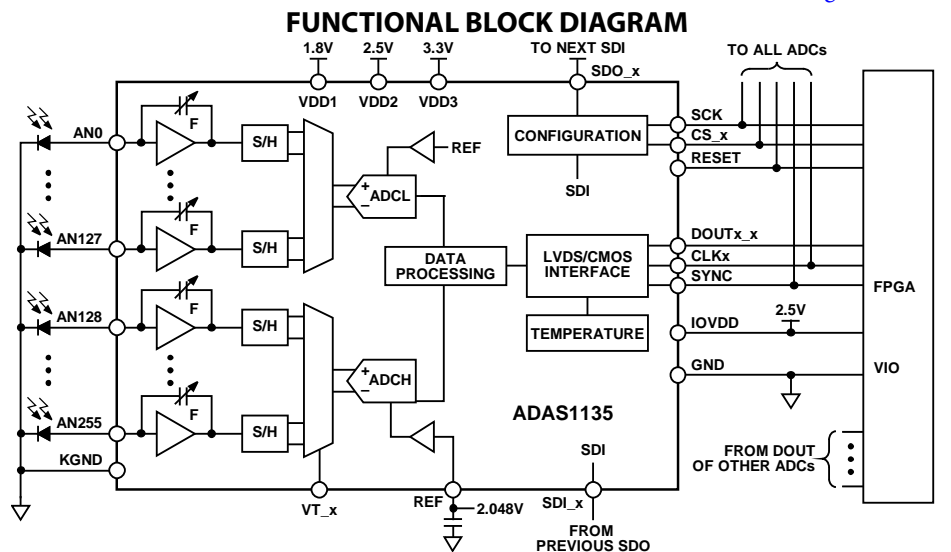
The [ADAS1135](#) is a 256-channel, current-to-digital, analog-to-digital converter (ADC) module. It contains 256 low power, low noise, low input current integrators, simultaneous sample-and-holds, and two high speed, high resolution ADCs with configurable sampling rate and resolutions of up to 24 bits. The signal chain and sampling architecture of the [ADAS1135](#) is designed to guarantee that all channels are simultaneously sampled, and that no charge is lost throughout the sampling process.

All converted channel results are output on a dual, low voltage differential signaling (LVDS), self clocked serial interface, which reduces external hardware.

An SPI-compatible serial interface allows configuration of the ADC using the SDI_x input. The SDO_x output allows the user to daisy-chain several ADCs on a single, 4-wire bus. The [ADAS1135](#) uses the separate supply, IOVDD, to reduce digital noise effect on the conversions.

The [ADAS1135](#) is in a 15 mm \times 15 mm, CSP_BGA package.

For more information on the [ADAS1135](#), contact Analog Devices, Inc., at: adas@analog.com.



Rev. SpC

Information furnished by Analog Devices is believed to be accurate and reliable. However, no responsibility is assumed by Analog Devices for its use, nor for any infringements of patents or other rights of third parties that may result from its use. Specifications subject to change without notice. No license is granted by implication or otherwise under any patent or patent rights of Analog Devices. Trademarks and registered trademarks are the property of their respective owners.

Document Feedback

NOTES