

### FEATURES

EIA RS-485-/RS-422-compliant

Data rate options

ADM4850/ADM4854—115 kbps

ADM4851/ADM4855—500 kbps

ADM4852/ADM4856—2.5 Mbps

ADM4853/ADM4857—10 Mbps

Half- and full-duplex options

Reduced slew rates for low EMI

True fail-safe receiver inputs

5  $\mu$ A (maximum) supply current in shutdown mode

Up to 256 transceivers on one bus

Outputs high-z when disabled or powered off

–7 V to +12 V bus common-mode range

Thermal shutdown and short-circuit protection

Pin-compatible with MAX308x

Specified over the –40°C to +85°C temperature range

Available in 8-lead SOIC and LFCSP packages

### APPLICATIONS

Low power RS-485 applications

EMI-sensitive systems

DTE-DCE interfaces

Industrial control

Packet switching

Local area networks

Level translators

### GENERAL DESCRIPTION

The ADM4850–ADM4857 are differential line transceivers suitable for high speed half- and full-duplex data communication on multipoint bus transmission lines. They are designed for balanced data transmission and comply with EIA Standards RS-485 and RS-422. The ADM4850–ADM4853 are half-duplex transceivers, which share differential lines and have separate enable inputs for the driver and receiver. The full-duplex ADM4854–ADM4857 transceivers have dedicated differential line driver outputs and receiver inputs.

The parts have a 1/8-unit-load receiver input impedance, which allows up to 256 transceivers on one bus. Since only one driver should be enabled at any time, the output of a disabled or powered-down driver is three-stated to avoid overloading the bus.

The receiver inputs have a true fail-safe feature, which ensures a logic high output level when the inputs are open or shorted. This guarantees that the receiver outputs are in a known state before communication begins and when communication ends.

#### Rev. 0

Information furnished by Analog Devices is believed to be accurate and reliable. However, no responsibility is assumed by Analog Devices for its use, nor for any infringements of patents or other rights of third parties that may result from its use. Specifications subject to change without notice. No license is granted by implication or otherwise under any patent or patent rights of Analog Devices. Trademarks and registered trademarks are the property of their respective owners.

### FUNCTIONAL BLOCK DIAGRAM

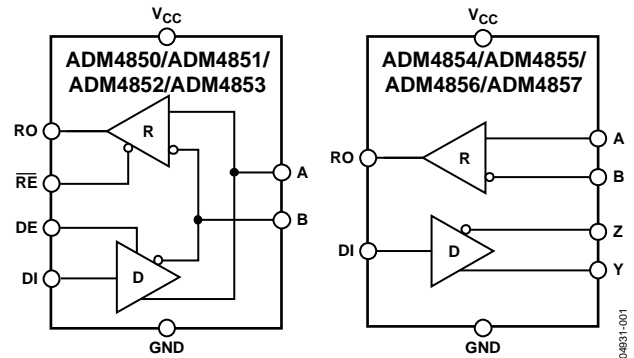


Figure 1.

The driver outputs are slew-rate limited to reduce EMI and data errors caused by reflections from improperly terminated buses. Excessive power dissipation caused by bus contention or by output shorting is prevented with a thermal shutdown circuit.

The parts are fully specified over the commercial and industrial temperature ranges, and are available in 8-lead SOIC and LFCSP packages.

Table 1. Selection Table

Part No	Half-/Full-Duplex	Data Rate
ADM4850	Half	115 kbps
ADM4851	Half	500 kbps
ADM4852	Half	2.5 Mbps
ADM4853	Half	10 Mbps
ADM4854	Full	115 kbp
ADM4855	Full	500 kbps
ADM4856	Full	2.5 Mbps
ADM4857	Full	10 Mbps

## TABLE OF CONTENTS

Specifications.....	3	Circuit Description.....	12
ADM4850/ADM4854 Timing Specifications.....	4	Slew-Rate Control .....	12
ADM4851/ADM4855 Timing Specifications.....	4	Receiver Input Filtering.....	12
ADM4852/ADM4856 Timing Specifications.....	5	Half-/Full-Duplex Operation .....	12
ADM4853/ADM4857 Timing Specifications.....	5	High Receiver Input Impedance .....	13
Absolute Maximum Ratings.....	6	Three-State Bus Connection.....	13
ESD Caution.....	6	Shutdown Mode .....	13
Pin Configurations and Function Descriptions .....	7	Fail-Safe Operation .....	13
Test Circuits.....	8	Current Limit and Thermal Shutdown .....	13
Switching Characteristics .....	9	Outline Dimensions .....	14
Typical Performance Characteristics .....	10	Ordering Guide .....	15

## REVISION HISTORY

10/04—Revision 0: Initial Version

## SPECIFICATIONS

$V = 5\text{ V} \pm 5\%$ ,  $T_A = T_{\text{MIN}}$  to  $T_{\text{MAX}}$ , unless otherwise noted.

Table 2.

Parameter	Min	Typ	Max	Unit	Test Conditions/Comments
<b>DRIVER</b>					
Differential Output Voltage, $V_{\text{OD}}$			$V_{\text{CC}}$	V	$R = \infty$ , Figure 4 <sup>1</sup>
	2.0		5	V	$R = 50\ \Omega$ (RS-422), Figure 4
	1.5		5	V	$R = 27\ \Omega$ (RS-485), Figure 4
	1.5		5	V	$V_{\text{TST}} = -7\text{ V}$ to $12\text{ V}$ , Figure 5
$\Delta V_{\text{OD}} $ for Complementary Output States			0.2	V	$R = 27\ \Omega$ or $50\ \Omega$ , Figure 4
Common-Mode Output Voltage, $V_{\text{O}}$			3	V	$R = 27\ \Omega$ or $50\ \Omega$ , Figure 4
$\Delta V_{\text{O}} $ for Complementary Output States			0.2	V	$R = 27\ \Omega$ or $50\ \Omega$ , Figure 4
Output Short-Circuit Current, $V_{\text{OUT}} = \text{High}$	-200		+200	mA	$-7\text{ V} < V_{\text{OUT}} < +12\text{ V}$
Output Short-Circuit Current, $V_{\text{OUT}} = \text{Low}$	-200		+200	mA	$-7\text{ V} < V_{\text{OUT}} < +12\text{ V}$
<b>DRIVER INPUT LOGIC</b>					
CMOS Input Logic Threshold Low		1.4	0.8	V	
CMOS Input Logic Threshold High	2.0	1.4		V	
CMOS Logic Input Current (DI)			$\pm 1$	$\mu\text{A}$	
DE Input Resistance to GND		220		k $\Omega$	
<b>RECEIVER</b>					
Differential Input Threshold Voltage, $V_{\text{TH}}$	-200	-125	-30	mV	$-7\text{ V} < V_{\text{M}} < +12\text{ V}$
Input Hysteresis		20		mV	$-7\text{ V} < V_{\text{M}} < +12\text{ V}$
Input Resistance (A, B)	96	150		k $\Omega$	$-7\text{ V} < V_{\text{M}} < +12\text{ V}$
Input Current (A, B)			0.125	mA	$V_{\text{IN}} = +12\text{ V}$
			-0.1	mA	$V_{\text{IN}} = -7\text{ V}$
CMOS Logic Input Current ( $\overline{\text{RE}}$ )			$\pm 1$	$\mu\text{A}$	
CMOS Output Voltage Low			0.4	V	$I_{\text{OUT}} = +4\text{ mA}$
CMOS Output Voltage High	4.0			V	$I_{\text{OUT}} = -4\text{ mA}$
Output Short Circuit Current	7		85	mA	$V_{\text{OUT}} = \text{GND}$ or $V_{\text{CC}}$
Three-State Output Leakage Current			$\pm 2$	$\mu\text{A}$	$0.4\text{ V} \leq V_{\text{OUT}} \leq 2.4\text{ V}$
<b>POWER SUPPLY CURRENT</b>					
$I$ (115 kbps Options)			5	$\mu\text{A}$	$\text{DE} = 0\text{ V}$ , $\overline{\text{RE}} = V_{\text{CC}}$ (shutdown)
		36	60	$\mu\text{A}$	$\text{DE} = 0\text{ V}$ , $\overline{\text{RE}} = 0\text{ V}$
		100	160	$\mu\text{A}$	$\text{DE} = V_{\text{CC}}$
$I$ (500 kbps Options)			5	$\mu\text{A}$	$\text{DE} = 0\text{ V}$ , $\overline{\text{RE}} = V_{\text{CC}}$ (shutdown)
		80	120	$\mu\text{A}$	$\text{DE} = 0\text{ V}$ , $\overline{\text{RE}} = 0\text{ V}$
		120	200	$\mu\text{A}$	$\text{DE} = V_{\text{CC}}$
$I$ (2.5 Mbps Options)			5	$\mu\text{A}$	$\text{DE} = 0\text{ V}$ , $\overline{\text{RE}} = V_{\text{CC}}$ (shutdown)
		250	400	$\mu\text{A}$	$\text{DE} = 0\text{ V}$ , $\overline{\text{RE}} = 0\text{ V}$
		320	500	$\mu\text{A}$	$\text{DE} = V_{\text{CC}}$
$I$ (10 Mbps Options)			5	$\mu\text{A}$	$\text{DE} = 0\text{ V}$ , $\overline{\text{RE}} = V_{\text{CC}}$ (shutdown)
		250	400	$\mu\text{A}$	$\text{DE} = 0\text{ V}$ , $\overline{\text{RE}} = 0\text{ V}$
		320	500	$\mu\text{A}$	$\text{DE} = V_{\text{CC}}$

<sup>1</sup> Guaranteed by design.

# ADM4850–ADM4857

## ADM4850/ADM4854 TIMING SPECIFICATIONS

V = 5 V ± 5%, T<sub>A</sub> = T<sub>MIN</sub> to T<sub>MAX</sub>, unless otherwise noted.

Table 3.

Parameter	Min	Typ	Max	Unit	Test Conditions/Comments
<b>DRIVER</b>					
Maximum Data Rate	115			kbps	
Propagation Delay t <sub>PLH</sub> , t <sub>PHL</sub>	600		2500	ns	R <sub>LDIFF</sub> = 54 Ω, C <sub>L1</sub> = C <sub>L2</sub> = 100 pF, Figure 6
Skew t <sub>SKEW</sub>			70	ns	R <sub>LDIFF</sub> = 54 Ω, C <sub>L1</sub> = C <sub>L2</sub> = 100 pF, Figure 6
Rise/Fall Time t <sub>R</sub> , t <sub>F</sub>	600		2400	ns	R <sub>LDIFF</sub> = 54 Ω, C <sub>L1</sub> = C <sub>L2</sub> = 100 pF, Figure 6
Enable Time			2000	ns	R <sub>L</sub> = 500 Ω, C <sub>L</sub> = 100 pF, Figure 7, ADM4850
Disable Time			2000	ns	R <sub>L</sub> = 500 Ω, C <sub>L</sub> = 15 pF, Figure 7, ADM4850
Enable Time from Shutdown		4000		ns	R <sub>L</sub> = 500 Ω, C <sub>L</sub> = 100 pF, Figure 7, ADM4850
<b>RECEIVER</b>					
Propagation Delay t <sub>PLH</sub> , t <sub>PHL</sub>	400		1000	ns	C <sub>L</sub> = 15 pF, Figure 8
Differential Skew t <sub>SKEW</sub>			255	ns	C <sub>L</sub> = 15 pF, Figure 8
Enable Time		5	50	ns	R <sub>L</sub> = 1 kΩ, C <sub>L</sub> = 15 pF, Figure 9, ADM4850
Disable Time		20	50	ns	R <sub>L</sub> = 1 kΩ, C <sub>L</sub> = 15 pF, Figure 9, ADM4850
Enable Time from Shutdown		4000		ns	R <sub>L</sub> = 1 kΩ, C <sub>L</sub> = 15 pF, Figure 9, ADM4850
Time to Shut Down	50	330	3000	ns	ADM4850 <sup>1</sup>

<sup>1</sup> The half-duplex device is put into shutdown mode by driving  $\overline{RE}$  high and DE low. If these inputs are in this state for less than 50 ns, the device is guaranteed not to enter shutdown mode. If the enable inputs are in this state for at least 3000 ns, the device is guaranteed to enter shutdown mode.

## ADM4851/ADM4855 TIMING SPECIFICATIONS

V = 5 V ± 5%, T<sub>A</sub> = T<sub>MIN</sub> to T<sub>MAX</sub>, unless otherwise noted.

Table 4.

Parameter	Min	Typ	Max	Unit	Test Conditions/Comments
<b>DRIVER</b>					
Maximum Data Rate	500			kbps	
Propagation Delay t <sub>PLH</sub> , t <sub>PHL</sub>	250		600	ns	R <sub>LDIFF</sub> = 54 Ω, C <sub>L1</sub> = C <sub>L2</sub> = 100 pF, Figure 6
Skew t <sub>SKEW</sub>			40	ns	R <sub>LDIFF</sub> = 54 Ω, C <sub>L1</sub> = C <sub>L2</sub> = 100 pF, Figure 6
Rise/Fall Time t <sub>R</sub> , t <sub>F</sub>	200		600	ns	R <sub>LDIFF</sub> = 54 Ω, C <sub>L1</sub> = C <sub>L2</sub> = 100 pF, Figure 6
Enable Time			1000	ns	R <sub>L</sub> = 500 Ω, C <sub>L</sub> = 100 pF, Figure 7, ADM4851
Disable Time			1000	ns	R <sub>L</sub> = 500 Ω, C <sub>L</sub> = 15 pF, Figure 7, ADM4851
Enable Time from Shutdown		4000		ns	R <sub>L</sub> = 500 Ω, C <sub>L</sub> = 100 pF, Figure 7, ADM4851
<b>RECEIVER</b>					
Propagation Delay t <sub>PLH</sub> , t <sub>PHL</sub>	400		1000	ns	C <sub>L</sub> = 15 pF, Figure 8
Differential Skew t <sub>SKEW</sub>			250	ns	C <sub>L</sub> = 15 pF, Figure 8
Enable Time		5	50	ns	R <sub>L</sub> = 1 kΩ, C <sub>L</sub> = 15 pF, Figure 9, ADM4851
Disable Time		20	50	ns	R <sub>L</sub> = 1 kΩ, C <sub>L</sub> = 15 pF, Figure 9, ADM4851
Enable Time from Shutdown		4000		ns	R <sub>L</sub> = 1 kΩ, C <sub>L</sub> = 15 pF, Figure 9, ADM4851
Time to Shut Down	50	330	3000	ns	ADM4851 <sup>1</sup>

<sup>1</sup> The half-duplex device is put into shutdown mode by driving  $\overline{RE}$  high and DE low. If these inputs are in this state for less than 50 ns, the device is guaranteed not to enter shutdown mode. If the enable inputs are in this state for at least 3000 ns, the device is guaranteed to enter shutdown mode.

**ADM4852/ADM4856 TIMING SPECIFICATIONS**

$V = 5\text{ V} \pm 5\%$ ,  $T_A = T_{\text{MIN}}$  to  $T_{\text{MAX}}$ , unless otherwise noted.

**Table 5.**

Parameter	Min	Typ	Max	Unit	Test Conditions/Comments
<b>DRIVER</b>					
Maximum Data Rate	2.5			Mbps	
Propagation Delay $t_{\text{PLH}}$ , $t_{\text{PHL}}$	50		180	ns	$R_{\text{LDIFF}} = 54\ \Omega$ , $C_{\text{L1}} = C_{\text{L2}} = 100\ \text{pF}$ , Figure 6
Skew $t_{\text{SKEW}}$			50	ns	$R_{\text{LDIFF}} = 54\ \Omega$ , $C_{\text{L1}} = C_{\text{L2}} = 100\ \text{pF}$ , Figure 6
Rise/Fall Time $t_{\text{R}}$ , $t_{\text{F}}$			140	ns	$R_{\text{LDIFF}} = 54\ \Omega$ , $C_{\text{L1}} = C_{\text{L2}} = 100\ \text{pF}$ , Figure 6
Enable Time			180	ns	$R_{\text{L}} = 500\ \Omega$ , $C_{\text{L}} = 100\ \text{pF}$ , Figure 7, ADM4852
Disable Time			180	ns	$R_{\text{L}} = 500\ \Omega$ , $C_{\text{L}} = 15\ \text{pF}$ , Figure 7, ADM4852
Enable Time from Shutdown		4000		ns	$R_{\text{L}} = 500\ \Omega$ , $C_{\text{L}} = 100\ \text{pF}$ , Figure 7, ADM4852
<b>RECEIVER</b>					
Propagation Delay $t_{\text{PLH}}$ , $t_{\text{PHL}}$	55		190	ns	$C_{\text{L}} = 15\ \text{pF}$ , Figure 8
Differential Skew $t_{\text{SKEW}}$			50	ns	$C_{\text{L}} = 15\ \text{pF}$ , Figure 8
Enable Time		5	50	ns	$R_{\text{L}} = 1\ \text{k}\Omega$ , $C_{\text{L}} = 15\ \text{pF}$ , Figure 9, ADM4852
Disable Time		20	50	ns	$R_{\text{L}} = 1\ \text{k}\Omega$ , $C_{\text{L}} = 15\ \text{pF}$ , Figure 9, ADM4852
Enable Time from Shutdown		4000		ns	$R_{\text{L}} = 1\ \text{k}\Omega$ , $C_{\text{L}} = 15\ \text{pF}$ , Figure 9, ADM4852
Time to Shut Down	50	330	3000	ns	ADM4852 <sup>1</sup>

<sup>1</sup> The half-duplex device is put into shutdown mode by driving  $\overline{\text{RE}}$  high and DE low. If these inputs are in this state for less than 50 ns, the device is guaranteed not to enter shutdown mode. If the enable inputs are in this state for at least 3000 ns, the device is guaranteed to enter shutdown mode.

**ADM4853/ADM4857 TIMING SPECIFICATIONS**

$V = 5\text{ V} \pm 5\%$ ,  $T_A = T_{\text{MIN}}$  to  $T_{\text{MAX}}$ , unless otherwise noted.

**Table 6.**

Parameter	Min	Typ	Max	Unit	Test Conditions/Comments
<b>DRIVER</b>					
Maximum Data Rate	10			Mbps	
Propagation Delay $t_{\text{PLH}}$ , $t_{\text{PHL}}$	0		30	ns	$R_{\text{LDIFF}} = 54\ \Omega$ , $C_{\text{L1}} = C_{\text{L2}} = 100\ \text{pF}$ , Figure 6
Skew $t_{\text{SKEW}}$			10	ns	$R_{\text{LDIFF}} = 54\ \Omega$ , $C_{\text{L1}} = C_{\text{L2}} = 100\ \text{pF}$ , Figure 6
Rise/Fall Time $t_{\text{R}}$ , $t_{\text{F}}$			30	ns	$R_{\text{LDIFF}} = 54\ \Omega$ , $C_{\text{L1}} = C_{\text{L2}} = 100\ \text{pF}$ , Figure 6
Enable Time			35	ns	$R_{\text{L}} = 500\ \Omega$ , $C_{\text{L}} = 100\ \text{pF}$ , Figure 7, ADM4853
Disable Time			35	ns	$R_{\text{L}} = 500\ \Omega$ , $C_{\text{L}} = 15\ \text{pF}$ , Figure 7, ADM4853
Enable Time from Shutdown		4000		ns	$R_{\text{L}} = 500\ \Omega$ , $C_{\text{L}} = 100\ \text{pF}$ , Figure 7, ADM4853
<b>RECEIVER</b>					
Propagation Delay $t_{\text{PLH}}$ , $t_{\text{PHL}}$	55		190	ns	$C_{\text{L}} = 15\ \text{pF}$ , Figure 8
Differential Skew $t_{\text{SKEW}}$			30	ns	$C_{\text{L}} = 15\ \text{pF}$ , Figure 8
Enable Time		5	50	ns	$R_{\text{L}} = 1\ \text{k}\Omega$ , $C_{\text{L}} = 15\ \text{pF}$ , Figure 9, ADM4853
Disable Time		20	50	ns	$R_{\text{L}} = 1\ \text{k}\Omega$ , $C_{\text{L}} = 15\ \text{pF}$ , Figure 9, ADM4853
Enable Time from Shutdown		4000		ns	$R_{\text{L}} = 1\ \text{k}\Omega$ , $C_{\text{L}} = 15\ \text{pF}$ , Figure 9, ADM4853
Time to Shut Down	50	330	3000	ns	ADM4853 <sup>1</sup>

<sup>1</sup> The half-duplex device is put into shutdown mode by driving  $\overline{\text{RE}}$  high and DE low. If these inputs are in this state for less than 50 ns, the device is guaranteed not to enter shutdown mode. If the enable inputs are in this state for at least 3000 ns, the device is guaranteed to enter shutdown mode.

## ABSOLUTE MAXIMUM RATINGS

Table 7.

Parameter	Rating
V <sub>CC</sub> to GND	6 V
Digital I/O Voltage (DE, RE, DI, ROU <sub>T</sub> )	–0.3 V to V <sub>CC</sub> + 0.3 V
Driver Output/Receiver Input Voltage	–9 V to +14 V
Operating Temperature Range	–40°C to +85°C
Storage Temperature Range	–65°C to +125°C
θ <sub>JA</sub> Thermal Impedance	
SOIC	110°C/W
LFCSP	62°C/W
Lead Temperature	
Soldering (10 s)	300°C
Vapour Phase (60 s)	215°C
Infrared (15 s)	220°C

Stresses above those listed under Absolute Maximum Ratings may cause permanent damage to the device. This is a stress rating only; functional operation of the device at these or any other conditions above those indicated in the operational section of this specification is not implied. Exposure to absolute maximum rating conditions for extended periods may affect device reliability.

### ESD CAUTION

ESD (electrostatic discharge) sensitive device. Electrostatic charges as high as 4000 V readily accumulate on the human body and test equipment and can discharge without detection. Although this product features proprietary ESD protection circuitry, permanent damage may occur on devices subjected to high energy electrostatic discharges. Therefore, proper ESD precautions are recommended to avoid performance degradation or loss of functionality.



## PIN CONFIGURATIONS AND FUNCTION DESCRIPTIONS

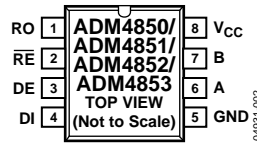


Figure 2. ADM4850–ADM4853 Pin Configuration

Table 8. ADM4850–ADM4853 Pin Descriptions

Pin No.	Mnemonic	Description
1	RO	Receiver Output. When enabled, if $(A-B) \geq -30$ mV, then RO = high. If $(A-B) \leq -200$ mV, then RO = low.
2	$\overline{RE}$	Receiver Output Enable. A low level enables the receiver output, RO. A high level places it in a high impedance state.
3	DE	Driver Output Enable. A high level enables the driver differential inputs A and B. A low level places it in a high impedance state.
4	DI	Driver Input. When the driver is enabled, a logic low on DI forces A low and B high, while a logic high on DI forces A high and B low.
5	GND	Ground.
6	A	Noninverting Receiver Input A/Driver Output A.
7	B	Inverting Receiver Input B/Driver Output B.
8	V <sub>CC</sub>	5 V Power Supply.

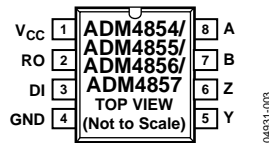


Figure 3. ADM4854–ADM4857 Pin Configuration

Table 9. ADM4854–ADM4857 Pin Descriptions

Pin No.	Mnemonic	Description
1	V <sub>CC</sub>	5 V Power Supply.
2	RO	Receiver Output. When enabled, if $(A-B) \geq -30$ mV, then RO = high. If $(A-B) \leq -200$ mV, then RO = low.
3	DI	Driver Input. When the driver is enabled, a logic low on DI forces Y low and Z high, while a logic high on DI forces Y high and Z low.
4	GND	Ground.
5	Y	Driver Noninverting Output.
6	Z	Driver Inverting Output.
7	B	Receiver Inverting Input.
8	A	Receiver Noninverting Input.

TEST CIRCUITS

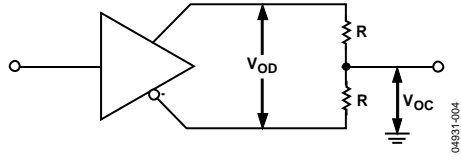


Figure 4. Driver Voltage Measurement

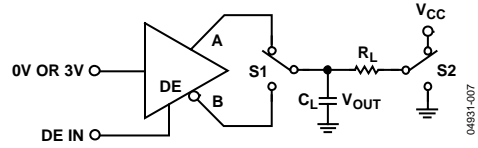


Figure 7. Driver Enable/Disable

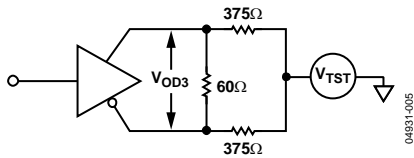


Figure 5. Driver Voltage Measurement over Common-Mode Voltage Range

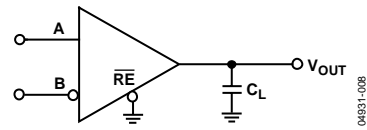


Figure 8. Receiver Propagation Delay

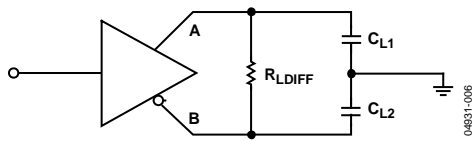


Figure 6. Driver Propagation Delay

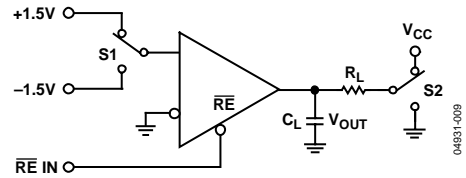


Figure 9. Receiver Enable/Disable



# SWITCHING CHARACTERISTICS

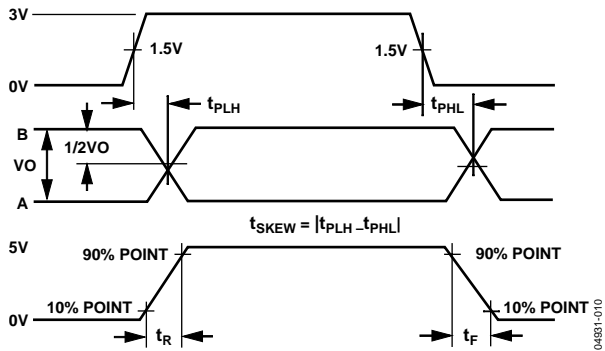


Figure 10. Driver Propagation Delay, Rise/Fall Timing

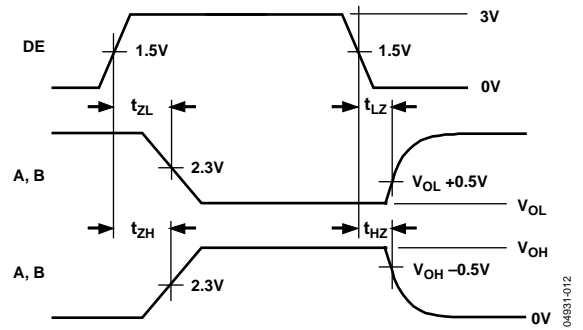


Figure 12. Driver Enable/Disable Timing

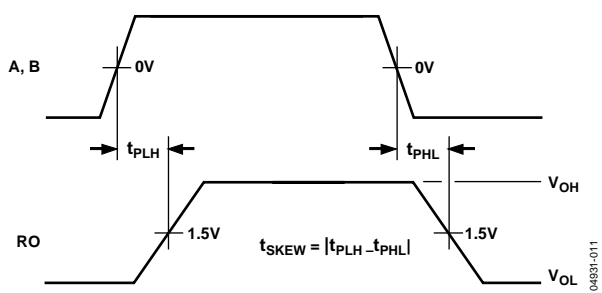


Figure 11. Receiver Propagation Delay

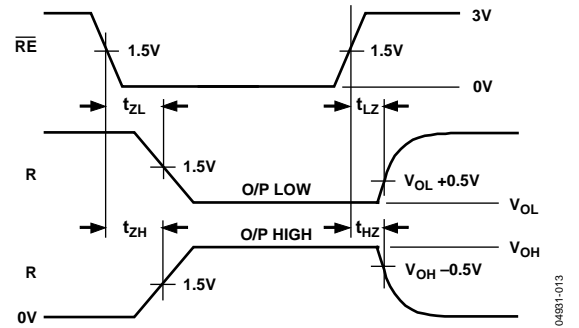


Figure 13. Receiver Enable/Disable Timing

## TYPICAL PERFORMANCE CHARACTERISTICS

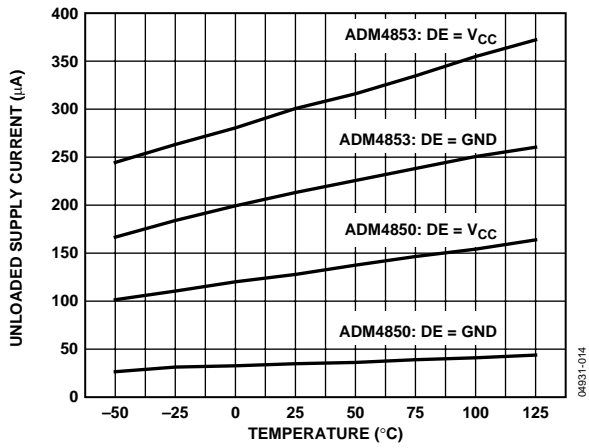


Figure 14. Unloaded Supply Current vs. Temperature

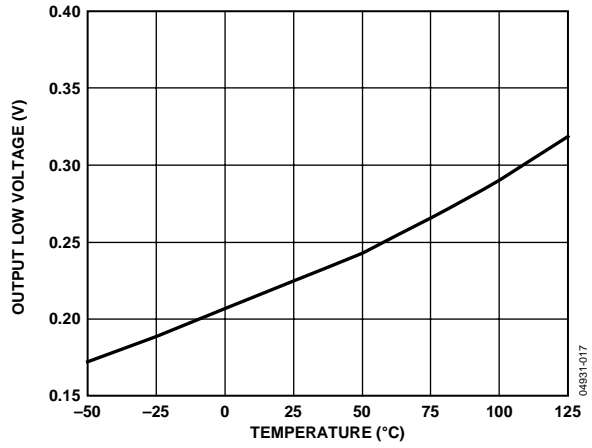


Figure 17. Receiver Output Low Voltage vs. Temperature

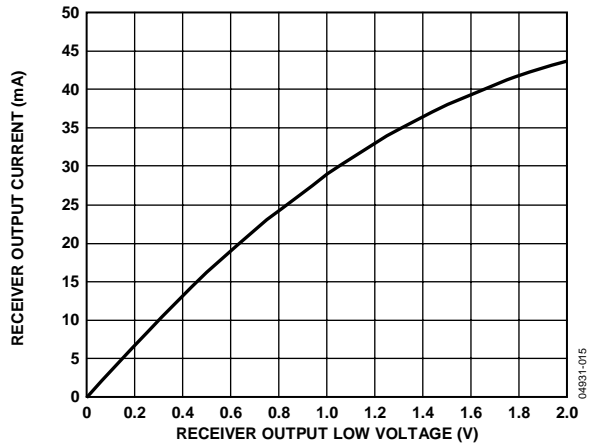


Figure 15. Output Current vs. Receiver Output Low Voltage

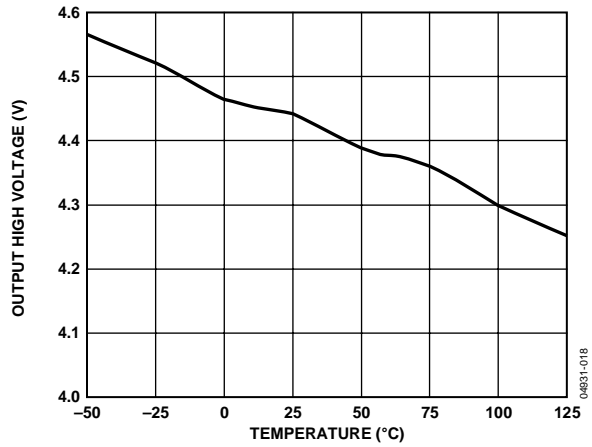


Figure 18. Receiver Output High Voltage Temperature

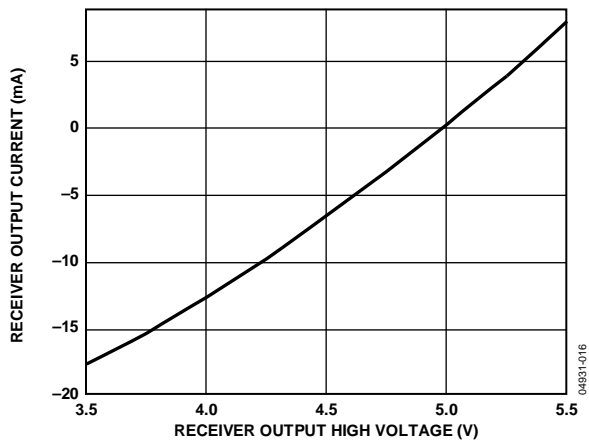


Figure 16. Output Current vs. Receiver Output High Voltage

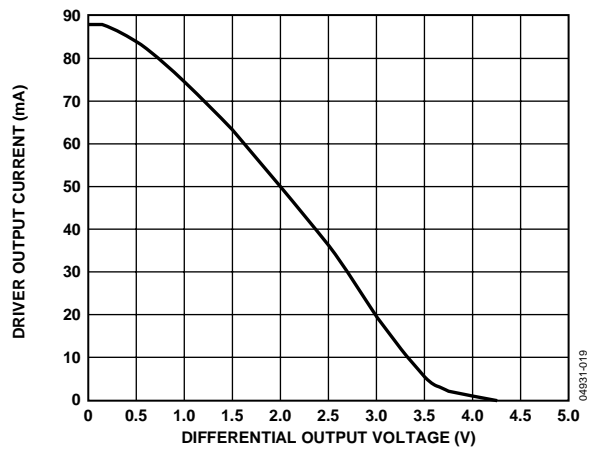


Figure 19. Driver Output Current vs. Differential Output Voltage

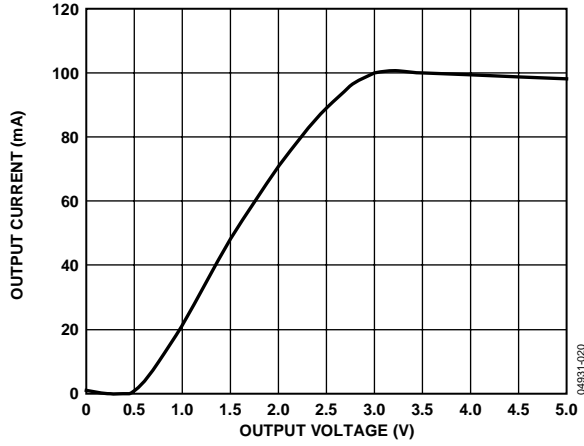


Figure 20. Output Current vs. Driver Low Voltage

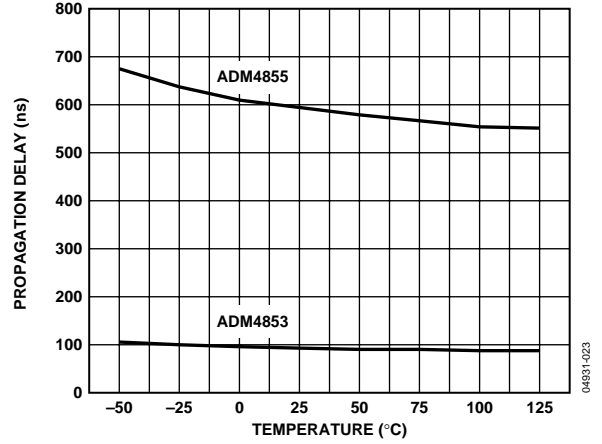


Figure 23. Receiver Propagation Delay vs. Temperature

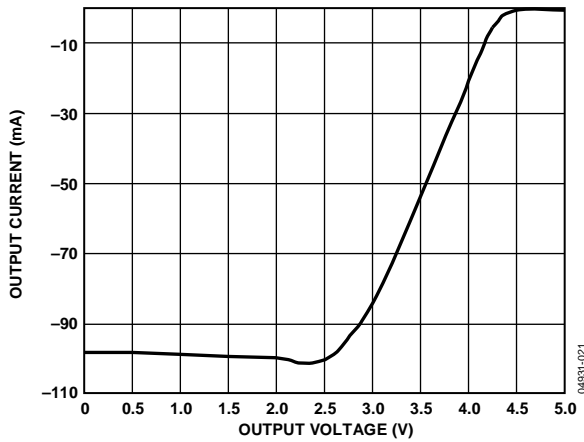


Figure 21. Output Current vs. Driver Output High Voltage

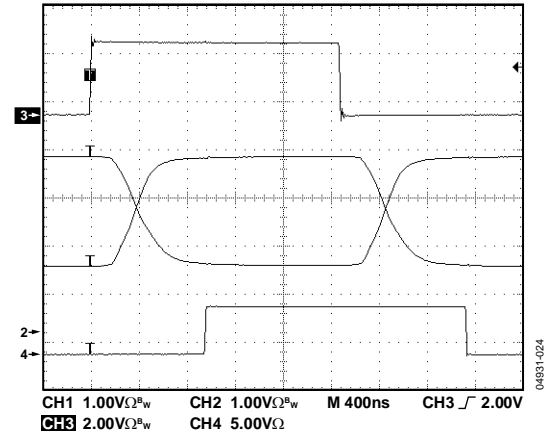


Figure 24. Driver/Receiver Propagation Delay (ADM4855, 500 kbps)

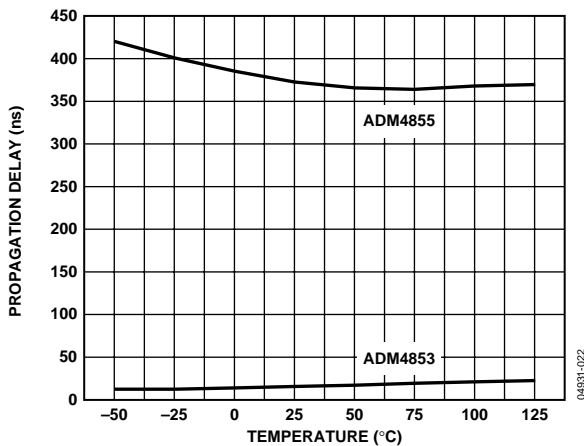


Figure 22. Driver Propagation Delay vs. Temperature

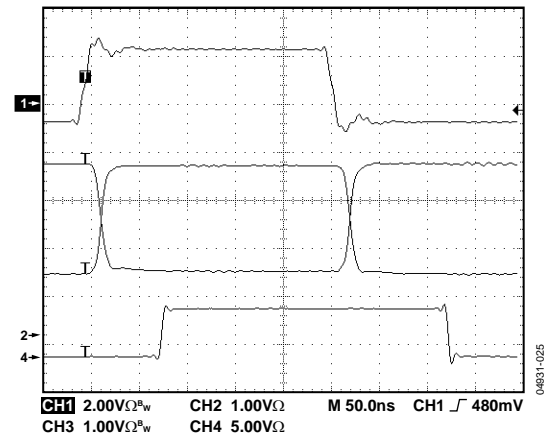


Figure 25. Driver/Receiver Propagation Delay (ADM4855, 4 Mbps)

# ADM4850–ADM4857

## CIRCUIT DESCRIPTION

The ADM4850–ADM4857 are high speed RS-485/RS-422 transceivers offering enhanced performance over industry-standard devices. All devices in the family contain one driver and one receiver, but offer a choice of performance options. The devices feature true fail-safe operation, which means that a logic high receiver output is guaranteed when the receiver inputs are open-circuit or short-circuit, or when they are connected to a terminated transmission line with all drivers disabled (see the Fail-Safe Operation section).

### SLEW-RATE CONTROL

The ADM4850/ADM4854 feature a controlled slew-rate driver that minimizes electromagnetic interference (EMI) and reduces reflections caused by incorrectly terminated cables, allowing error-free data transmission rates up to 115 kbps. The ADM4851/ADM4855 offer a higher limit on driver output slew rate, allowing data transmission rates up to 500 kbps. The driver slew rates of the ADM4852/ADM4856 and the ADM4853/ADM4857 are not limited, offering data transmission rates up to 2.5 Mbps and 10 Mbps, respectively.

### RECEIVER INPUT FILTERING

The receivers of all the devices incorporate input hysteresis. In addition, the receivers of the 115 kbps ADM4850/ADM485 and the 500 kbps ADM4851/ADM4855 incorporate input filtering. This enhances noise immunity with differential signals that have very slow rise and fall times. However, it causes the propagation delay to increase by 20%.

### HALF-/FULL-DUPLEX OPERATION

Half-duplex operation implies that the transceiver can transmit and receive, but it can only do one of these at any given time. However, with full-duplex operation, the transceiver can transmit and receive simultaneously. The ADM4850–ADM4853 are half-duplex devices in which the driver and receiver share differential bus terminals. The ADM4854–ADM4857 are full-duplex devices, which have dedicated driver output and receiver input pins. Figure 26 and Figure 27 show typical half- and full-duplex topologies.

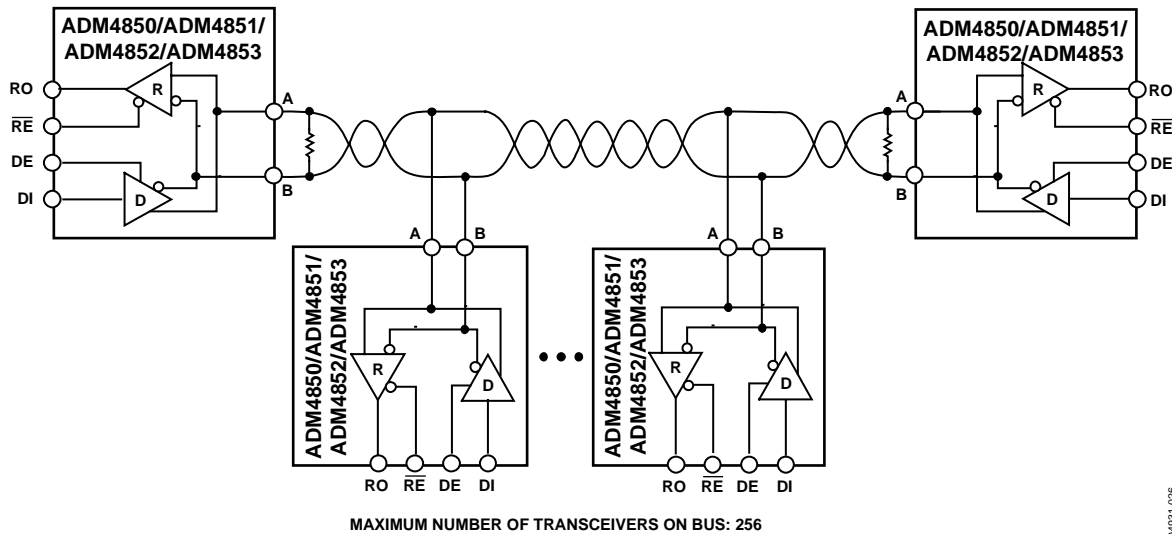


Figure 26. Typical Half-Duplex RS-485 Network Topology

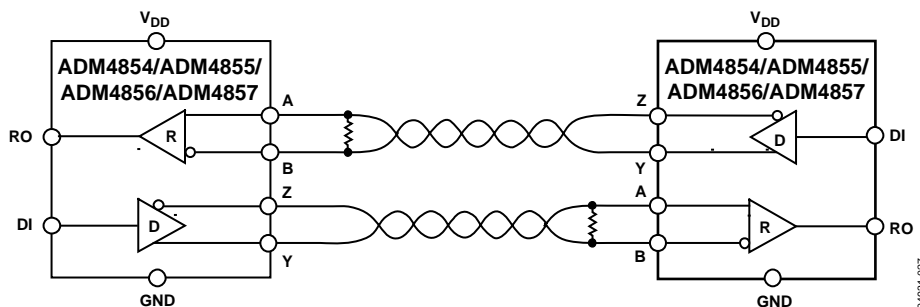


Figure 27. Typical Full-Duplex Point-to-Point RS-485 Network Topology

### HIGH RECEIVER INPUT IMPEDANCE

The input impedance of the ADM485x receivers is 96 k $\Omega$ , which is 8 times higher than the standard RS-485 unit load of 12 k $\Omega$ . This 96 k $\Omega$  impedance, enables a standard driver to drive 32 unit loads or be connected to 256 ADM485x receivers. An RS-485 bus, driven by a single standard driver, can be connected to a combination of ADM485x and standard unit load receivers, up to an equivalent of 32 standard unit loads.

### THREE-STATE BUS CONNECTION

The half-duplex parts have a driver enable (DE) pin that enables the driver outputs when taken high, or puts the driver outputs into a high impedance state when taken low. Similarly, the half-duplex devices have an active-low receiver enable ( $\overline{\text{RE}}$ ) pin.

Taking this pin low enables the receiver, while taking it high puts the receiver outputs into a high impedance state. This allows several driver outputs to be connected to an RS-485 bus. Note that only one driver should be enabled at a time, while many receivers can be enabled.

### SHUTDOWN MODE

The ADM4850–ADM4853 have a low power shutdown mode, which is enabled by taking  $\overline{\text{RE}}$  high and DE low. If shutdown mode is not used, the fact that DE is active high and  $\overline{\text{RE}}$  is active low offers a convenient way of switching the device between transmit and receive by tying DE and  $\overline{\text{RE}}$  together.

The devices are guaranteed not to enter shutdown mode if DE and  $\overline{\text{RE}}$  are driven in this way. If DE is low and  $\overline{\text{RE}}$  is high for less than 50 ns, the device does not enter shutdown mode. If DE is low and  $\overline{\text{RE}}$  is high for less than 3000 ns, the device is guaranteed to enter shutdown mode.

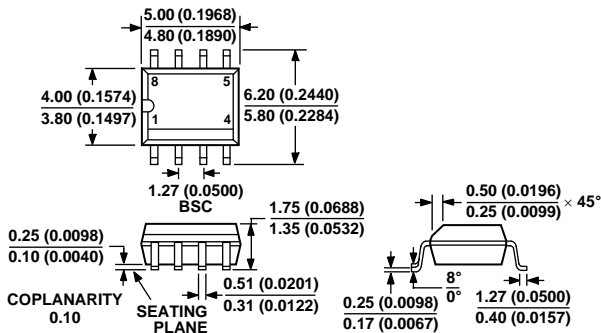
### FAIL-SAFE OPERATION

The ADM4850–ADM4857 offer true fail-safe operation while remaining fully compliant with the  $\pm 200$  mV EIA/TIA-485 standard. A logic-high receiver output is generated when the receiver inputs are shorted together or open-circuit, or when they are connected to a terminated transmission line with all drivers disabled. This is done by setting the receiver threshold between  $-30$  mV and  $-200$  mV. If the differential receiver input voltage (A-B) is greater than or equal to  $-30$  mV, RO is logic high. If A-B is less than or equal to  $-200$  mV, RO is logic low. In the case of a terminated bus with all transmitters disabled, the receiver's differential input voltage is pulled to 0 V by the ADM485x's internal circuitry, which results in a logic high with 30 mV minimum noise margin.

### CURRENT LIMIT AND THERMAL SHUTDOWN

The ADM485x incorporates two protection mechanisms to guard the drivers against short circuits, bus contention, or other fault conditions. The first is a current-limiting output stage, which protects the driver against short circuits over the entire common-mode voltage range by limiting the output current to approximately 70 mA. Under extreme fault conditions where the current limit is not effective, a thermal shutdown circuit puts the driver outputs into a high impedance state if the die temperature exceeds 150°C, and does not turn them back on until the temperature falls to 130°C.

OUTLINE DIMENSIONS



COMPLIANT TO JEDEC STANDARDS MS-012AA  
 CONTROLLING DIMENSIONS ARE IN MILLIMETERS; INCH DIMENSIONS  
 (IN PARENTHESES) ARE ROUNDED-OFF MILLIMETER EQUIVALENTS FOR  
 REFERENCE ONLY AND ARE NOT APPROPRIATE FOR USE IN DESIGN

Figure 28. 8-Lead Standard Small Outline Package [SOIC]  
 Narrow Body (R-8)  
 Dimensions shown in millimeters and (inches)

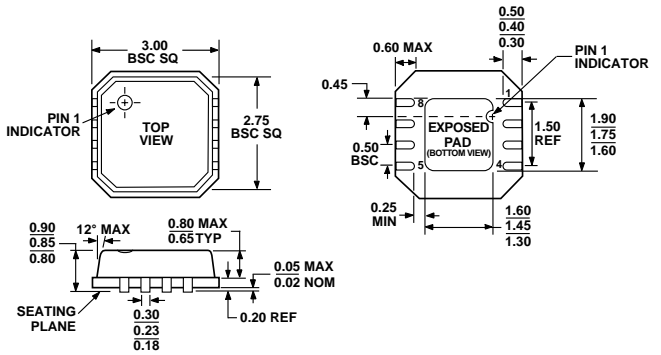


Figure 29. 8-Lead Lead Frame Chip Scale Package [LFCSPP]  
 (CP-8-2)  
 Dimensions shown in millimeters

**ORDERING GUIDE**

Model	Temperature Range	Package Description	Package Type	Branding
ADM4850ACP-REEL	–40°C to +85°C	8-Lead Lead Frame Chip Scale Package	CP-8-2	MOR
ADM4850ACP-REEL7	–40°C to +85°C	8-Lead Lead Frame Chip Scale Package	CP-8-2	MOR
ADM4850AR	–40°C to +85°C	8-Lead Standard Small Outline Package	R-8	
ADM4850AR-REEL	–40°C to +85°C	8-Lead Standard Small Outline Package	R-8	
ADM4850AR-REEL7	–40°C to +85°C	8-Lead Standard Small Outline Package	R-8	
ADM4851ACP-REEL	–40°C to +85°C	8-Lead Lead Frame Chip Scale Package	CP-8-2	MOS
ADM4851ACP-REEL7	–40°C to +85°C	8-Lead Lead Frame Chip Scale Package	CP-8-2	MOS
ADM4851AR	–40°C to +85°C	8-Lead Standard Small Outline Package	R-8	
ADM4851AR-REEL	–40°C to +85°C	8-Lead Standard Small Outline Package	R-8	
ADM4851AR-REEL7	–40°C to +85°C	8-Lead Standard Small Outline Package	R-8	
ADM4852ACP-REEL	–40°C to +85°C	8-Lead Lead Frame Chip Scale Package	CP-8-2	MOT
ADM4852ACP-REEL7	–40°C to +85°C	8-Lead Lead Frame Chip Scale Package	CP-8-2	MOT
ADM4852AR	–40°C to +85°C	8-Lead Standard Small Outline Package	R-8	
ADM4852AR-REEL	–40°C to +85°C	8-Lead Standard Small Outline Package	R-8	
ADM4852AR-REEL7	–40°C to +85°C	8-Lead Standard Small Outline Package	R-8	
ADM4853ACP-REEL	–40°C to +85°C	8-Lead Lead Frame Chip Scale Package	CP-8-2	MOU
ADM4853ACP-REEL7	–40°C to +85°C	8-Lead Lead Frame Chip Scale Package	CP-8-2	MOU
ADM4853AR	–40°C to +85°C	8-Lead Standard Small Outline Package	R-8	
ADM4853AR-REEL	–40°C to +85°C	8-Lead Standard Small Outline Package	R-8	
ADM4853AR-REEL7	–40°C to +85°C	8-Lead Standard Small Outline Package	R-8	
ADM4854AR	–40°C to +85°C	8-Lead Standard Small Outline Package	R-8	
ADM4855AR	–40°C to +85°C	8-Lead Standard Small Outline Package	R-8	
ADM4855AR-REEL	–40°C to +85°C	8-Lead Standard Small Outline Package	R-8	
ADM4855AR-REEL7	–40°C to +85°C	8-Lead Standard Small Outline Package	R-8	
ADM4856AR	–40°C to +85°C	8-Lead Standard Small Outline Package	R-8	
ADM4856AR-REEL	–40°C to +85°C	8-Lead Standard Small Outline Package	R-8	
ADM4856AR-REEL7	–40°C to +85°C	8-Lead Standard Small Outline Package	R-8	
ADM4857AR	–40°C to +85°C	8-Lead Standard Small Outline Package	R-8	
ADM4857AR-REEL	–40°C to +85°C	8-Lead Standard Small Outline Package	R-8	
ADM4857AR-REEL7	–40°C to +85°C	8-Lead Standard Small Outline Package	R-8	

**NOTES**