



PRODUCTS **APPLICATIONS** **RESOURCES & TOOLS** **ABOUT ADI** **MY ANALOG**

[Parametric Search](#)
[Cross-Reference Search](#)

[Print](#) | [Email this page](#) | [Save to myAnalog](#)

[Connect with ADI Specialists](#)

[ADI Home](#) > [Audio/Video Products](#) > [Analog/HDMI/DVI Interfaces](#) > [ADV7623](#)

ADV7623: HDMI® 1.4 Transceiver with Xpressview™ fast switching technology

Product Status Production

ADV7623 is a high performance 4 input, 1 output, High-Definition Multimedia Interface (HDMI®) transceiver that integrates HDMI receiver and transmitter with digital audio inputs and outputs onto one chip. It supports all HDCP repeater functions through fully tested ADI repeater software libraries and drivers.

The ADV7623 incorporates Xpressview™ fast switching on all input HDMI
[...More](#)

DATA SHEET

[Download Data Sheet Rev SpB, 03/2011](#) (pdf 64kB) ([About Data Sheets](#))

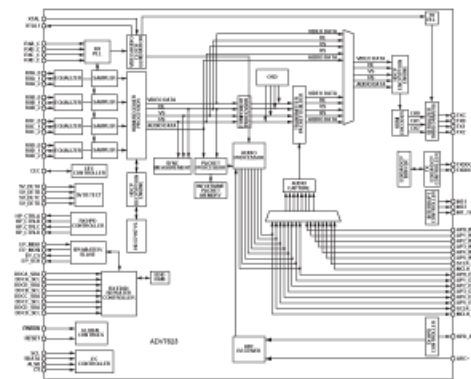
- [Technical Documentation](#)
- [Quality and Reliability Information](#) ▪ [Lead\(Pb\)-Free Data](#)

[Samples & Purchase](#) | [Packaging](#)

FEATURES

- 4-input, 1-output HDMI 1.4 transceiver
- HDMI 1.4 support
 - Audio return channel (ARC)
 - 3D TV support
 - Content type bits
 - CEC 1.4 compatible
- Xpressview fast switching on all HDMI ports
- Character- and icon-based on-screen display (OSD)
- High-Bandwidth Digital Content Protection (HDCP 1.4)
- HDCP repeater support
- 225 MHz HDMI Rx and Tx support 36-/30-/24-bit Deep Color
- Supports DVI RGB graphics up to 1600 × 1200 at 60 Hz
- Supports DVI RGB graphics up to 1600 × 1200 at 60 Hz
- See data sheet for additional features

FUNCTIONAL BLOCK DIAGRAM FOR ADV7623



[Symbols and Footprints](#)

[Enlarge](#)

SAMPLES & PURCHASE | PACKAGING

[Print Table](#)

[CHECK INVENTORY AND PURCHASE](#)

ADV7623 Model Options

| Model | Status | Package | Pins | Temp. Range | Price* (100-499) | Price* (1000 pcs.) | Packing / Qty | RoHS? | View PCN/PDN | Samples*** |
|------------------|-------------|-------------------|------|-------------|------------------|--------------------|---------------|---------------------------------|--------------|------------|
| ADV7623BSTZ | Prodn | LQFP 1.4 MM | 144 | Ind | | Tray, 60 | | Y Material Info | - | |
| ADV7623BSTZ-P | Prodn | LQFP 1.4 MM | 144 | Ind | | Tray, 60 | | Y Material Info | - | |
| ADV7623BSTZ-P-RL | Prodn | LQFP 1.4 MM | 144 | Ind | - | Reel, 500 | | Y Material Info | - | |
| ADV7623BSTZ-RL | Prodn | LQFP 1.4 MM | 144 | Ind | - | Reel, 500 | | Y Material Info | - | |
| EVAL-ADV7623EB1Z | Contact ADI | EVALUATION BOARDS | - | 1 | | | | Y | - | |

[\[BACK TO TOP \]](#)

[CHECK INVENTORY AND PURCHASE](#)

*The USA list pricing shown is for BUDGETARY USE ONLY, shown in United States dollars (FOB USA per unit for the stated volume), and is subject to change. International prices may differ due to local duties, taxes, fees and exchange rates. For volume-specific price or delivery quotes, please contact your local Analog Devices, Inc. sales office or authorized distributor. Pricing displayed for Evaluation Boards and Kits is based on 1-piece pricing.

**When "Not recommended" is shown in the product status, it means that the model is still in production, but is not recommended for new design.

***Products with "Production" status are available to purchase from an Analog Devices authorized distributor. Select the "Check Inventory and Purchase" button to view distributor part availability. Pre-release products may be available for sample. Check above for further information.

[» View Sales and Distribution Offices](#)

[Careers](#) | [Investor Relations](#) | [About ADI](#) | [Contact ADI](#) | [A-Z Category Index](#) | [Glossary](#) | [Privacy / Security](#) | [Terms of Use](#) | [Site Map](#) | [RSS](#)

© 1995 - 2011 Analog Devices, Inc. All Rights Reserved