



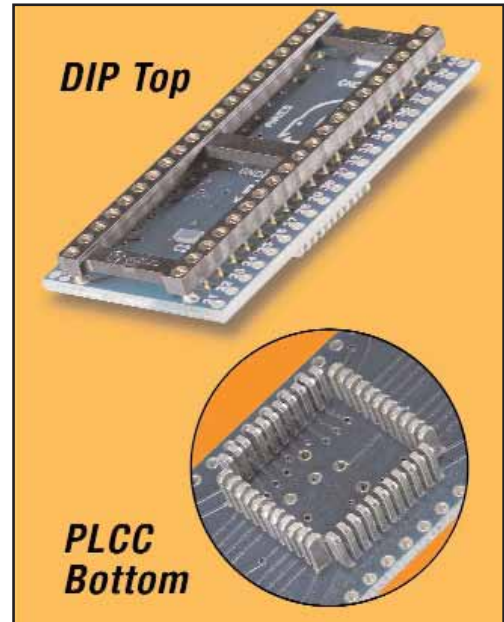
Part No. 111163 40 Pin DIP to Socketable PLCC Adapter

FEATURES:

- Can be used with Intel 80/83C652 and 80C251 microprocessors and any IC that follows standard DIP to PLCC pinout conventions.
- Allows user to switch package styles and avoid shortage problems.
- Designed to plug directly into your 44 pin PLCC socket.
- On board bypass capacitors to reduce power/ground electrical noise.
- All dip pins are brought out to the side of the adapters plated through holes to facilitate trouble shooting or debugging.

SPECIFICATIONS:

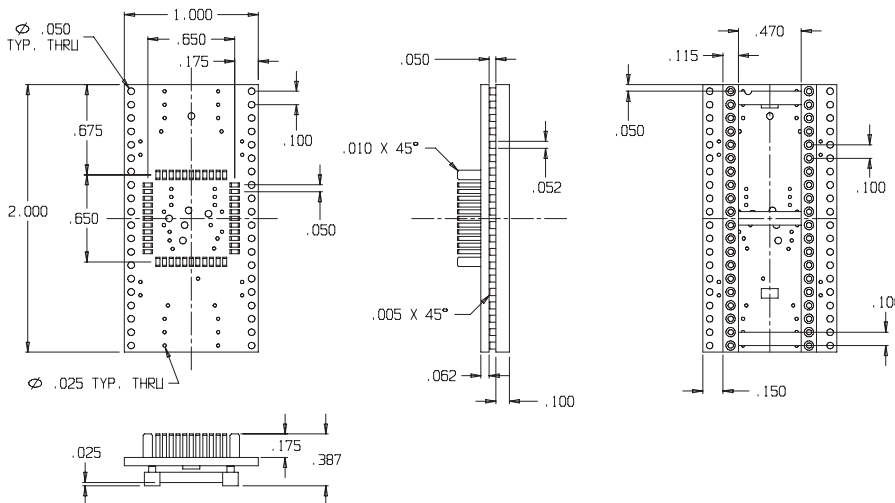
- PCB is natural UL 94V-0 FR-4, .062 [1.56] thk with one ounce copper traces.
- Male pins are Brass Alloy 350.
- Male pin plating is 200 μ [5.08 μ m] min. Tin per MIL-T-10727 Type 1 or Tin/Lead 90/10 MIL-P-81728 over 100 μ [2.54 μ m] Nickel per QQ-N-290
- Socket material is UL 94V-0 Glass-filled Polyester Thermoplastic (PET).
- Female pin is Brass Alloy 360 1/2 hard per UNS C36000 ASTM-B16-85.
- Female pin plating is 10 μ [.254 μ m] min. Gold per MIL-G-45204 over 100 μ [2.54 μ m] min. Nickel per QQ-N-290.
- 4-fingered collet contact is Beryllium Copper Alloy per UNS C17200 ASTM-B194-92.
- Collet contact plating is 10 μ [.254 μ m] min. Gold per MIL-G-45204 over 50 μ [127 μ m] min. Nickel per QQ-N-290.
- Operating temperature=221°F [105°C].
- Insertion Force=180 grams/pin; Withdrawal Force=90 grams/pin; Normal Force=140 grams/pin; based on a .018 [.46] diameter test lead.
- Socket accepts leads .015-.025 [.38-.64] in diameter, .100-.125 [2.54-3.18] long.



Note: Aries specializes in custom design and production. In addition to the standard products shown on this page, special materials, platings, sizes, and configurations can be furnished, depending on quantities. Aries reserves the right to change product specifications without notice.

ALL DIMENSIONS: INCHES [MILLIMETERS]

All tolerances \pm .005 [.13] unless otherwise specified



Pin List			
PLCC Pin No.	DIP Pin No.	PLCC Pin No.	DIP Pin No.
1	20	23	---
2	1	24	21
3	2	25	22
4	3	26	23
5	4	27	24
6	5	28	25
7	6	29	26
8	7	30	27
9	8	31	28
10	9	32	29
11	10	33	30
12	---	34	---
13	11	35	31
14	12	36	32
15	13	37	33
16	14	38	34
17	15	39	35
18	16	40	36
19	17	41	37
20	18	42	38
21	19	43	39
22	20	44	40

Consult Data Sheet No. 18027 for PLCC to DIP adapter for Intel processors described above.



<http://www.arieselec.com> • info@arieselec.com

NORTH AMERICA
Frenchtown, NJ USA
TEL: (908) 996-6841
FAX: (908) 996-3891



EUROPE
TEL: +44 870 240 0249
FAX: +44 871 919 6033
europa@arieselec.com

18026
REV.E