

Features

- Low TCR
- Multiturn / Cermet / Industrial / Sealed
- Standoffs allow thorough PC board washing
- Patent #4427966 drive mechanism

Applications

- Rheostat applications with wiper currents less than 25 microamps
- Process control instrumentation
- Power supplies

3266-LTC - 1/4 " Square Trimming Potentiometer

Electrical Characteristics

Standard Resistance Range2 K to 25 K ohms
 (see standard resistance table)
 Resistance Tolerance±10 % std.
 Absolute Minimum Resistance1 % or 2 ohms max.
 (whichever is greater)
 Contact Resistance Variation3.0 % or 3 ohms max.
 (whichever is greater)
 Adjustability
 Voltage.....±0.02 %
 Resistance.....±0.05 %
 Resolution.....Infinite
 Insulation Resistance500 vdc.
 1,000 megohms min.
 Dielectric Strength
 Sea Level600 vac
 80,000 Feet.....250 vac
 Effective Travel.....12 turns nom.

Environmental Characteristics

Power Rating (300 volts max.)
 70 °C0.25 watt
 150 °C0 watt
 Temperature Range-55 °C to +150 °C
 Temperature Coefficient
 End to End.....±20 ppm/°C
 Through the Wiper.....±50 ppm/°C
 Seal Test.....85 °C Fluorinert[†]
 Humidity.....MIL-STD-202 Method 103
 96 hours (2 % ΔTR, 10 Megohms IR)
 Vibration.....30 G (1 % ΔTR; 1 % ΔVR)
 Shock.....100 G (1 % ΔTR; 1 % ΔVR)
 Load Life ...1,000 hours 0.25 watt 70 °C
 (3 % ΔTR; 3 % CRV)
 Rotational Life200 cycles
 (4 % ΔTR; 3 % or 3 ohms, whichever is greater, CRV)

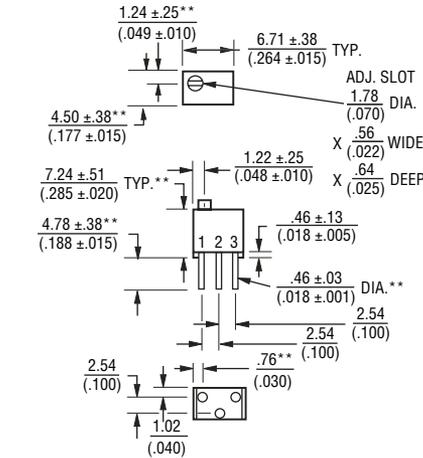
Physical Characteristics

Torque3.0 oz-in. max.
 Mechanical Stops.....Wiper idles
 TerminalsSolderable pins
 Weight0.015 oz.
 MarkingManufacturer's trademark, resistance code, wiring diagram, date code, manufacturer's model number and style
 Wiper......50 % ±10 %
 FlammabilityU.L. 94V-0
 Standard Packaging50 pcs. per tube
 Adjustment ToolH-90

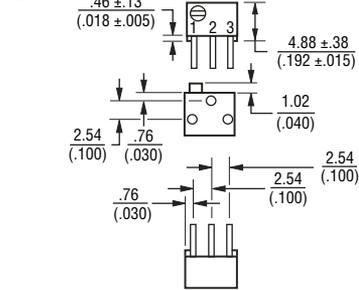
NOTE: TCR through the wiper applies when 40 % or more of the resistance element is in the circuit.

3266W

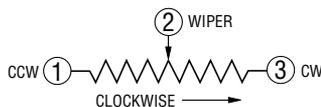
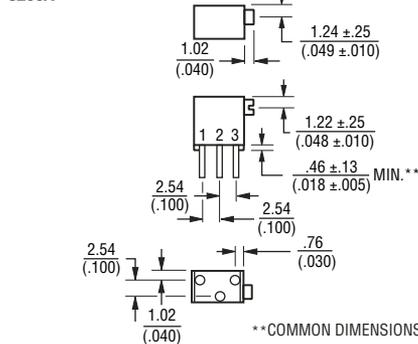
Common Dimensions



3266P



3266X



TOLERANCES: ± 0.25 (.010) EXCEPT WHERE NOTED

DIMENSIONS ARE: $\frac{\text{MM}}{\text{(INCHES)}}$

Standard Resistance Table

Resistance (Ohms)	Resistance Code
2,000	202
5,000	502
10,000	103
20,000	203
25,000	253

Popular values listed in boldface. Special resistances available.

How To Order

Model 3266 W - LTC - 103
 Style _____
 Product Indicator _____
 Resistance Code _____

Consult factory for other available options.

[†]"Fluorinert" is a registered trademark of 3M Co. Specifications are subject to change without notice. Customers should verify actual device performance in their specific applications.