

High Current Toroid Inductors (with header)

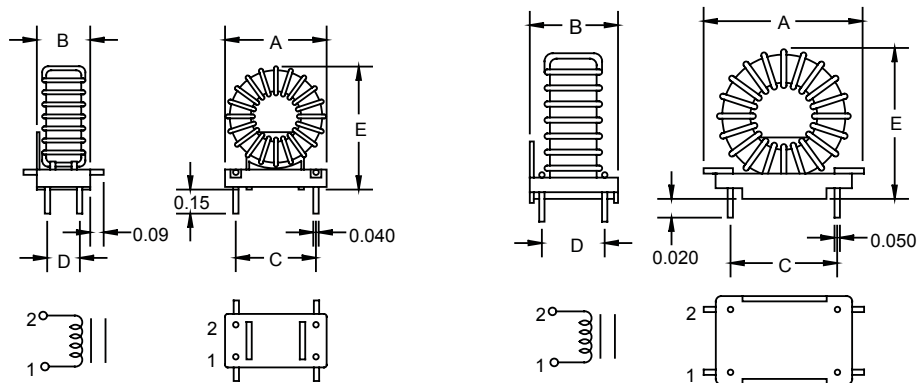
Special Features

- Low radiation
- High current capacity
- High inductance
- Mounted on VW-1 rated header
- Fixed pins for easy PCB insertion
- Operating temperature:
-55 to +105 °C

6700 Series									
Part Number	L (μH) ±15 % @ 1 KHz	I (A) Max.	L (μH) Min. @ I rated	DCR Ω Max.	Dim. A Max.	Dim. B Max.	Dim. C ±0.015	Dim. D ±0.015	Dim. E Max.
6701-RC	10	11.0	5	0.008	0.875	0.425	0.600	0.250	1.00
6702-RC	25	5.50	12	0.014	0.875	0.425	0.600	0.250	1.00
6703-RC	125	2.75	70	0.12	0.875	0.425	0.600	0.250	1.00
6704-RC	275	2.00	150	0.24	0.875	0.425	0.600	0.250	1.00
6705-RC	450	1.50	250	0.49	0.875	0.425	0.600	0.250	1.00
6706-RC	25	9.00	15	0.012	1.125	0.600	0.800	0.400	1.25
6707-RC	75	5.00	40	0.04	1.125	0.600	0.800	0.400	1.25
6708-RC	400	2.25	225	0.33	1.125	0.600	0.800	0.400	1.25
6709-RC	800	1.75	475	0.64	1.125	0.600	0.800	0.400	1.25
6710-RC	1000	1.50	675	0.98	1.125	0.600	0.800	0.400	1.25
6711-RC	50	9.50	25	0.012	1.250	0.800	0.900	0.600	1.375
6712-RC	150	4.75	85	0.046	1.250	0.800	0.900	0.600	1.375
6713-RC	700	2.25	400	0.42	1.250	0.800	0.900	0.600	1.375
6714-RC	1250	1.75	750	0.85	1.250	0.800	0.900	0.600	1.375
6715-RC	1600	1.50	950	1.27	1.250	0.800	0.900	0.600	1.375
6716-RC	125	7.75	65	0.032	1.812	0.900	1.200	0.700	1.95
6717-RC	500	4.00	275	0.15	1.812	0.900	1.200	0.700	1.95
6718-RC	1100	2.50	650	0.33	1.812	0.900	1.200	0.700	1.95
6719-RC	2250	1.75	1350	0.92	1.812	0.900	1.200	0.700	1.95
6720-RC	4500	1.25	2700	2.64	1.812	0.900	1.200	0.700	1.95
6721-RC	250	8.00	125	0.041	2.125	1.100	1.500	0.900	2.25
6722-RC	900	3.75	500	0.175	2.125	1.100	1.500	0.900	2.25
6723-RC	1800	2.50	1000	0.55	2.125	1.100	1.500	0.900	2.25
6724-RC	4000	1.75	2100	1.16	2.125	1.100	1.500	0.900	2.25
6725-RC	8000	1.00	4500	3.34	2.125	1.100	1.500	0.900	2.25
6726-RC	25	2.50	16	0.040	0.550	0.425	0.600	0.250	1.00
6727-RC	35	2.50	29	0.035	0.700	0.425	0.600	0.250	1.00
6728-RC	50	2.50	35	0.060	0.750	0.425	0.600	0.250	1.00
6729-RC	100	2.50	70	0.080	0.850	0.425	0.600	0.250	1.00
6730-RC	70	3.00	50	0.050	0.850	0.425	0.600	0.250	1.00
6731-RC	40	4.00	30	0.025	0.850	0.425	0.600	0.250	1.00

Available only as RoHS compliant beginning July 2007.

When ordering non-RoHS compliant versions before July 2007, do not include the -RC suffix in the part number.



6701-6705 & 6726-6731

6706-6725

Dimensions: Inches

BOURNS®

Tel. (877) 426-8767 • Fax (951) 781-5006

www.bourns.com