

## Features

- Available in E12 series
- Low height of only 7.0mm
- Inductance as low as 0.8μH
- High current up to 16 amps

## Applications

- Input/output of DC/DC converters
- Power supplies for:
  - Portable communications equipment
  - Camcorders
  - LCD TVs
  - Car radios

# SDR2207 Series - SMD Power Inductors

## Electrical Specifications

Bourns Part No.	Inductance 1kHz		Q Ref.	Test Frequency (MHz)	SRF Min. (MHz)	RDC (mΩ)	I rms Max. (A)	I sat Typ. (A)
	(μH)	Tol. %						
SDR2207-R80M	0.8	± 20	30	5	102.0	2.8	16.0	35.0
SDR2207-1R2M	1.2	± 20	30	3	70.0	3.8	15.0	30.0
SDR2207-1R8M	1.8	± 20	31	3	51.0	4.5	13.0	25.0
SDR2207-2R7M	2.7	± 20	38	3	51.0	7.0	10.0	20.0
SDR2207-3R3M	3.3	± 20	38	3	39.0	7.8	9.0	17.0
SDR2207-4R7M	4.7	± 20	38	3	33.0	8.8	8.5	15.0
SDR2207-5R6M	5.6	± 20	50	3	30.0	13.4	7.8	14.0
SDR2207-6R8M	6.8	± 20	38	3	27.0	14.2	7.5	12.0
SDR2207-8R2M	8.2	± 20	35	3	25.0	15.5	7.0	11.0
SDR2207-100M	10	± 20	53	5	20.0	17.2	6.5	10.0
SDR2207-120Y	12	± 15	50	5	19.0	23.6	5.5	9.5
SDR2207-150Y	15	± 15	38	5	16.0	28.8	5.0	9.0
SDR2207-180Y	18	± 15	46	5	15.0	33.0	4.6	8.0
SDR2207-220Y	22	± 15	27	3	14.0	39.4	4.0	6.5
SDR2207-270Y	27	± 15	22	3	12.0	43.5	3.8	6.0
SDR2207-330Y	33	± 15	27	3	11.0	58.4	3.4	5.5
SDR2207-390K	39	± 10	18	3	10.0	65.0	3.2	5.2
SDR2207-470K	47	± 10	27	3	9.0	91.2	2.8	5.0
SDR2207-560K	56	± 10	25	2	8.3	96.5	2.6	4.5
SDR2207-680K	68	± 10	18	2	7.9	112.0	2.4	4.0
SDR2207-820K	82	± 10	28	2	6.5	144.0	2.3	3.5
SDR2207-101K	100	± 10	18	2	6.2	168.0	2.2	3.0
SDR2207-121K	120	± 10	20	2	6.0	230.0	1.6	3.0
SDR2207-151K	150	± 10	22	2	5.8	250.0	1.5	2.6
SDR2207-181K	180	± 10	20	2	5.7	300.0	1.3	2.5
SDR2207-221K	220	± 10	19	2	5.5	380.0	1.2	2.4
SDR2207-271K	270	± 10	17	2	5.3	470.0	1.1	2.2
SDR2207-331K	330	± 10	20	1	5.1	560.0	1.0	1.9
SDR2207-391K	390	± 10	17	1	4.9	680.0	0.9	1.7
SDR2207-471K	470	± 10	19	1	4.7	850.0	0.8	1.4
SDR2207-561K	560	± 10	18	1	4.5	1000	0.8	1.3
SDR2207-681K	680	± 10	16	1	4.2	1100	0.7	1.2
SDR2207-821K	820	± 10	16	1	3.9	1400	0.6	1.1
SDR2207-102K	1000	± 10	15	1	3.5	1800	0.6	1.0

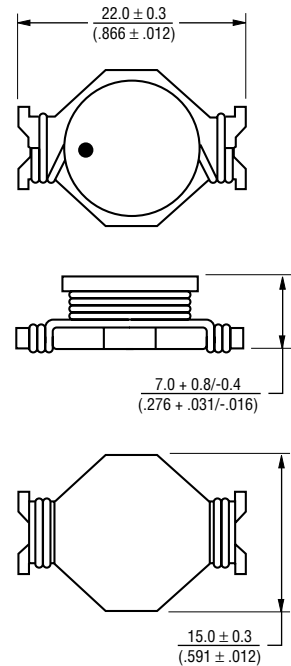
## General Specifications

Test Voltage .....0.1V  
 Reflow Soldering.....230°C; 10 sec. max.  
 Operating Temperature ...-40°C to +105°C  
 Storage Temperature ....-40°C to +125°C  
 Resistance to Soldering Heat  
 .....260°C for 5 sec.

## Materials

Core.....Ferrite DR  
 Wire .....Enamelled copper  
 Base.....Phenolic T375J  
 Adhesive .....Epoxy resin  
 Rated Current  
 .....Ind. drop 10% typ. at Isat  
 Temperature Rise  
 .....40°C max. at rated Irms  
 Packaging .....250 pcs. per reel

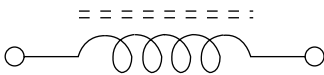
## Product Dimensions



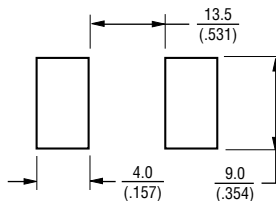
● = START OF WINDING

DIMENSIONS:  $\frac{\text{MM}}{\text{(INCHES)}}$

## Electrical Schematic



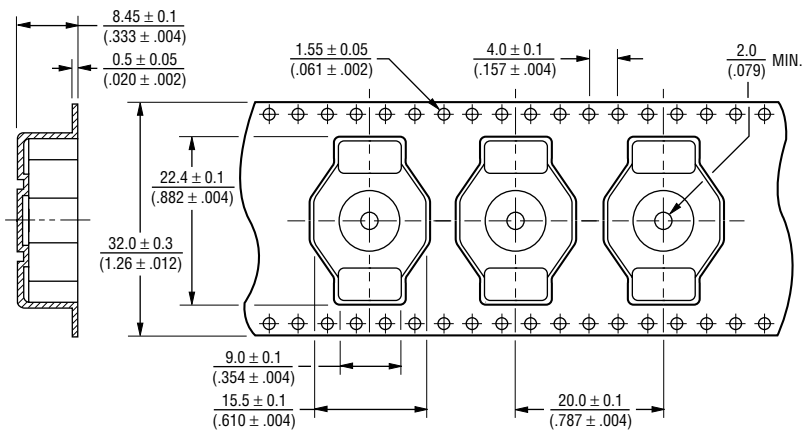
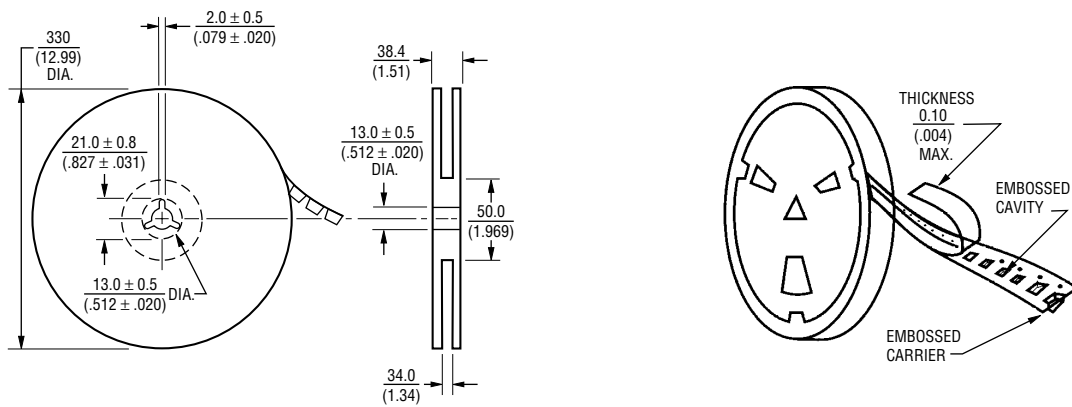
## Recommended Layout



# SDR2207 Series - SMD Power Inductors



## Packaging Specifications



QTY: 250 PCS. PER REEL

DIMENSIONS:  $\frac{\text{MM}}{\text{(INCHES)}}$