



## Features

- Maximum height of 1.05 mm
- Current up to 1.0 A
- RoHS compliant\*

## Applications

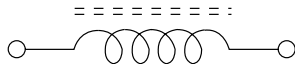
- Input/output of DC/DC converters
- Power supplies for:
  - Portable communication equipment
  - Camcorders
  - LCD TVs
  - Car radios

# SRU3009 Series - Shielded SMD Power Inductors

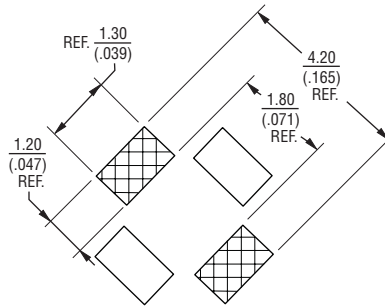
### Electrical Specifications

Bourns Part No.	Inductance 100 KHz		Q Ref.	Test Frequency (MHz)	SRF Typ. (MHz)	RDC Max. (mΩ)	I rms Max. (A)	I sat Typ. (A)	Marking
	(μH)	Tol. %							
SRU3009-1R3Y	1.3	± 30	10	7.96	210	115	1.00	1.10	A
SRU3009-2R2Y	2.2	± 30	8.5	7.96	150	145	0.80	0.85	B
SRU3009-3R3Y	3.3	± 30	8	7.96	130	225	0.65	0.72	C
SRU3009-4R7Y	4.7	± 30	9	7.96	100	290	0.48	0.50	D
SRU3009-6R8Y	6.8	± 30	8	7.96	85	500	0.40	0.43	E
SRU3009-100Y	10	± 30	8.5	2.52	60	760	0.28	0.35	F
SRU3009-220Y	22	± 30	20	2.52	40	1450	0.22	0.25	G

### Electrical Schematic



### Recommended Layout



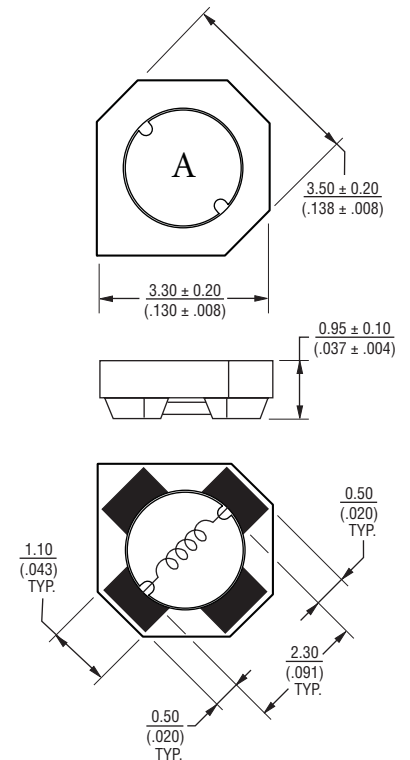
### General Specifications

Test Voltage.....0.1 V  
 Reflow Soldering ...230 °C, 50 sec. max.  
 Operating Temperature ..-40 °C to +125 °C  
 (Temperature rise included)  
 Storage Temperature...-40 °C to +125 °C  
 Resistance to Soldering Heat  
 .....260 °C for 10 sec.

### Materials

Core.....Ferrite DR and RI core  
 Wire .....Enamelled copper  
 Terminal .....Ag/Ni/Sn  
 Rated Current  
 .....Ind. drop 35 % typ. at Isat  
 Temperature Rise  
 .....40 °C max. at rated I rms  
 Packaging.....1,500 pcs. per reel

### Product Dimensions



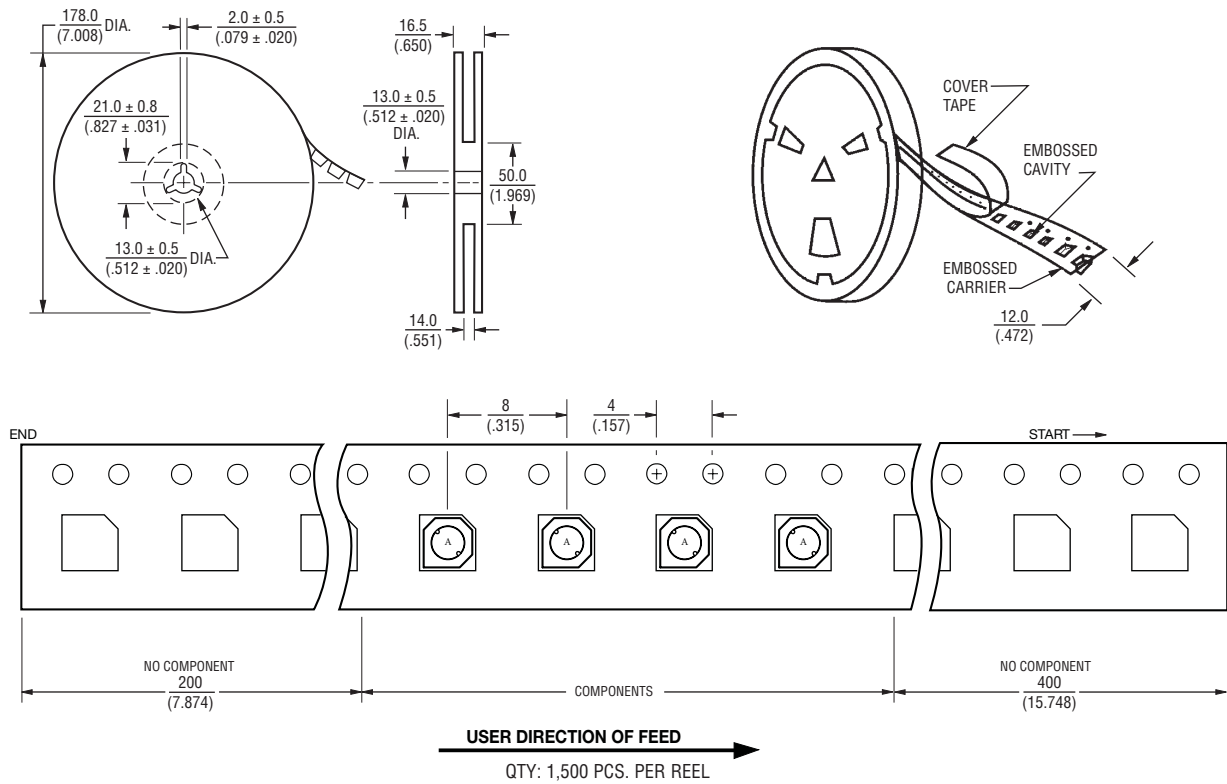
DIMENSIONS:  $\frac{\text{MM}}{\text{(INCHES)}}$

\*RoHS Directive 2002/95/EC Jan 27, 2003 including Annex.  
 Specifications are subject to change without notice.  
 Customers should verify actual device performance in their specific applications.

# SRU3009 Series - Shielded SMD Power Inductors

**BOURNS®**

## Packaging Specifications



DIMENSIONS:  $\frac{\text{MM}}{\text{(INCHES)}}$