



### Features

- Available in E6 series
- Unit height of 4.3 mm
- Current up to 5.4 A
- Lead free
- RoHS compliant\*

### Applications

- Input/output of DC/DC converters
- Power supplies for:
  - Portable communication equipment
  - Camcorders
  - LCD TVs
  - Car radios

## SRU8043 Series - Shielded SMD Power Inductors

### Electrical Specifications

Bourns Part No.	Inductance 100 KHz		Q Ref.	Test Frequency (MHz)	SRF Min. (MHz)	RDC (mΩ)	I rms Max. (A)	I sat Typ. (A)
	(μH)	Tol. %						
SRU8043-2R2Y	2.2	± 30	15	7.96	65.0	11.2	5.40	5.20
SRU8043-3R9Y	3.9	± 30	15	7.96	42.0	14.6	4.80	4.00
SRU8043-4R7Y	4.7	± 30	13	7.96	36.0	17.0	4.60	3.60
SRU8043-6R8Y	6.8	± 30	12	7.96	30.0	22.4	3.80	3.10
SRU8043-100Y	10	± 30	27	2.52	20.0	30.0	3.50	2.70
SRU8043-120Y	12	± 30	15	2.52	15.0	39.0	2.80	2.20
SRU8043-150Y	15	± 30	26	2.52	15.0	46.0	2.70	2.00
SRU8043-180Y	18	± 30	15	2.52	15.0	62.0	2.30	1.70
SRU8043-220Y	22	± 30	24	2.52	12.0	72.5	2.20	1.70
SRU8043-270Y	27	± 30	17	2.52	12.0	84.0	1.80	1.55
SRU8043-330Y	33	± 30	21	2.52	11.0	100.0	1.70	1.40
SRU8043-470Y	47	± 30	21	2.52	9.0	120.0	1.50	1.20
SRU8043-680Y	68	± 30	20	2.52	7.0	192.0	1.20	1.00
SRU8043-101Y	100	± 30	50	0.796	6.0	287.0	1.00	0.80

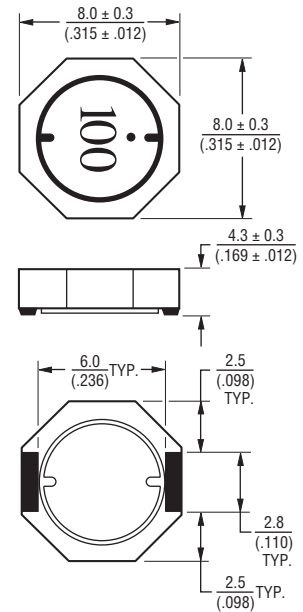
### General Specifications

Test Voltage.....1 V  
 Reflow Soldering ...230 °C, 50 sec. max.  
 Operating Temperature  
 .....-40 °C to +125 °C  
 (Temperature rise included)  
 Storage Temperature...-40 °C to +125 °C  
 Resistance to Soldering Heat  
 .....260 °C for 10 sec.

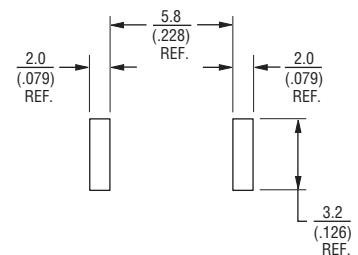
### Materials

Core.....Ferrite DR and RI core  
 Wire.....Enameled copper  
 Terminal .....Ag/Ni/Sn  
 Rated Current  
 .....Ind. drop 35 % typ. at Isat  
 Temperature Rise  
 .....40 °C max. at rated I<sub>rms</sub>  
 Packaging.....1000 pcs. per reel

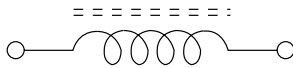
### Product Dimensions



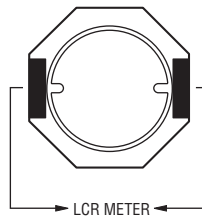
### Recommended Layout



### Electrical Schematic



### Inductor Connection



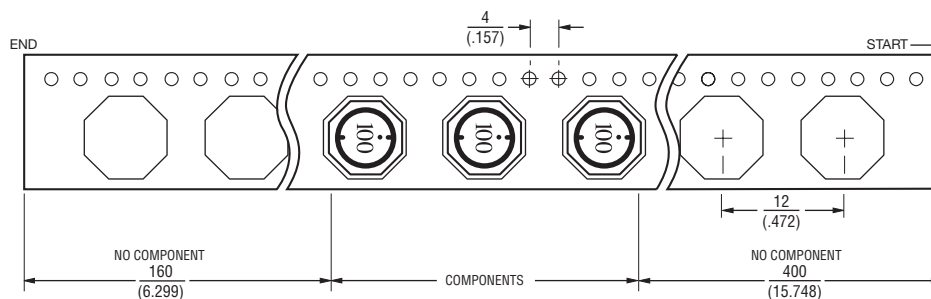
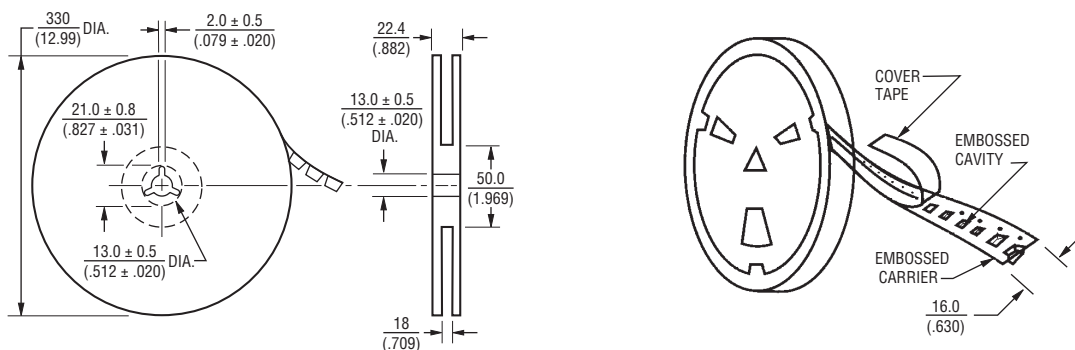
DIMENSIONS:  $\frac{\text{MM}}{\text{(INCHES)}}$

\*RoHS Directive 2002/95/EC Jan 27, 2003 including Annex. Specifications are subject to change without notice. Customers should verify actual device performance in their specific applications.

# SRU8043 Series - Shielded SMD Power Inductors



## Packaging Specifications



USER DIRECTION OF FEED →

QTY: 1,000 PCS. PER REEL

DIMENSIONS:  $\frac{\text{MM}}{\text{(INCHES)}}$