

Photoelectrics Accessories Right Angle Reflector, M18

CARLO GAVAZZI



- Right angle reflector turns sensing direction 90° of M18 cylindrical photoelectric sensors
- To be used for: diffuse reflective, retro-reflective, polarized retro-reflective and through beam sensors

Type Selection

Ordering number

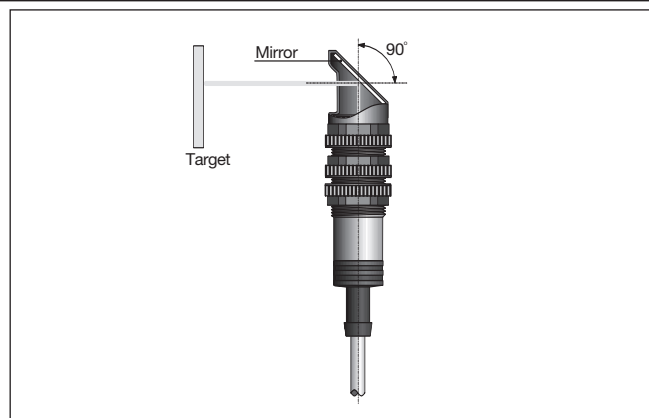
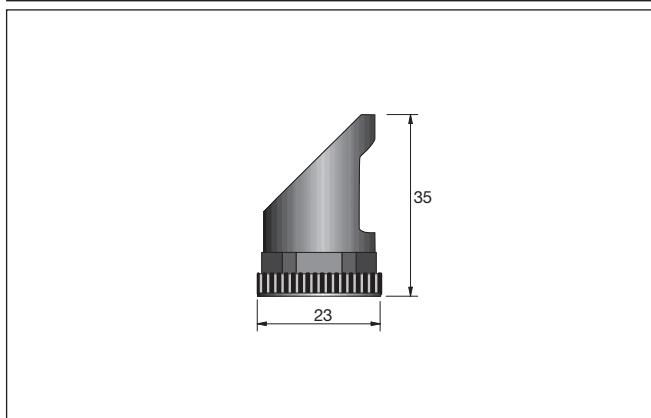
APA18-RAR

Ordering Key

APA 18-RAR

Type

Dimensions



Technical Specifications

Reduction factors

$$S_r = \frac{S_n - 2 \times 80}{100}$$

S_r = distance in cm

S_n = nominal sensing distance in cm

Material

ABS, black