

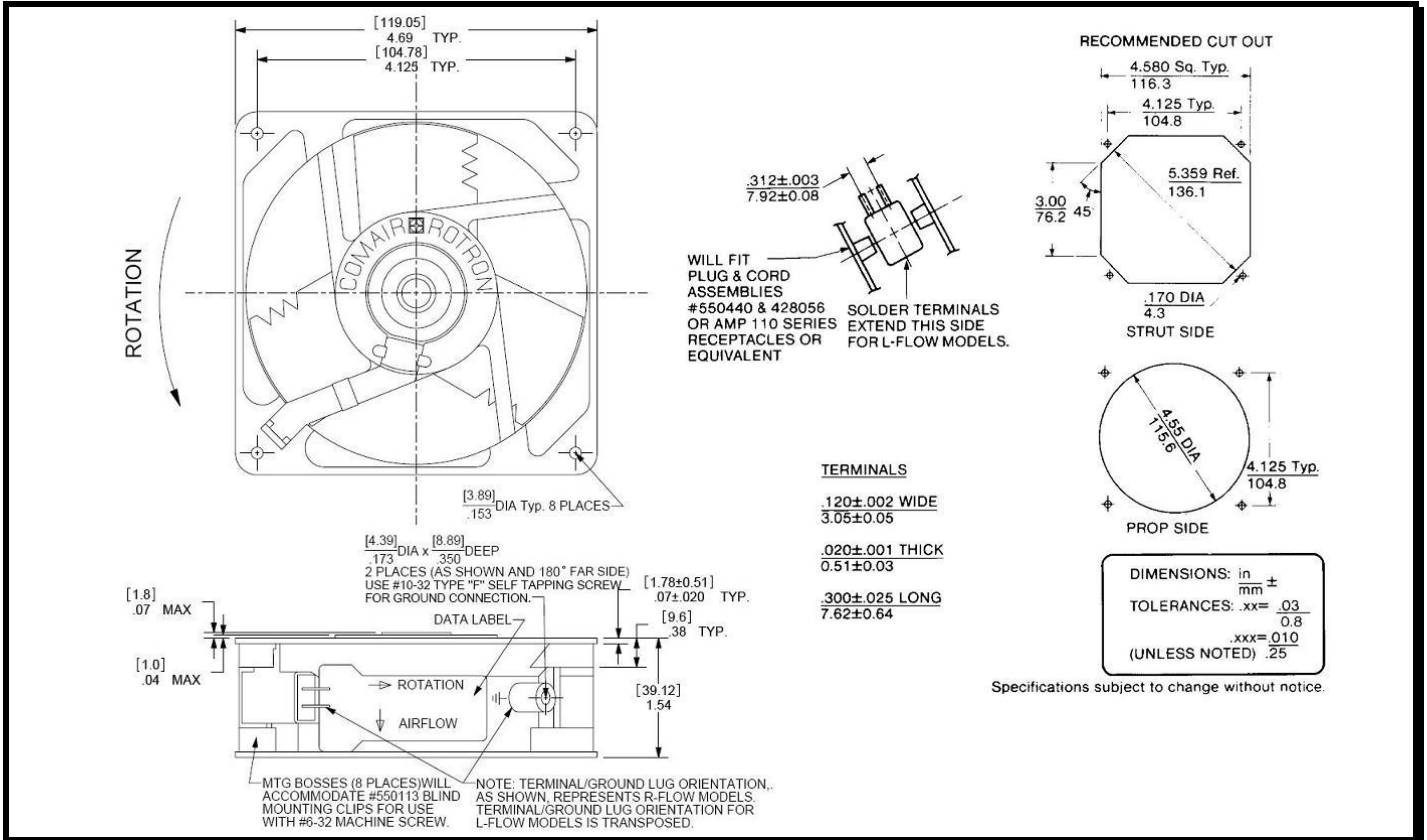
SPECIFICATIONS (RoHS Compliant)



Model Number: MX2B3
Part Number: 19028422A

Jan 24, 2013

Mechanical Drawing:



Motor:

Nominal Voltage = 115 VAC
 Frequency = 50 / 60 Hz
 Nominal Running Current = 0.200 / 0.180 amps
 Locked Rotor Current = 0.280 / 0.270 amps
 Running Power = 17 / 15 watts
 Average Speed = 2700 / 3100 RPM
 Bearings = Ball
 Air Flow = 98 / 115 CFM

Construction:

Venturi: Zinc Alloy, Black
 Propeller: Plastic, Black, UL 94V-0

Life Expectancy:

This fan is designed for continuous duty life of 83,000 hours at 40°C.

Additional Features:

Shaded Pole Induction Motor
 Impedance Protected
 Feathered Edge Propeller
 Operating Temperature: -28°C to 70°C
 Storage Temperature: -40°C to 85°C

Termination:

0.120" Wide Terminals

Agency Approvals:

UL