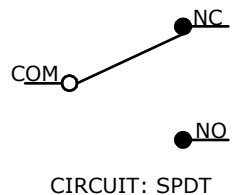
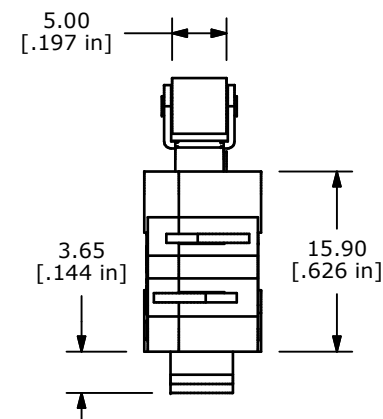
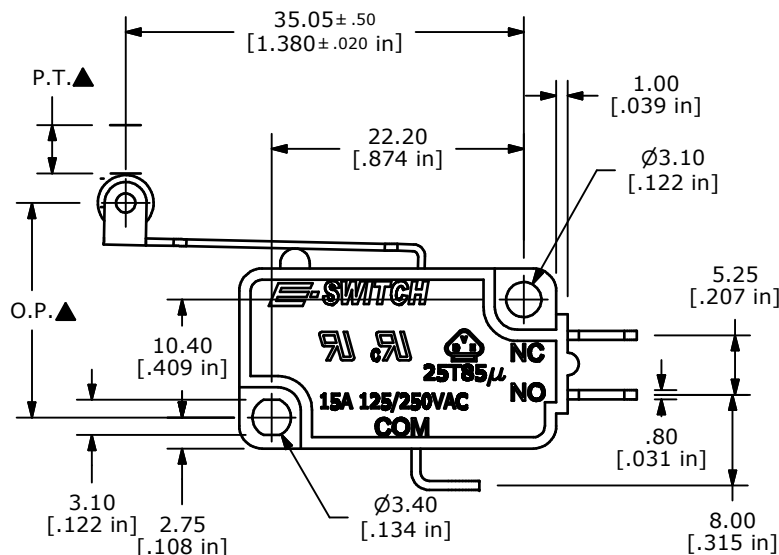


O.P. (MM)	P.T. (MM)
20.7 ± 1.5	5.5 MAX.

O.P. = OPERATING POINT
P.T. = PRE-TRAVEL



- NOTES:
- ALL DIMENSIONS IN MM [INCH]
 - GENERAL TOLERANCE: X.X ± 0.4
X.XX ± 0.25
 - RATING: 0.4VA @ 20 VDC OR VAC MAX.
 - OPERATING FORCE: 45 ± 20 GRAMS
 - OPERATING TEMP: -25°C TO 85°C
 - ELECTRICAL LIFE: 50,000 CYCLES MIN.
 - MECHANICAL LIFE: 1,000,000 CYCLES TYP.
 - INSULATION RESISTANCE: 100 MEGA-OHMS MIN.
 - DIELECTRIC STRENGTH: 1500VAC 1 MINUTE (INITIAL VALUE)
 - CONTACT RESISTANCE: 100 MILLI -OHMS MAX.
 - ▲ DENOTES CRITICAL PARAMETER.
 - 2002/95/EC (ROHS) COMPLIANT



TITLE LS085R106F045S1A

A	16282	RELEASED FOR PRODUCTION	8/7/06	BO
REV	PCR NO	DESCRIPTION	DATE	BY

THE INFORMATION CONTAINED IN THIS DOCUMENT IS PROPRIETARY TO E-SWITCH AND IS NOT TO BE COPIED OR TRANSFERRED

SCALE	DATE	DR	DWG	REV
1.5:1	8/7/2006	BO	Q950037	A