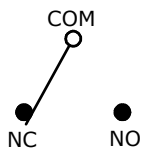
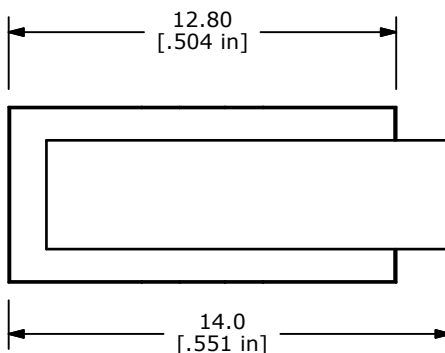
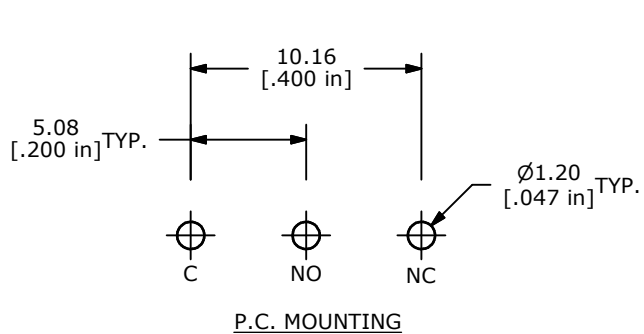


ISOMETRIC  
SCALE: 3:1



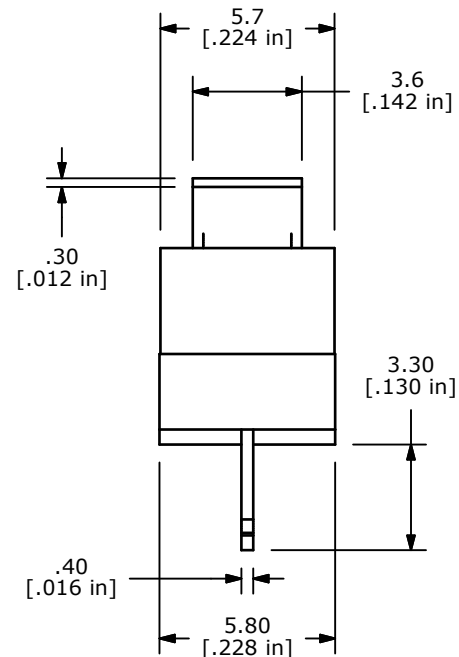
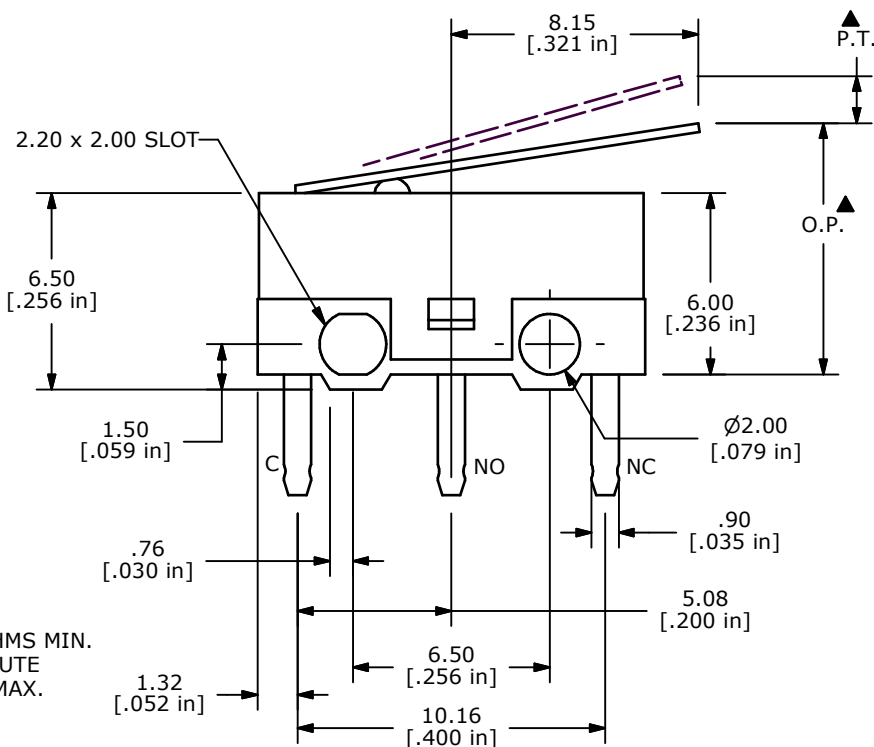
CIRCUIT: SPDT

O.P. (MM)	P.T. (MM)
8.80 ± 0.8	1.60 MAX.

O.P. = OPERATING POINT  
P.T. = PRE-TRAVEL

NOTES:

1. ALL DIMENSIONS IN MM [INCH]
2. GENERAL TOLERANCE: X.X=±0.4  
X.XX=±0.25
- ▲ 3. RATING: 3A @125VAC  
1.5 A @ 250VAC UL
4. OPERATING FORCE: 30 ± 10 GRAMS
5. OPERATING TEMP: -25°C TO 75°C
6. ELECTRICAL LIFE: 10,000 CYCLES MIN.
7. INSULATION RESISTANCE: 100 MEGA-OHMS MIN.
8. DIELECTRIC STRENGTH: 500VAC - 1 MINUTE
9. CONTACT RESISTANCE: 100 Milli-OHMS MAX.
10. ▲ DENOTES CRITICAL PARAMETER.
11. 2002/95/EC (ROHS) COMPLIANT
12. PACKAGING: 1,000 PER BAG.



TITLE SS0750301F030P1A

A	18706	Release For Production	11/11/09	BLR
REV	PCR NO	DESCRIPTION	DATE	BY

SCALE	DATE	DR	DWG	REV
4:1	11/11/2009	BLR	Q971028	A

THE INFORMATION CONTAINED IN THIS DOCUMENT IS PROPRIETARY  
TO E-SWITCH AND IS NOT TO BE COPIED OR TRANSFERRED