

RFPC-SMA17-FN: RP SMA Straight Bulkhead Jack With O-ring, PCB Connector, Rated to IP67/68, 3GHz

Material and Plating:

- Insulator A: Teflon
- Insulator B: Teflon
- Body: Brass, Gold Plated
- Pin: Brass, Gold Plated
- Gasket: Silicone, Color: Red
- O-Ring: Silicone, Color: Red

Washer: Brass, Gold Plated

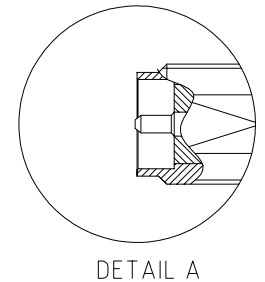
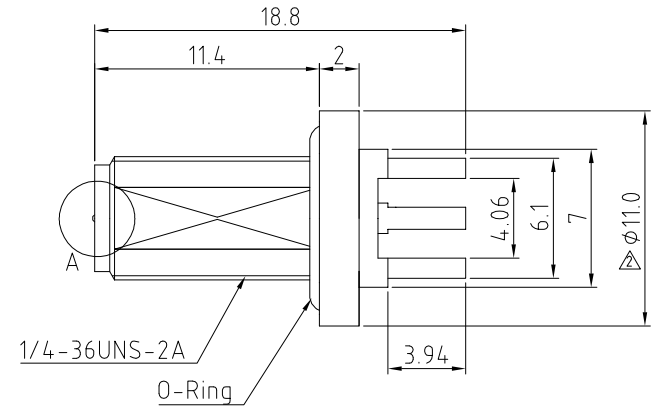
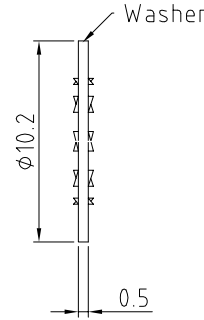
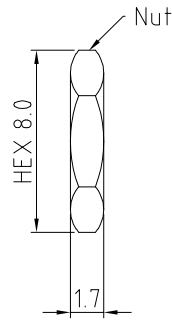
Nut: Brass, Gold Plated

Environmental:

- A. Tested to:
 - i. IP6x - Dust tight - no particle ingress.
 - ii. IPx7 Waterproof for 30 minutes up to 1 meter underwater.
 - iii. IPx8 Waterproof for 48 hours at 1 meter underwater.

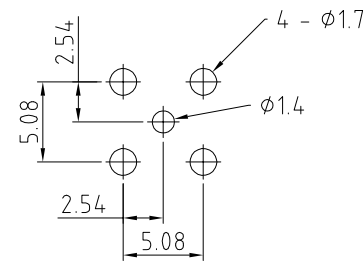
Notes:

- 1. Packaging Type: Tray.
- 2. Working Frequency Range: DC-3GHz.
- 3. Operating Temperature: -55°C~+155°C.

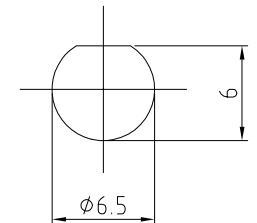


HOW TO ORDER
RFPC - SMA17 - FN - X

WASHER AND NUT OPTIONS:
BLANK = SEPARATELY PACKED (STANDARD)
A = ALL ASSEMBLED WITH CONNECTOR



Recommended PCB Hole Layout



Recommended Mounting Hole

REV. DATE & DRN	10/30/07/18 - NYW RELEASE
11	30/08/18 - NYW AMEND PIN MATERIAL
12	27/12/18 - NYW AMEND DIMENSION
13	18/02/19 - NYW ADD WASHER & NUT OPTIONS
14	27/05/19 - NYW ADD OPERATING TEMP.

Scale: NTS	THIRD ANGLE	Unstated X .XX .XXX ANGLES	Tolerances: N/A N/A N/A N/A
Drawn: NYW			
App'd: XXX	Title SMA PCB Connector		
Date: 27 MAY '19	Revision: 1.4	Unit: mm	

IP67/68 Rated Cables

www.gradconn.com

Type: RFPC-SMA17-FN
RFPC-SMA17-FN
Drawing Number:
Sheet 1 of 1
Drawing © E and O E