


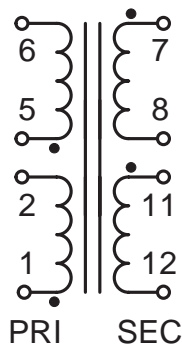


**POWER - CHASSIS MOUNT
GLOBAL USE
185 SERIES**

Key Features:

- Dual primary 115/230 VAC
- 50/60 Hz. operation
- Dual secondaries for series or parallel connections
- 4,000 V RMS Hipot test
- Class F insulation (155 degrees, C)
- Chassis mount
- 5 different VA sizes to choose from
- Dual bobbin construction
- Dual use terminals (solder lug or quick connect)
- UL recognized 
- CE certified
- For more information on this series, go to:
<http://www.hammondmfg.com/185.htm>

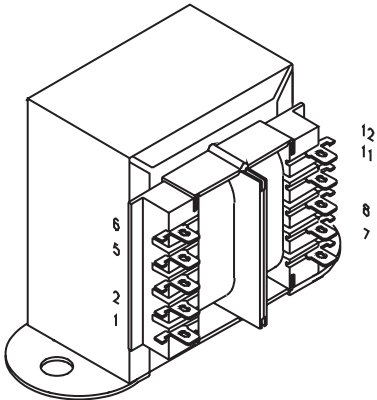
Transformer Schematic



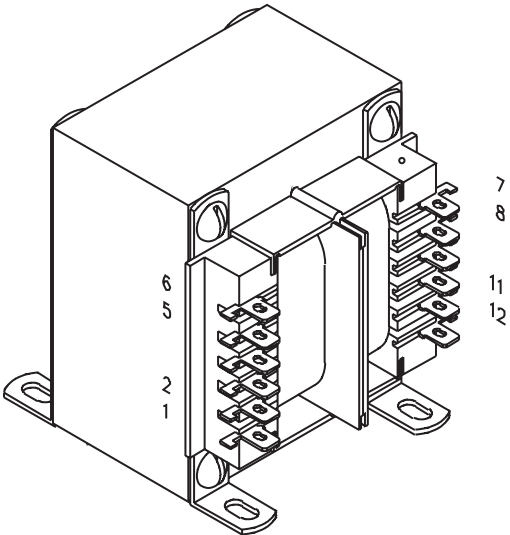
Cat. No.	VA	Secondary VAC (RMS)	
		Series	Parallel
185C10	25	10VCT @ 2.5A	5V @ 5.0A
185D10	43	10VCT @ 4.3A	5V @ 8.6A
185E10	80	10VCT @ 8.0A	5V @ 16.0A
185F10	130	10VCT @ 13.0A	5V @ 26.0A
185G10	175	10VCT @ 17.5A	5V @ 35.0A
185C12	25	12.6VCT @ 2.0A	6.3V @ 4.0A
185D12	43	12.6VCT @ 3.4A	6.3V @ 6.8A
185E12	80	12.6VCT @ 6.3A	6.3V @ 12.6A
185F12	130	12.6VCT @ 10.3A	6.3V @ 20.6A
185G12	175	12.6VCT @ 14.0A	6.3V @ 28.0A
185C16	25	16VCT @ 1.6A	8V @ 3.2A
185D16	43	16VCT @ 2.7A	8V @ 5.4A
185E16	80	16VCT @ 5.0A	8V @ 10.0A
185F16	130	16VCT @ 8.1A	8V @ 16.2A
185G16	175	16VCT @ 11.0A	8V @ 22.0A
185C20	25	20VCT @ 1.25A	10V @ 2.5A
185D20	43	20VCT @ 2.2A	10V @ 4.4A
185E20	80	20VCT @ 4.0A	10V @ 8.0A
185F20	130	20VCT @ 6.5A	10V @ 13.0A
185G20	175	20VCT @ 8.8A	10V @ 17.6A
185C24	25	24VCT @ 1.0A	12V @ 2.0A
185D24	43	24VCT @ 1.8A	12V @ 3.6A
185E24	80	24VCT @ 3.3A	12V @ 6.6A
185F24	130	24VCT @ 5.4A	12V @ 10.8A
185G24	175	24VCT @ 7.3A	12V @ 14.6A
185C28	25	28VCT @ 0.9A	14V @ 1.86A
185D28	43	28VCT @ 1.5A	14V @ 3.0A
185E28	80	28VCT @ 2.8A	14V @ 5.6A
185F28	130	28VCT @ 4.6A	14V @ 9.2A
185G28	175	28VCT @ 6.25A	14V @ 12.5A
185C36	25	36VCT @ 0.7A	18V @ 1.4A
185D36	43	36VCT @ 1.2A	18V @ 2.4A
185E36	80	36VCT @ 2.2A	18V @ 4.4A
185F36	130	36VCT @ 3.6A	18V @ 7.2A
185G36	175	36VCT @ 4.8A	18V @ 9.6A
185C230	25	230VCT @ 0.11A	115V @ 0.22A
185D230	43	230VCT @ 0.19A	115V @ 0.38A
185E230	80	230VCT @ 0.35A	115V @ 0.7A
185F230	130	230VCT @ 0.57A	115V @ 1.14A
185G230	175	230VCT @ 0.76A	115V @ 1.52A

www.hammondmfg.com

Connection Information 185 Series Transformers



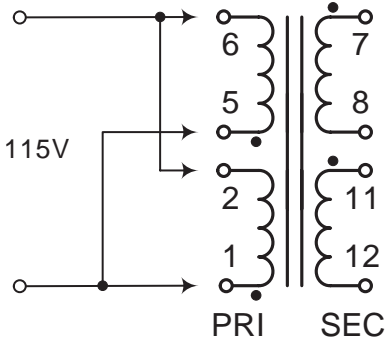
25 & 43 VA Sizes



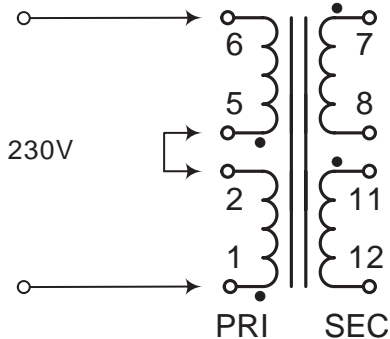
80, 130 & 175 VA Sizes

Primary Connections - 185 Series Transformers

Primary Wiring for 115V
(Parallel Connection)

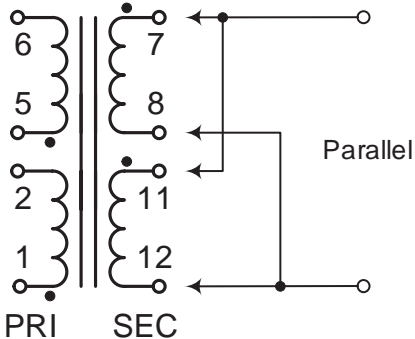


Primary Wiring for 230V
(Series Connection)



Secondary Connections - 185 Series Transformers

Secondary Wiring
(Parallel Connection)



Secondary Wiring
(Series Connection)

