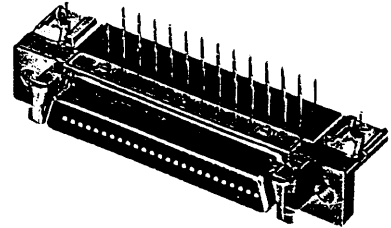
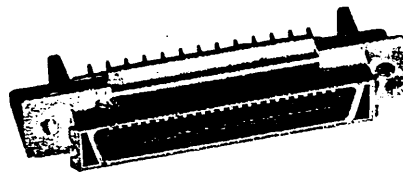


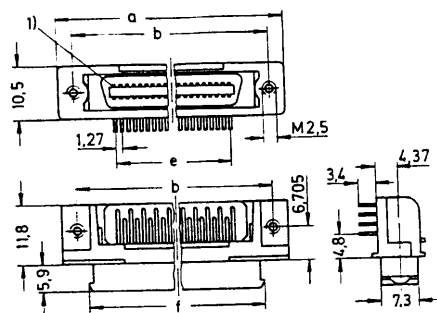
-965-637 | to 65G -



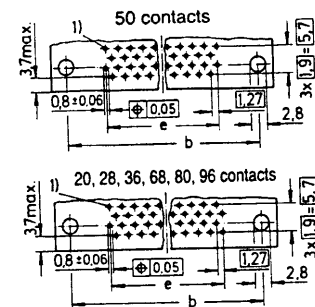
Connector solder pins, angled

Identification	No. of contacts	Male connector	Female connector	
Male and female connector with angled solder pins	20	60 11 020 5232 *	60 11 020 51 ..	
	26	60 11 026 5232 *	60 11 026 51 ..	
	28	60 11 028 5232	60 11 028 51 .. *	
	36	60 11 036 5232	60 11 036 51 ..	
	50	60 11 050 5232	60 11 050 51 ..	
	68	60 11 068 5232	60 11 068 51 ..	
	80	60 11 080 5232	60 11 080 51 .. *	
	96	60 11 096 5232	60 11 096 51 .. *	
	Without board lock	32		
	With board lock	40		

Male connector

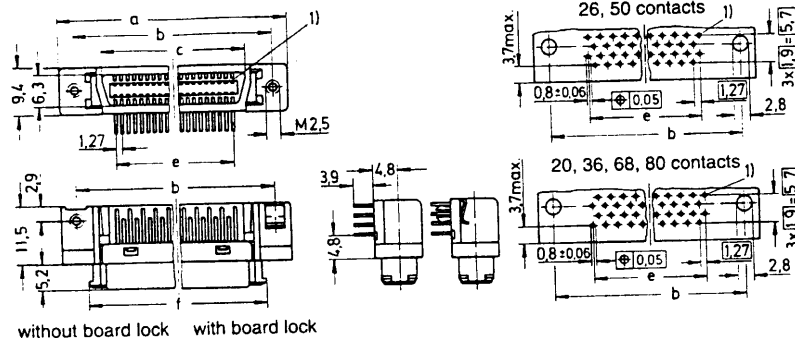


Dimensions in mm



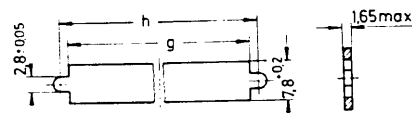
	a	b \pm 0.1	c	e	f	g	h
20	33.40	27.40	16.45	9 x 1.27 = 11.43	23.30	23.70	27.45
26	37.16	31.26	20.26	12 x 1.27 = 15.24	27.11	27.50	31.25
28	38.48	32.48	-	13 x 1.27 = 16.51	28.38	28.80	32.50
36	43.56	37.56	26.61	17 x 1.27 = 21.59	33.46	33.90	37.60
50	52.45	46.45	35.50	24 x 1.27 = 30.48	42.35	42.80	46.50
68	63.88	57.88	46.93	33 x 1.27 = 41.91	53.78	54.20	57.90
80	71.50	65.50	54.55	39 x 1.27 = 49.53	61.40	61.80	65.55
96	81.66	75.66	-	47 x 1.27 = 59.69	71.56	72.00	75.65

Female connector



without board lock with board lock

Panel cut out



1) Contact number 1