

Distributed by:

JAMECO[®]
ELECTRONICS

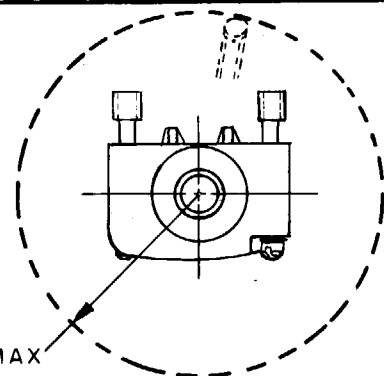
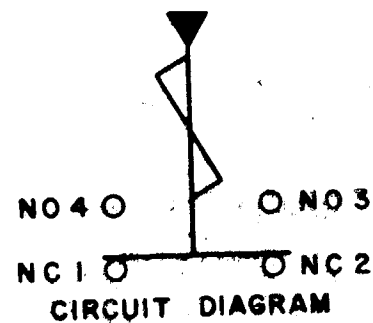
www.Jameco.com ♦ 1-800-831-4242

The content and copyrights of the attached
material are the property of its owner.

Jameco Part Number 1816394

SWITCH - ENCLOSED

CATALOG LISTING
208LS1



1.125 MAX
 OPERATING
 POSITION

SWITCH WILL OPERATE BY
 MOVING ACTUATOR IN ANY
 DIRECTION EXCEPT PULL

5.550 ± .100

ELASTOMER PLUNGER SEAL
 SECURED TO COMPONENTS BY
 EXTERNAL BANDING

2.664 ± .010

CAPTIVE MOUNTING
 SCREW (2)

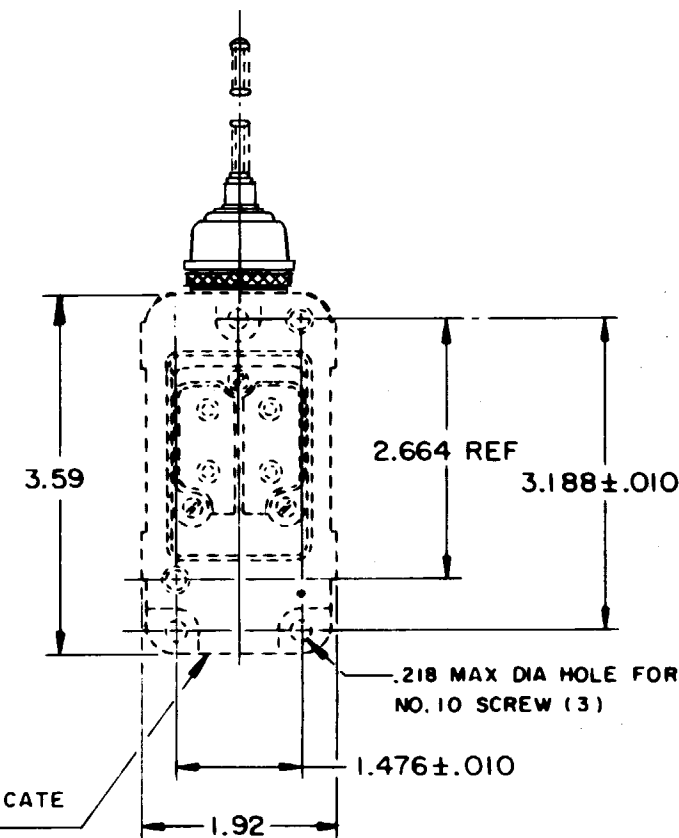
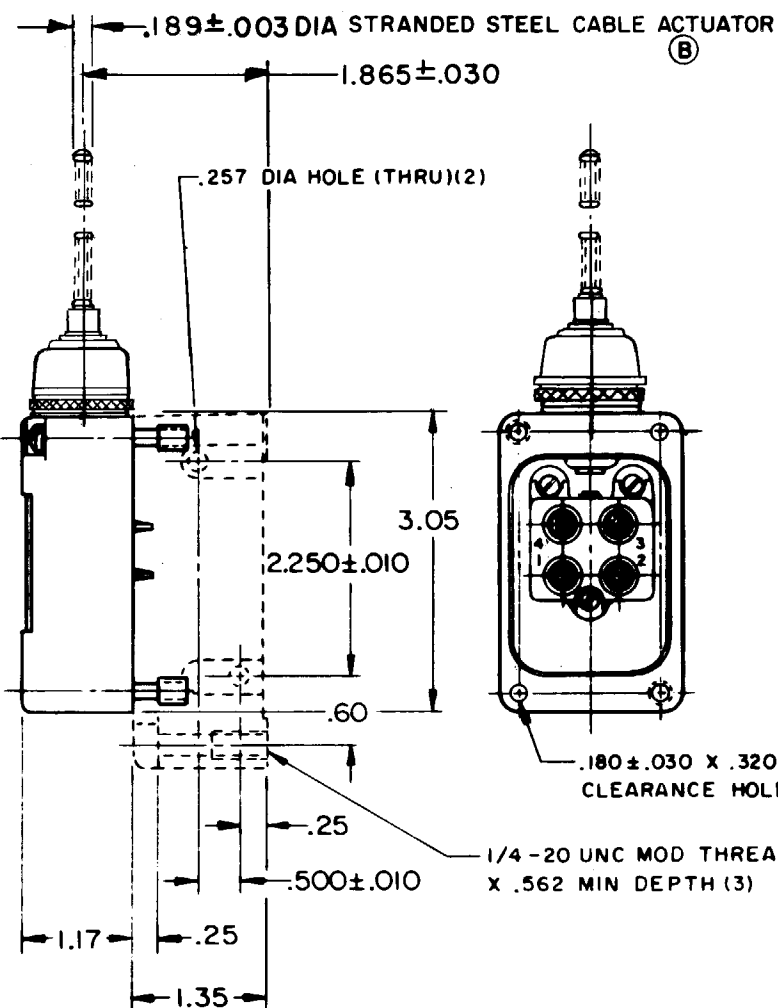
.18

.738

1.476 ± .010

.79

1/2 - 14 NPT THREAD



DOTTED LINES INDICATE
 18 PAI IN PLACE

THIS DRAWING COVERS A PROPRIETARY ITEM AND IS THE PROPERTY OF MICRO SWITCH, A DIVISION OF MINNEAPOLIS-HONEYWELL REGULATOR CO. THIS DRAWING IS NOT TO BE COPIED OR USED WITHOUT THE APPROVAL OF MICRO SWITCH.

CHARACTERISTICS

OPERATING FORCE - - - - - 5 OZ MAX
 FORCE AT 2.0 - - - - - 10 OZ MAX

SWITCH - BASIC REPLACEMENT - - - 2MN9

ELECTRICAL DATA

CONTACT ARRANGEMENT
 (SEE CIRCUIT DIAGRAM)

10A - 120, 240, OR 480 VAC; 1/4 HP - 120 VAC
 1/2 HP - 240 VAC; 0.8A - 115 VDC; 0.4A - 230 VDC
 .1A - 550 VDC
 PILOT DUTY: 600 VAC MAX

SCALE 1/2 TO 1

DO NOT SCALE PRINT

UNLESS OTHERWISE
 NOTED
 DIMENSIONS ARE IN INCHES
TOLERANCES ARE:
 ONE PLACE (.0) ± .030
 TWO PLACE (.00) ± .015
 THREE PLACE (.000) ± .005
 ANGLES ±

WEIGHT

FORMTEK
 FO-80378-003
 DRAWN
 WEG 24 JUNE 65
 CHECK
 LDD 25 JUNE 65
 CHECK
 JAF 22 MAR 99
 E C094494
 JDB 22 DEC 93
 D CO-77031
 DAW 19 APR 69
 C C025152
 RER 15 OCT 68
 B C024612
 WEG 24 JUNE 65
 A C015200
 REVISIONS
 ISSUE 11
 DRAWING NUMBER
 M
 208LS1
 PAGE 1 OF 1
 REPLACES
 RELEASE NO.