



ICS8732-01

LOW VOLTAGE, LOW SKEW 3.3V LVPECL CLOCK GENERATOR

GENERAL DESCRIPTION

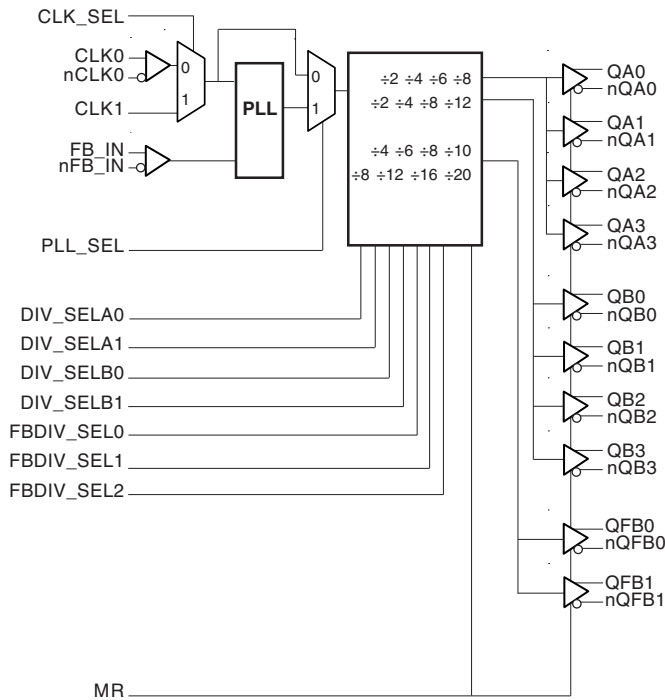
The ICS8732-01 is a low voltage, low skew, 3.3V LVPECL Clock Generator. The ICS8732-01 has two selectable clock inputs. The CLK0, nCLK0 pair can accept most standard differential input levels. The single ended clock input accepts LVCMOS or LVTTTL input levels. The ICS8732-01 has a fully integrated PLL along with frequency configurable outputs. An external feedback input and outputs regenerate clocks with “zero delay”.

The ICS8732-01 has multiple divide select pins for each bank of outputs along with 3 independent feedback divide select pins allowing the ICS8732-01 to function both as a frequency multiplier and divider. The PLL_SEL input can be used to bypass the PLL for test and system debug purposes. In bypass mode, the input clock is routed around the PLL and into the internal output dividers.

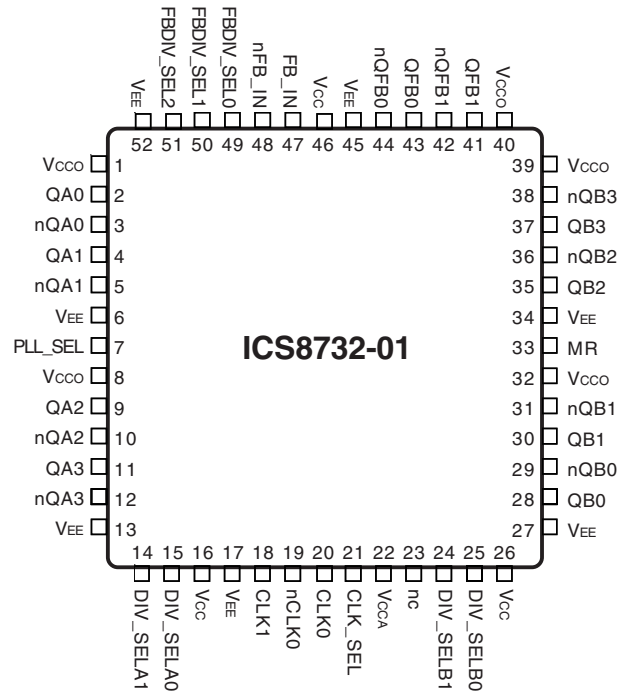
Features

- Ten differential 3.3V LVPECL outputs
- Selectable differential CLK0, nCLK0 or LVCMOS/LVTTTL CLK1 inputs
- CLK0, nCLK0 supports the following input types: LVPECL, LVDS, LVHSTL, SSTL, HCSL
- CLK1 accepts the following input levels: LVCMOS or LVTTTL
- Maximum output frequency: 350MHz
- VCO range: 250MHz to 700MHz
- External feedback for “zero delay” clock regeneration with configurable frequencies
- Cycle-to-cycle jitter: CLK0, nCLK0, 50ps (maximum)
CLK1, 80ps (maximum)
- Output skew: 150ps (maximum)
- Static phase offset: -150ps to 150ps
- Lead-Free package fully RoHS compliant

BLOCK DIAGRAM



PIN ASSIGNMENT



52-Lead LQFP
10mm x 10mm x 1.4mm package body
Y package
Top View



ICS8732-01

LOW VOLTAGE, LOW SKEW 3.3V LVPECL CLOCK GENERATOR

TABLE 1. PIN DESCRIPTIONS

Number	Name	Type		Description
1, 8, 32, 39, 40	V _{CCO}	Power		Output supply pins.
2, 3, 4, 5	QA0, nQA0, QA1, nQA1	Output		Differential output pair. LVPECL interface levels.
6, 13, 17, 27, 34, 45, 52	V _{EE}	Power		Negative supply pins.
7	PLL_SEL	Input	Pullup	Selects between the PLL and reference clock as the input to the dividers. When LOW, selects reference clock. When HIGH, selects PLL. LVCMOS / LVTTTL interface levels.
9, 10, 11, 12	QA2, nQA2, QA3, nQA3	Output		Differential output pairs. LVPECL interface levels.
14	DIV_SELA1	Input	Pulldown	Determines output divider valued in Table 3. LVCMOS / LVTTTL interface levels.
15	DIV_SELA0	Input	Pulldown	Determines output divider valued in Table 3. LVCMOS / LVTTTL interface levels.
16, 26, 46	V _{CC}	Power		Core supply pins.
18	CLK1	Input	Pulldown	LVCMOS / LVTTTL reference clock input.
19	nCLK0	Input	Pullup	Inverting differential clock input.
20	CLK0	Input	Pulldown	Non-inverting differential clock input.
21	CLK_SEL	Input	Pulldown	Clock select input. When LOW, selects CLK0, nCLK0. When HIGH, selects CLK1. LVCMOS / LVTTTL interface levels.
22	V _{CCA}	Power		Analog supply pin.
23	nc	Unused		No connect.
24	DIV SELB1	Input	Pulldown	Determines output divider valued in Table 3. LVCMOS / LVTTTL interface levels.
25	DIV SELB0	Input	Pulldown	Determines output divider valued in Table 3. LVCMOS / LVTTTL interface levels.
28, 29, 30, 31	QB0, nQB0, QB1, nQB1	Output		Differential output pairs. LVPECL interface levels.
33	MR	Input	Pulldown	Active High Master Reset. When logic HIGH, the internal dividers are reset causing the true outputs Qx to go low and the inverted outputs nQx to go high. When LOW, the internal dividers and the outputs are enabled. LVCMOS / LVTTTL interface levels.
35, 36, 37, 38	QB2, nQB2, QB3, nQB3	Output		Differential output pairs. LVPECL interface levels.
41, 42, 43, 44	QFB1, nQFB1, QFB0, nQFB0	Output		Differential feedback output pairs. LVPECL interface levels.
47	FB_IN	Input	Pulldown	Feedback input to phase detector for regenerating clocks with "zero delay".
48	nFB_IN	Input	Pullup	Feedback input to phase detector for regenerating clocks with "zero delay".
49	FBDIV_SEL0	Input	Pulldown	Selects divide value for differential feedback output pairs. LVCMOS / LVTTTL interface levels.
50	FBDIV_SEL1	Input	Pulldown	Selects divide value for differential feedback output pairs. LVCMOS / LVTTTL interface levels.
51	FBDIV_SEL2	Input	Pulldown	Selects divide value for differential feedback output pairs. LVCMOS / LVTTTL interface levels.

NOTE: *Pullup* and *Pulldown* refer to internal input resistors. See Table 2, Pin Characteristics, for typical values.



ICS8732-01

LOW VOLTAGE, LOW SKEW
3.3V LVPECL CLOCK GENERATOR

TABLE 2. PIN CHARACTERISTICS

Symbol	Parameter	Test Conditions	Minimum	Typical	Maximum	Units
C_{IN}	Input Capacitance			4		pF
R_{PULLUP}	Input Pullup Resistor			51		k Ω
$R_{PULLDOWN}$	Input Pulldown Resistor			51		k Ω

TABLE 3A. CONTROL INPUT FUNCTION TABLE FOR QA0:QA3 OUTPUTS

Inputs				Outputs
MR	PLL_SEL	DIV_SELA1	DIV_SELA0	QA0:QA3, nQA0:nQA3
1	X	X	X	Low
0	1	0	0	fVCO/2
0	1	0	1	fVCO/4
0	1	1	0	fVCO/6
0	1	1	1	fVCO/8
0	0	0	0	fREF_CLK/2
0	0	0	1	fREF_CLK/4
0	0	1	0	fREF_CLK/6
0	0	1	1	fREF_CLK/8

TABLE 3B. CONTROL INPUT FUNCTION TABLE FOR QB0:QB3 OUTPUTS

Inputs				Outputs
MR	PLL_SEL	DIV_SELB1	DIV_SELB0	QB0:QB3, nQB0:nQB3
1	X	X	X	Low
0	1	0	0	fVCO/2
0	1	0	1	fVCO/4
0	1	1	0	fVCO/8
0	1	1	1	fVCO/12
0	0	0	0	fREF_CLK/2
0	0	0	1	fREF_CLK/4
0	0	1	0	fREF_CLK/8
0	0	1	1	fREF_CLK/12



TABLE 3C. CONTROL INPUT FUNCTION TABLE FOR QFB0, QFB1

Inputs					Outputs
MR	PLL_SEL	FBDIV_SEL2	FBDIV_SEL1	FBDIV_SEL0	QFB0, QFB1 nQFB0, nQFB1
1	X	X	X	X	Low
0	1	0	0	0	fVCO/4
0	1	0	0	1	fVCO/6
0	1	0	1	0	fVCO/8
0	1	0	1	1	fVCO/10
0	1	1	0	0	fVCO/8
0	1	1	0	1	fVCO/12
0	1	1	1	0	fVCO/16
0	1	1	1	1	fVCO/20
0	0	0	0	0	fREF_CLK/4
0	0	0	0	1	fREF_CLK/6
0	0	0	1	0	fREF_CLK/8
0	0	0	1	1	fREF_CLK/10
0	0	1	0	0	fREF_CLK/8
0	0	1	0	1	fREF_CLK/12
0	0	1	1	0	fREF_CLK/16
0	0	1	1	1	fREF_CLK/20

TABLE 4A. QX OUTPUT FREQUENCY w/FB_IN = QFB0 OR QFB1

Inputs					CLK1 (MHz)		fVCO
FB_IN	FBDIV_SEL2	FBDIV_SEL1	FBDIV_SEL0	Output Divider Mode	Minimum	Maximum	(NOTE 1)
					QFB	0	
QFB	0	0	1	÷6	41.67	116.67	fREF_CLK x 6
QFB	0	1	0	÷8	31.25	87.5	fREF_CLK x 8
QFB	0	1	1	÷10	25	70	fREF_CLK x 10
QFB	1	0	0	÷8	31.25	87.5	fREF_CLK x 8
QFB	1	0	1	÷12	20.83	58.33	fREF_CLK x 12
QFB	1	1	0	÷16	15.62	43.75	fREF_CLK x 16
QFB	1	1	1	÷20	12.5	35	fREF_CLK x 20

NOTE 1: VCO frequency range is 250MHz to 700MHz.

NOTE 2: The maximum input frequency that the phase detector can accept is 175MHz.



ICS8732-01

LOW VOLTAGE, LOW SKEW 3.3V LVPECL CLOCK GENERATOR

ABSOLUTE MAXIMUM RATINGS

Supply Voltage, V_{CC}	4.6V
Inputs, V_i	-0.5V to $V_{CC} + 0.5 V$
Outputs, I_o	
Continuous Current	50mA
Surge Current	100mA
Package Thermal Impedance, θ_{JA}	42.3°C/W (0 lfpm)
Storage Temperature, T_{STG}	-65°C to 150°C

NOTE: Stresses beyond those listed under Absolute Maximum Ratings may cause permanent damage to the device. These ratings are stress specifications only. Functional operation of product at these conditions or any conditions beyond those listed in the *DC Characteristics* or *AC Characteristics* is not implied. Exposure to absolute maximum rating conditions for extended periods may affect product reliability.

TABLE 5A. POWER SUPPLY DC CHARACTERISTICS, $V_{CC} = V_{CCA} = V_{CCO} = 3.3V \pm 5\%$, $T_A = 0^\circ C$ TO $70^\circ C$

Symbol	Parameter	Test Conditions	Minimum	Typical	Maximum	Units
V_{CC}	Core Supply Voltage		3.135	3.3	3.465	V
V_{CCA}	Analog Supply Voltage		3.135	3.3	3.465	V
V_{CCO}	Output Supply Voltage		3.135	3.3	3.465	V
I_{CC}	Power Supply Current				165	mA
I_{CCA}	Analog Supply Current				15	mA

TABLE 5B. LVCMOS/LVTTL DC CHARACTERISTICS, $V_{CC} = V_{CCA} = V_{CCO} = 3.3V \pm 5\%$, $T_A = 0^\circ C$ TO $70^\circ C$

Symbol	Parameter	Test Conditions	Minimum	Typical	Maximum	Units
V_{IH}	Input High Voltage	CLK1	2		$V_{CC} + 0.3$	V
		CLK_SEL, PLL_SEL, DIV_SELAx, DIV_SELBx, FB DIV_SELx, MR	2		$V_{CC} + 0.3$	V
V_{IL}	Input Low Voltage	CLK1	-0.3		1.3	V
		CLK_SEL, PLL_SEL, DIV_SELAx, DIV_SELBx, FB DIV_SELx, MR	-0.3		0.8	V
I_{IH}	Input High Current	CLK_SEL, MR, CLK1 DIV_SELAx, DIV_SELBx, FB DIV_SELx	$V_{CC} = V_{IN} = 3.465V$		150	μA
		PLL_SEL	$V_{CC} = V_{IN} = 3.465V$		5	μA
I_{IL}	Input Low Current	CLK_SEL, MR, CLK1 DIV_SELAx, DIV_SELBx, FB DIV_SELx	$V_{CC} = 3.465V,$ $V_{IN} = 0V$	-5		μA
		PLL_SEL	$V_{CC} = 3.465V,$ $V_{IN} = 0V$	-150		μA



ICS8732-01

LOW VOLTAGE, LOW SKEW 3.3V LVPECL CLOCK GENERATOR

TABLE 5C. DIFFERENTIAL DC CHARACTERISTICS, $V_{CC} = V_{CCA} = V_{CCO} = 3.3V \pm 5\%$, $T_A = 0^\circ C$ TO $70^\circ C$

Symbol	Parameter	Test Conditions	Minimum	Typical	Maximum	Units
I_{IH}	Input High Current	CLK0, FB_IN	$V_{CC} = V_{IN} = 3.465V$		150	μA
		nCLK0, nFB_IN	$V_{CC} = V_{IN} = 3.465V$		5	μA
I_{IL}	Input Low Current	CLK0, FB_IN	$V_{CC} = 3.465V, V_{IN} = 0V$	-5		μA
		nCLK0, nFB_IN	$V_{CC} = 3.465V, V_{IN} = 0V$	-150		μA
V_{PP}	Peak-to-Peak Input Voltage		0.15		1.3	V
V_{CMR}	Common Mode Input Voltage; NOTE 1, 2		$V_{EE} + 0.5$		$V_{CC} - 0.85$	V

NOTE 1: For single ended applications, the maximum input voltage for FB_IN, nFB_IN is $V_{CC} + 0.3V$.

NOTE 2: Common mode voltage is defined as V_{IH} .

TABLE 5D. LVPECL DC CHARACTERISTICS, $V_{CC} = V_{CCA} = V_{CCO} = 3.3V \pm 5\%$, $T_A = 0^\circ C$ TO $70^\circ C$

Symbol	Parameter	Test Conditions	Minimum	Typical	Maximum	Units
V_{OH}	Output High Voltage; NOTE 1		$V_{CCO} - 1.4$		0.9	V
V_{OL}	Output Low Voltage; NOTE 1		$V_{CCO} - 2.0$		$V_{CCO} - 1.7$	V
V_{SWING}	Peak-to-Peak Output Voltage Swing		0.6		1.0	V

NOTE 1: Outputs terminated with 50Ω to $V_{CCO} - 2V$.

TABLE 6. PLL INPUT REFERENCE CHARACTERISTICS, $V_{CC} = V_{CCA} = V_{CCO} = 3.3V \pm 5\%$, $T_A = 0^\circ C$ TO $70^\circ C$

Symbol	Parameter	Test Conditions	Minimum	Typical	Maximum	Units
f_{REF}	Input Reference Frequency				200	MHz

TABLE 7. AC CHARACTERISTICS, $V_{CC} = V_{CCA} = V_{CCO} = 3.3V \pm 5\%$, $T_A = 0^\circ C$ TO $70^\circ C$

Symbol	Parameter	Test Conditions	Minimum	Typical	Maximum	Units
f_{MAX}	Output Frequency				350	MHz
$t(\emptyset)$	Static Phase Offset; NOTE 1	PLL_SEL = 3.3V, $f_{REF} = 100MHz, f_{VCO} = 400MHz$	-150		150	ps
$t_{sk(o)}$	Output Skew; NOTE 2, 3, 4				150	ps
$t_{jit(cc)}$	Cycle-to-Cycle Jitter; NOTE 3	CLK0, nCLK			50	ps
		CLK1			80	ps
t_L	PLL Lock Time				10	ms
t_R / t_F	Output Rise/Fall Time	20% to 80%	200		700	ps
odc	Output Duty Cycle	$f_{OUT} \leq 175MHz$	48		52	%

All parameters measured at f_{MAX} unless noted otherwise.

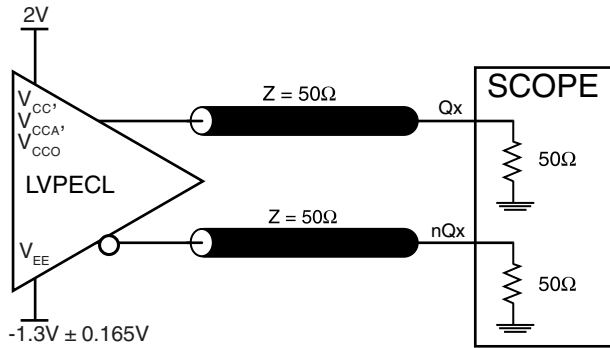
NOTE 1: Defined as the time difference between the input reference clock and the averaged feedback input signal when the PLL is locked and the input reference frequency is stable.

NOTE 2: Defined as skew between outputs at the same supply voltage and with equal load conditions. Measured at the output differential cross points.

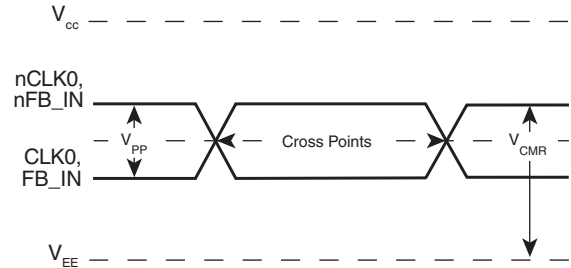
NOTE 3: This parameter is defined in accordance with JEDEC Standard 65.

NOTE 4: All outputs in divide by 4 configuration.

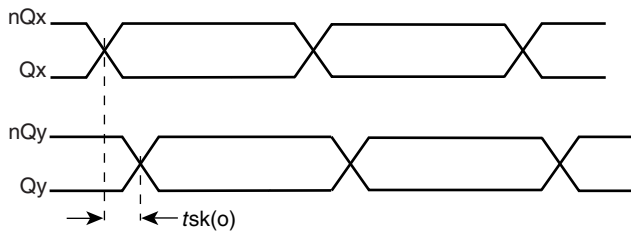
PARAMETER MEASUREMENT INFORMATION



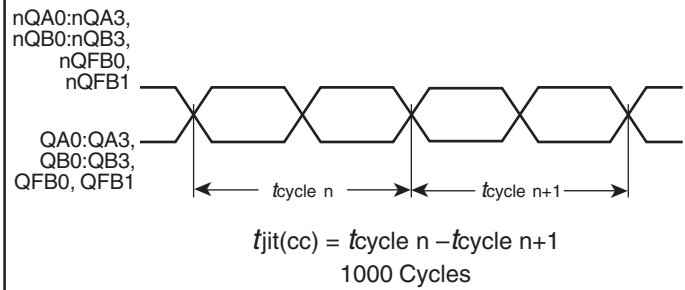
3.3V OUTPUT LOAD AC TEST CIRCUIT



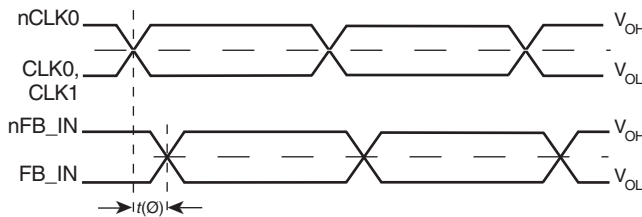
DIFFERENTIAL INPUT LEVEL



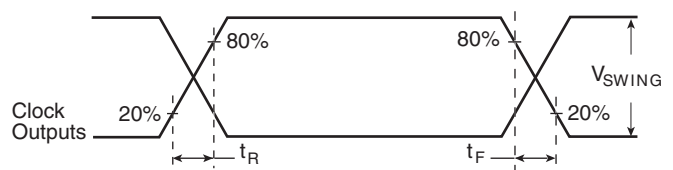
OUTPUT SKEW



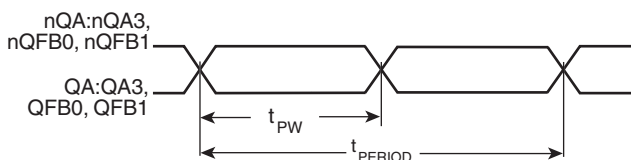
CYCLE-TO-CYCLE JITTER



STATIC PHASE OFFSET



OUTPUT RISE/FALL TIME



OUTPUT DUTY CYCLE/PULSE WIDTH/PERIOD

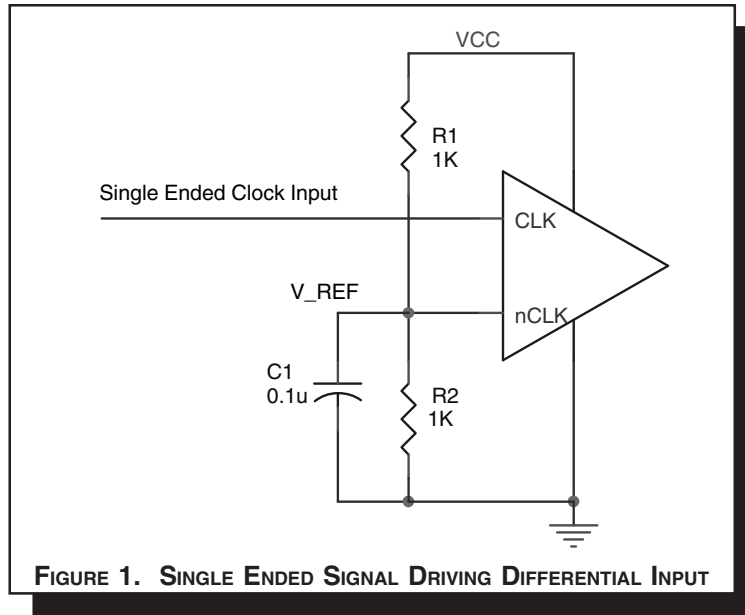
$$odc = \frac{t_{PW}}{t_{PERIOD}} \times 100\%$$

APPLICATION INFORMATION

WIRING THE DIFFERENTIAL INPUT TO ACCEPT SINGLE ENDED LEVELS

Figure 1 shows how the differential input can be wired to accept single ended levels. The reference voltage $V_{REF} = V_{CC}/2$ is generated by the bias resistors R1, R2 and C1. This bias circuit should be located as close as possible to the input pin.

The ratio of R1 and R2 might need to be adjusted to position the V_{REF} in the center of the input voltage swing. For example, if the input clock swing is only 2.5V and $V_{CC} = 3.3V$, V_{REF} should be 1.25V and $R2/R1 = 0.609$.



TERMINATION FOR LVPECL OUTPUTS

The clock layout topology shown below is a typical termination for LVPECL outputs. The two different layouts mentioned are recommended only as guidelines.

FOUT and nFOUT are low impedance follower outputs that generate ECL/LVPECL compatible outputs. Therefore, terminating resistors (DC current path to ground) or current sources must be used for functionality. These outputs are designed to

drive 50Ω transmission lines. Matched impedance techniques should be used to maximize operating frequency and minimize signal distortion. Figures 2A and 2B show two different layouts which are recommended only as guidelines. Other suitable clock layouts may exist and it would be recommended that the board designers simulate to guarantee compatibility across all printed circuit and clock component process variations.

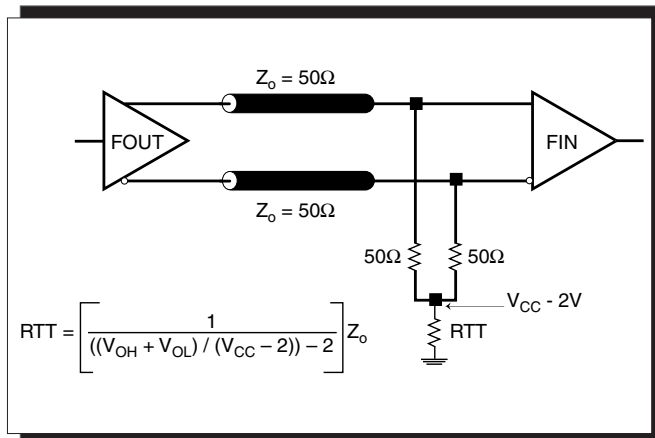


FIGURE 2A. LVPECL OUTPUT TERMINATION

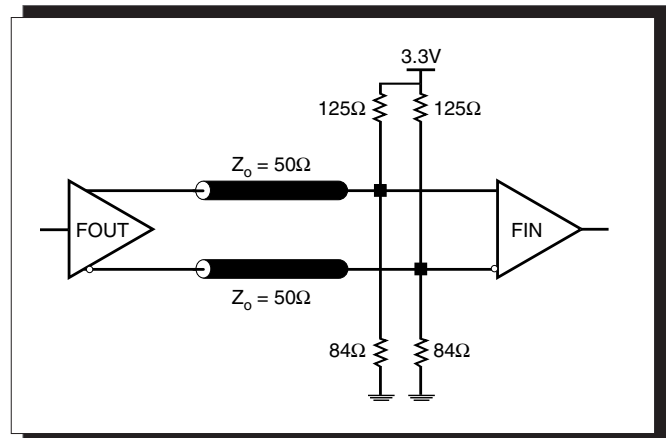


FIGURE 2B. LVPECL OUTPUT TERMINATION

POWER SUPPLY FILTERING TECHNIQUES

As in any high speed analog circuitry, the power supply pins are vulnerable to random noise. The ICS8732-01 provides separate power supplies to isolate any high switching noise from the outputs to the internal PLL. V_{CC} , V_{CCA} and V_{CCO} should be individually connected to the power supply plane through vias, and bypass capacitors should be used for each pin. To achieve optimum jitter performance, power supply isolation is required. *Figure 3* illustrates how a 10Ω resistor along with a $10\mu\text{F}$ and a $.01\mu\text{F}$ bypass capacitor should be connected to each V_{CCA} pin.

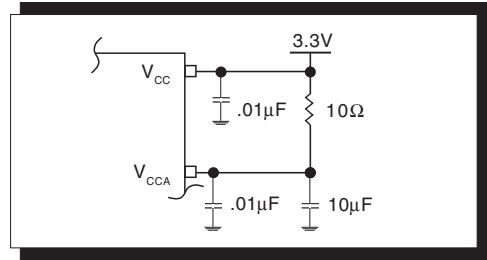


FIGURE 3. POWER SUPPLY FILTERING

DIFFERENTIAL CLOCK INPUT INTERFACE

The CLK/nCLK accepts LVDS, LVPECL, LVHSTL, SSTL, HCSL and other differential signals. Both V_{SWING} and V_{OH} must meet the V_{PP} and V_{CMR} input requirements. Figures 4A to 4D show interface examples for the CLK/nCLK input driven by the most common driver types. The input interfaces suggested here are examples only. Please consult with the vendor of the driver

component to confirm the driver termination requirements. For example in *Figure 4A*, the input termination applies for LVHSTL drivers. If you are using an LVHSTL driver from another vendor, use their termination recommendation.

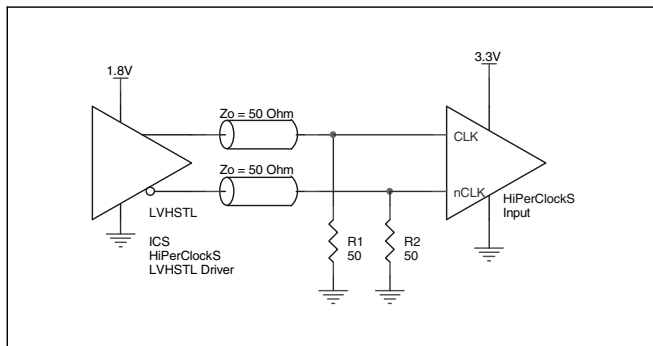


FIGURE 4A. CLK/nCLK INPUT DRIVEN BY LVHSTL DRIVER

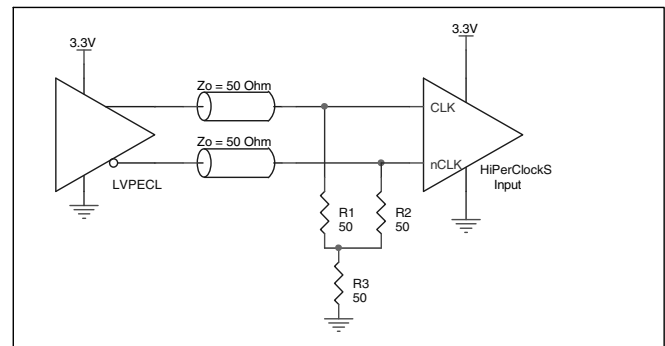


FIGURE 4B. CLK/nCLK INPUT DRIVEN BY 3.3V LVPECL DRIVER

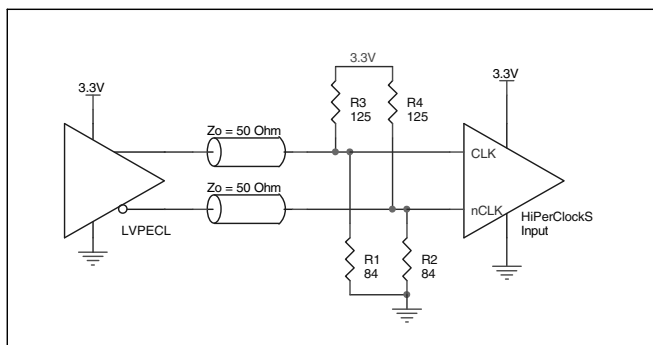


FIGURE 4C. CLK/nCLK INPUT DRIVEN BY 3.3V LVPECL DRIVER

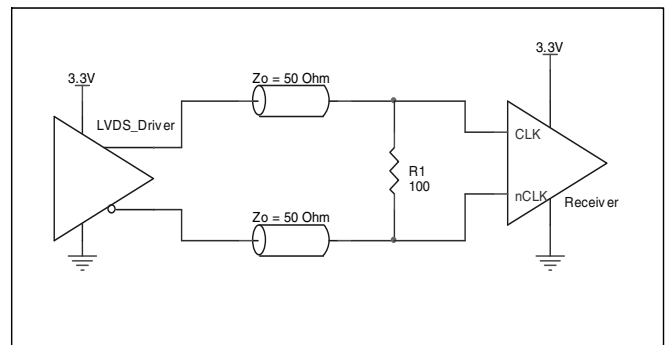


FIGURE 4D. CLK/nCLK INPUT DRIVEN BY 3.3V LVDS DRIVER

LAYOUT GUIDELINE

Figure 5 shows a schematic example of the ICS8732-01. In this example, the CLK0/nCLK0 input is selected. The decoupling capacitors should be physically located near the power pin. For ICS8732-01, the unused outputs can be left floating.

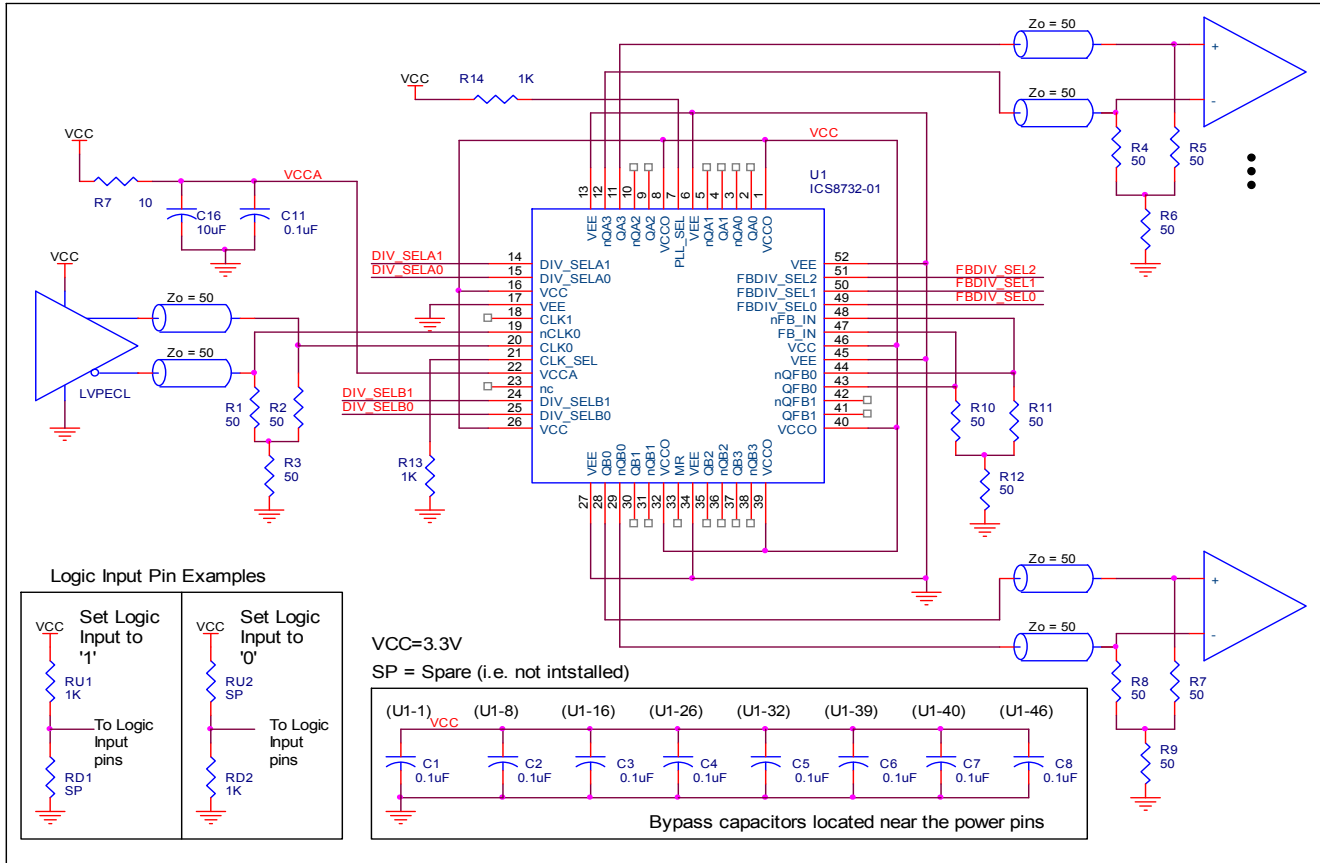


FIGURE 5. ICS8732-01 LVPECL BUFFER SCHEMATIC EXAMPLE



POWER CONSIDERATIONS

This section provides information on power dissipation and junction temperature for the ICS8732-01. Equations and example calculations are also provided.

1. Power Dissipation.

The total power dissipation for the ICS8732-01 is the sum of the core power plus the power dissipated in the load(s). The following is the power dissipation for $V_{CC} = 3.3V + 5\% = 3.465V$, which gives worst case results.

NOTE: Please refer to Section 3 for details on calculating power dissipated in the load.

- Power (core)_{MAX} = $V_{CC_MAX} * I_{EE_MAX} = 3.465V * 165mA = 572mW$
- Power (outputs)_{MAX} = **30mW/Loaded Output pair**
 If all outputs are loaded, the total power is $10 * 30mW = 300mW$

Total Power_{MAX} (3.465V, with all outputs switching) = $572mW + 300mW = 872mW$

2. Junction Temperature.

Junction temperature, T_j , is the temperature at the junction of the bond wire and bond pad and directly affects the reliability of the device. The maximum recommended junction temperature for the devices is 125°C.

The equation for T_j is as follows: $T_j = \theta_{JA} * Pd_total + T_A$

T_j = Junction Temperature

θ_{JA} = Junction-to-Ambient Thermal Resistance

Pd_total = Total Device Power Dissipation (example calculation is in section 1 above)

T_A = Ambient Temperature

In order to calculate junction temperature, the appropriate junction-to-ambient thermal resistance θ_{JA} must be used. Assuming a moderate air flow of 200 linear feet per minute and a multi-layer board, the appropriate value is 36.4°C/W per Table 8 below.

Therefore, T_j for an ambient temperature of 70°C with all outputs switching is:

$$70^\circ C + 0.872W * 36.4^\circ C/W = 101.7^\circ C. \text{ This is well below the limit of } 125^\circ C.$$

This calculation is only an example. T_j will obviously vary depending on the number of loaded outputs, supply voltage, air flow, and the type of board (single layer or multi-layer).

TABLE 8. THERMAL RESISTANCE θ_{JA} FOR 52-PIN LQFP, FORCED CONVECTION

θ_{JA} by Velocity (Linear Feet per Minute)			
	0	200	500
Single-Layer PCB, JEDEC Standard Test Boards	58.0°C/W	47.1°C/W	42.0°C/W
Multi-Layer PCB, JEDEC Standard Test Boards	42.3°C/W	36.4°C/W	34.0°C/W

NOTE: Most modern PCB designs use multi-layered boards. The data in the second row pertains to most designs.

3. Calculations and Equations.

The purpose of this section is to derive the power dissipated into the load.

LVPECL output driver circuit and termination are shown in *Figure 6*.

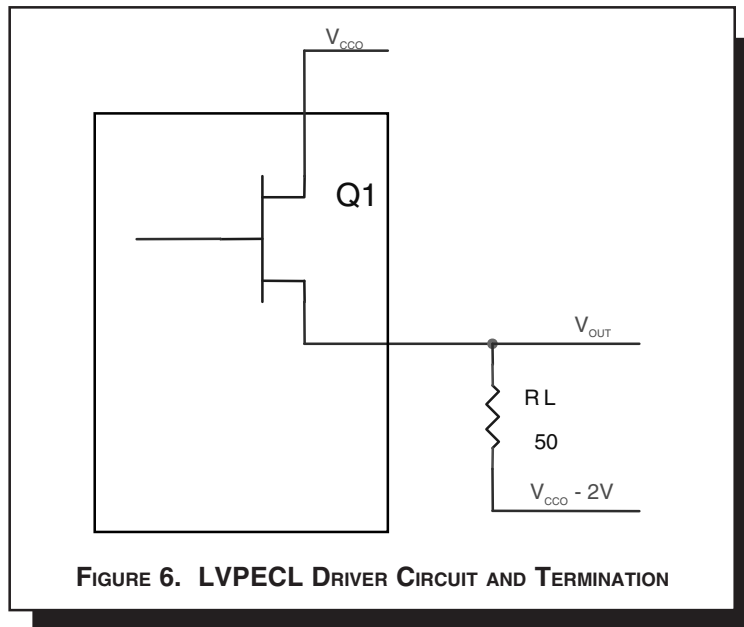


FIGURE 6. LVPECL DRIVER CIRCUIT AND TERMINATION

To calculate worst case power dissipation into the load, use the following equations which assume a 50Ω load, and a termination voltage of $V_{CCO} - 2V$.

- For logic high, $V_{OUT} = V_{OH_MAX} = V_{CCO_MAX} - 0.9V$

$$(V_{CCO_MAX} - V_{OH_MAX}) = 0.9V$$

- For logic low, $V_{OUT} = V_{OL_MAX} = V_{CCO_MAX} - 1.7V$

$$(V_{CCO_MAX} - V_{OL_MAX}) = 1.7V$$

Pd_H is power dissipation when the output drives high.

Pd_L is the power dissipation when the output drives low.

$$Pd_H = [(V_{OH_MAX} - (V_{CCO_MAX} - 2V))/R_L] * (V_{CCO_MAX} - V_{OH_MAX}) = [(2V - (V_{CCO_MAX} - V_{OH_MAX}))/R_L] * (V_{CCO_MAX} - V_{OH_MAX}) = [(2V - 0.9V)/50\Omega] * 0.9V = 19.8mW$$

$$Pd_L = [(V_{OL_MAX} - (V_{CCO_MAX} - 2V))/R_L] * (V_{CCO_MAX} - V_{OL_MAX}) = [(2V - (V_{CCO_MAX} - V_{OL_MAX}))/R_L] * (V_{CCO_MAX} - V_{OL_MAX}) = [(2V - 1.7V)/50\Omega] * 1.7V = 10.2mW$$

Total Power Dissipation per output pair = $Pd_H + Pd_L = 30mW$



RELIABILITY INFORMATION

TABLE 9. θ_{JA} VS. AIR FLOW TABLE FOR 52 LEAD LQFP

θ_{JA} by Velocity (Linear Feet per Minute)			
	0	200	500
Single-Layer PCB, JEDEC Standard Test Boards	58.0°C/W	47.1°C/W	42.0°C/W
Multi-Layer PCB, JEDEC Standard Test Boards	42.3°C/W	36.4°C/W	34.0°C/W

NOTE: Most modern PCB designs use multi-layered boards. The data in the second row pertains to most designs.

TRANSISTOR COUNT

The transistor count for ICS8732-01 is: 4916

PACKAGE OUTLINE - Y SUFFIX FOR 52 LEAD LQFP

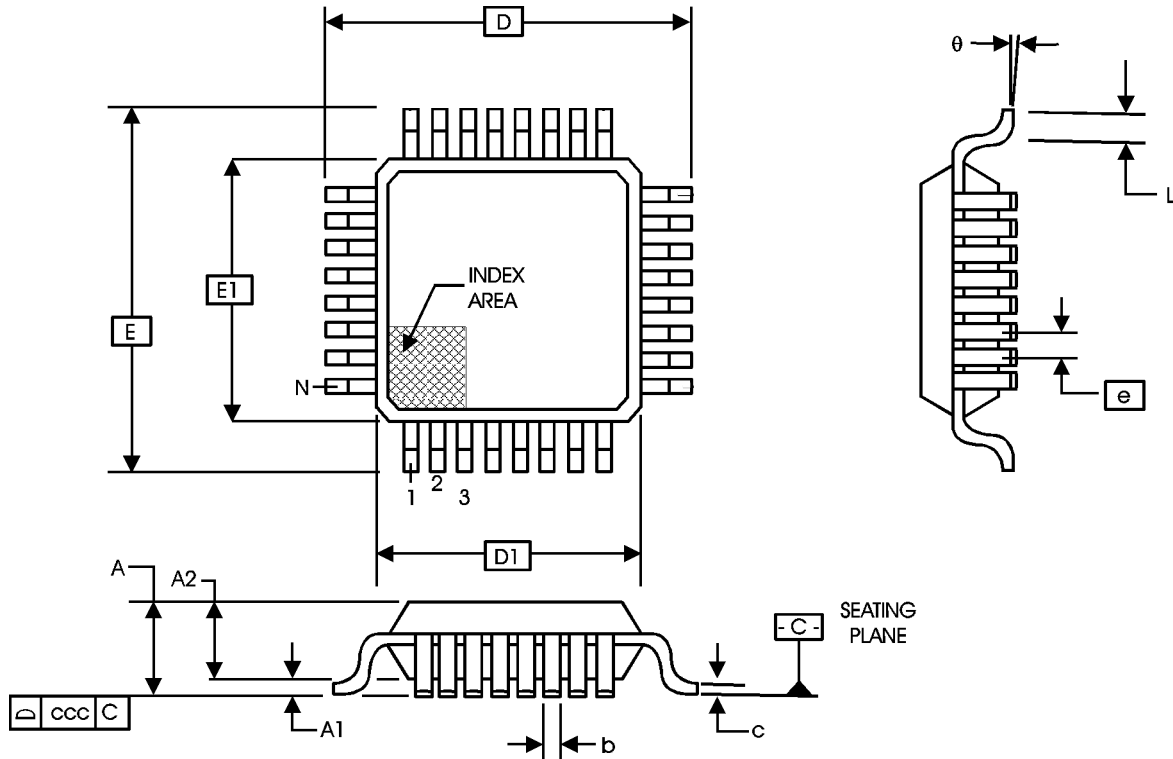


TABLE 10. PACKAGE DIMENSIONS

JEDEC VARIATION ALL DIMENSIONS IN MILLIMETERS			
SYMBOL	BCC		
	MINIMUM	NOMINAL	MAXIMUM
N	52		
A	--	--	1.60
A1	0.05	--	0.15
A2	1.35	1.40	1.45
b	0.22	0.32	0.38
c	0.09	--	0.20
D	12.00 BASIC		
D1	10.00 BASIC		
E	12.00 BASIC		
E1	10.00 BASIC		
e	0.65 BASIC		
L	0.45	--	0.75
θ	0°	--	7°
ccc	--	--	0.08

Reference Document: JEDEC Publication 95, MS-026



ICS8732-01

LOW VOLTAGE, LOW SKEW
3.3V LVPECL CLOCK GENERATOR

TABLE 11. ORDERING INFORMATION

Part/Order Number	Marking	Package	Shipping Packaging	Temperature
8732AY-01	ICS8732AY-01	52 Lead LQFP	tray	0°C to 70°C
8732AY-01T	ICS8732AY-01	52 Lead LQFP	500 tape & reel	0°C to 70°C
8732AY-01LF	ICS8732AY-01	52 Lead "Lead Free" LQFP	tray	0°C to 70°C
8732AY-01LFT	ICS8732AY-01LF	52 Lead "Lead Free" LQFP	500 tape & reel	0°C to 70°C

NOTE: Parts that are ordered with an "LF" suffix to the part number are the Pb-Free configuration and are RoHS compliant.

While the information presented herein has been checked for both accuracy and reliability, Integrated Device Technology, Inc. (IDT) assumes no responsibility for either its use or for infringement of any patents or other rights of third parties, which would result from its use. No other circuits, patents, or licenses are implied. This product is intended for use in normal commercial and industrial applications. Any other applications such as those requiring high reliability, or other extraordinary environmental requirements are not recommended without additional processing by IDT. IDT reserves the right to change any circuitry or specifications without notice. IDT does not authorize or warrant any IDT product for use in life support devices or critical medical instruments.



ICS8732-01
LOW VOLTAGE, LOW SKEW
3.3V LVPECL CLOCK GENERATOR

REVISION HISTORY SHEET				
Rev	Table	Page	Description of Change	Date
B	T2 T4A	1	Features Section - changed VCO min. from 200MHz to 250MHz.	5/20/03
		3	Pin Characteristics Table - changed C_{IN} from max. 4pF to typical 4pF.	
		4	Qx Output Frequency Table - changed the CLK1 min. column to correlate with the VCO change.	
		5	Absolute Maximum Ratings - changed V_O to I_O and included Continuous Current and Surge Current	
		8	Added <i>Differential Clock Input Interface</i> in the Application Information section.	
C	T5A	5	Power Supply DC Characteristics Table - changed IEE from 240mA max. to 165mA max., and ICCA from 14mA max. to 15mA max. Power Considerations - recalculated Power Dissipation and Junction Temperatures to correspond with Table 5A.	6/23/03
C		8	Updated LVPECL Output Termination diagrams.	9/24/03
		10	Added Schematic Layout.	
C		1	Block Diagram - changed REF_SEL to CLK_SEL.	3/3/04
C	T11	15	Ordering Information Table - corrected Tape & Reel Count to read 500 from 1000.	4/29/04
C	T4A	4	Qx Output Frequency Table - changed NOTE 2 from "200MHz" to "175MHz".	10/19/04
C	T11	1	Features Section - added Lead Free bullet.	5/23/05
		15	Ordering Information Table - added Lead Free part number and note.	
C	T5A	5	Power Supply DC Characteristics Table - corrected I_{EE} to read I_{CC} .	5/31/05
D	T5D	6	LVPECL DC Characteristics Table -corrected V_{OH} max. from $V_{CCO} - 1.0V$ to $V_{CCO} - 0.9V$.	4/13/07
		11 - 12	Power Considerations - corrected power dissipation to reflect V_{OH} max in Table 5D.	
E	T11	15 17	Updated datasheet's header/footer with IDT from ICS. Removed ICS prefix from Part/Order Number column. Added Contact Page.	7/31/10



ICS8732-01
LOW VOLTAGE, LOW SKEW
3.3V LVPECL CLOCK GENERATOR

We've Got Your Timing Solution.



6024 Silver Creek Valley Road
San Jose, CA 95138

Sales
800-345-7015 (inside USA)
+408-284-8200 (outside USA)
Fax: 408-284-2775

Tech Support
netcom@idt.com

© 2010 Integrated Device Technology, Inc. All rights reserved. Product specifications subject to change without notice. IDT, the IDT logo, ICS and HiPerClockS are trademarks of Integrated Device Technology, Inc. Accelerated Thinking is a service mark of Integrated Device Technology, Inc. All other brands, product names and marks are or may be trademarks or registered trademarks used to identify products or services of their respective owners.
Printed in USA