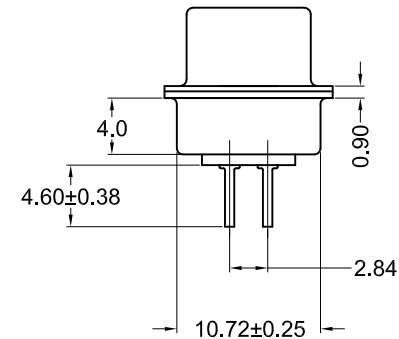


Recommended PCB Layout
(Top View)

Boardlock not shown
in this view



Material and Finish

Shell: Steel, Nickel plated
Insulator: PBT thermoplastic with glass-fiber reinforcement, UL94V-0 rated
Color: Black

Contact Material:
Plug - Brass

Contact Plating Options:
Standard: gold flash on mating end, tin on termination end, nickel underplate on entire contact
15 Option: 15u" gold on mating end, tin on termination end, nickel underplate on entire contact

30 Option: 30u" gold on mating end, tin on termination end, nickel underplate on entire contact

Electrical Specifications

Rated Current: 2A
Rated Voltage: 30V RMS
Insulation Resistance: more than 1000 megohms at 500V DC
Contact Resistance: 13 milliohms max.
Dielectric Withstanding Voltage: 1000V for 1 minute
Operating Temperature: -55°C to +105°C

Ordering Information

Part Number	Contact Area Plating Finish
K85X-CD-37P-BR	Gold Flash (standard)
K85X-CD-37P-BR15	15u" Gold (15 option)
K85X-CD-37P-BR30	30u" Gold (30 option)

Tolerances

X.X ± 0.25
X.XX ± 0.15
Unless Stated
Otherwise



REV.	DATE	DESCRIPTION	REV. BY	CHK. BY	DRAWN BY	DATE
A1	06/21/06	New Drawing	R. Aguirre	H. MA	R. Aguirre	06/21/06
A2	1/9/08	ECO #07-052	WILL H.	H. MA		
A3	08/10/11	ECO #11-053	S. Vien	H. MA		
A4	12/31/17	ECO #17-030	G. Serrato	C. Furumasa		
					UNITS	
					mm	

K85X-CD-37P-BR

Vertical PCB Mount D-Sub, RoHS Compliant

37 pos. male w/boardlocks

