

D

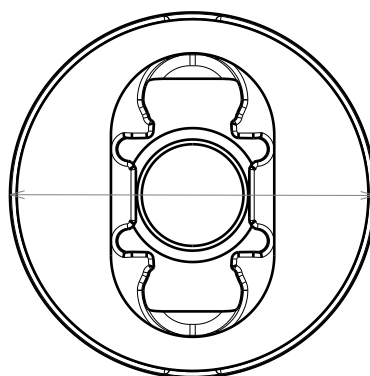
C

B

A

4

4



∅16.1

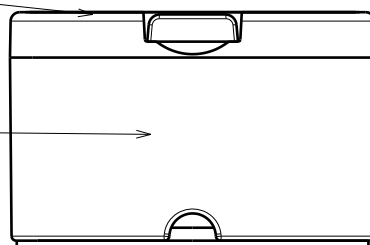
3

3

Lens

Holder

Tape 0.4mm

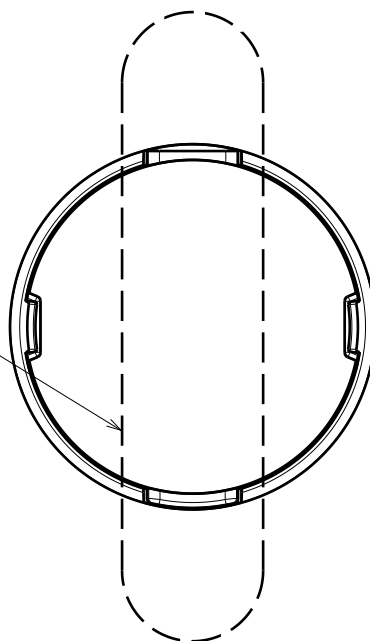


10.47

2

2

Oval beam direction  
(0-90 is turned 90 degree)



MATERIALS  
 Lens: PMMA  
 Holder: PC  
 Tape: PU Foam

This drawing is our property.  
 It can't be reproduced  
 or communicated without  
 our written agreement.



Ledil Oy  
 Salorankatu 10  
 FIN-24100 SALO  
 Finland

DRAWING TITLE

Datasheet Tina2-CLL

DRAWN BY

ah

DATE

16.5.2012

CHECKED BY

DATE

16.5.2012

SIZE

A4

DRAWING NUMBER

REV

1

DESIGNED BY

ah

DATE

18.10.2011

SCALE

3:1

WEIGHT (g)

-

SHEET

1/1

D

A

1

1