



**Ordering number CP12857\_EVA-O**

Family	Eva	FWHM	20.5+37 degrees
Type	Assembly	Efficiency	83 %
LED	LUXEON M	cd/lm	2.700
Color	Black	Gerber File	Available
Diameter	37.7 mm		
Height	17 mm		
Style	Round		
Optic Material	PMMA		
Holder Material	PC		
Fastening	Screw, glue		
Status	Ready		



**Ordering number CA12858\_EVA-O**

Family	Eva	FWHM	20.5+37 degrees
Type	Assembly	Efficiency	83 %
LED	LUXEON M	cd/lm	2.700
Color	Black	Gerber File	Available
Diameter	37.7 mm		
Height	17.2 mm		
Style	Round		
Optic Material	PMMA		
Holder Material	PC		
Fastening	Screw, tape		
Status	Ready		



**Ordering number CP12818\_EVA-D**

Family	Eva	FWHM	21 degrees
Type	Assembly	Efficiency	89 %
LED	LUXEON M	cd/lm	4.200
Color	Black	Gerber File	Available
Diameter	37.7 mm		
Height	17 mm		
Style	Round		
Optic Material	PMMA		
Holder Material	PC		
Fastening	Screw, glue		
Status	Ready		



**Ordering number CA12802\_EVA-D**

Family	Eva	FWHM	21 degrees
Type	Assembly	Efficiency	89 %
LED	LUXEON M	cd/lm	4.200
Color	Black	Gerber File	Available
Diameter	37.7 mm		
Height	17.2 mm		
Style	Round		
Optic Material	PMMA		
Holder Material	PC		
Fastening	Screw, tape		
Status	Ready		



**Ordering number CP12819\_EVA-M**

Family	Eva	FWHM	26 degrees
Type	Assembly	Efficiency	87 %
LED	LUXEON M	cd/lm	2.800
Color	Black	Gerber File	Available
Diameter	37.7 mm		
Height	17 mm		
Style	Round		
Optic Material	PMMA		
Holder Material	PC		
Fastening	Screw, glue		
Status	Ready		



**Ordering number CA12803\_EVA-M**

Family	Eva	FWHM	26 degrees
Type	Assembly	Efficiency	87 %
LED	LUXEON M	cd/lm	2.800
Color	Black	Gerber File	Available
Diameter	37.7 mm		
Height	17 mm		
Style	Round		
Optic Material	PMMA		
Holder Material	PC		
Fastening	Screw, tape		
Status	Ready		



**Ordering number CP12820\_EVA-W**

Family	Eva	FWHM	45 degrees
Type	Assembly	Efficiency	80 %
LED	LUXEON M	cd/lm	1.300
Color	Black	Gerber File	Available
Diameter	37.7 mm		
Height	17 mm		
Style	Round		
Optic Material	PMMA		
Holder Material	PC		
Fastening	Screw, glue		
Status	Ready		



**Ordering number CA12804\_EVA-W**

Family	Eva	FWHM	45 degrees
Type	Assembly	Efficiency	80 %
LED	LUXEON M	cd/lm	1.300
Color	Black	Gerber File	Available
Diameter	37.7 mm		
Height	17 mm		
Style	Round		
Optic Material	PMMA		
Holder Material	PC		
Fastening	Screw, tape		
Status	Ready		



**Ordering number CP12821\_EVA-WW**

Family	Eva	FWHM	65 degrees
Type	Assembly	Efficiency	78 %
LED	LUXEON M	cd/lm	0.700
Color	Black	Gerber File	Available
Diameter	37.7 mm		
Height	17 mm		
Style	Round		
Optic Material	PMMA		
Holder Material	PC		
Fastening	Screw, glue		
Status	Ready		



**Ordering number CA12805\_EVA-WW**

Family	Eva	FWHM	65 degrees
Type	Assembly	Efficiency	78 %
LED	LUXEON M	cd/lm	0.700
Color	Black	Gerber File	Available
Diameter	37.7 mm		
Height	17 mm		
Style	Round		
Optic Material	PMMA		
Holder Material	PC		
Fastening	Screw, tape		
Status	Ready		

**NOTE: The typical divergence will be changed by different color, chip size and chip position tolerance. The typical total divergence is the full angle measured where the luminous intensity is half of the peak value.**



# PRODUCT DATASHEET

## Eva series

last update 14/6/2012



### GENERAL INFORMATION

- Product series especially designed & optimized for LUXEON M series of LEDs.
- Special care taken to make light distribution as uniform as possible.
- Lens material optical grade PMMA with high UV and temperature resistance (105 degrees of Celcius / 220 degrees of Fahrenheit). Allows use of high current and temperature conditions.

Please find more information about used material from below:

[http://ledil.fi/sites/default/files/Documents/Technical/Material/PMMA%20N%20UL94\\_Yellow%20Card.pdf](http://ledil.fi/sites/default/files/Documents/Technical/Material/PMMA%20N%20UL94_Yellow%20Card.pdf)

<http://ledil.fi/sites/default/files/Documents/Technical/Material/PMMA%20N%20PLEXIGLAS-Datasheet.pdf>

- Optic holder molded by high quality PC material (120 dergees of Celcius / 248 degrees of Fahrenheit).

- Fastening to heat sink with a PU foam adhesive tape of automotive grade. Please find fastening details by clicking link: [http://www.ledil.com/datasheets/DataSheet\\_TAPE.pdf](http://www.ledil.com/datasheets/DataSheet_TAPE.pdf)

- Fastening to PCB with appropriate adhesive. By clicking link below you can find Ledil recommended glue options.

[http://www.ledil.com/datasheets/DataSheet\\_GLUES.pdf](http://www.ledil.com/datasheets/DataSheet_GLUES.pdf)

**NOTE 1: We advise customer to ensure the suitability and sufficiency of the bond in the end product. For example, mechanical stress, vibration and holes on the surface of the circuit board weaken the strength of the tape.**

**NOTE 2: Assembly to the surface must be made straight, so the tape bonds constant and balanced with fastening surface. Slanted assembly might cause unbalanced bond to the surface. All surfaces where tape is applied must be clean, dry and free from grease and dirt.**

**If cleaning of PCB surfaces is needed, please follow strictly the cleaning instructions of your LED manufacturer - this is important as cleaning shall under no circumstances damage LEDs or other electronics components on the PCB.**

**Further note that optical components shall not be cleaned with any chemicals - only micro fiber cloth may be used to remove fingerprints or other traces from handling.**

**NOTE 1: We advise customer to ensure the suitability and sufficiency of the bond in the end product. For example, mechanical stress, vibration and holes on the surface of the circuit board weaken the strength of the glue.**

**NOTE 2: All surfaces where glue is applied must be clean, dry and free from grease and dirt. If cleaning of PCB surfaces is needed, please follow strictly the cleaning instructions of your LED manufacturer -this is important as cleaning shall under no circumstances damage LEDs or other electronics components on the PCB.**

**Further note that optical components shall not be cleaned with any chemicals - only micro fiber cloth may be used to remove fingerprints or other traces from handling.**

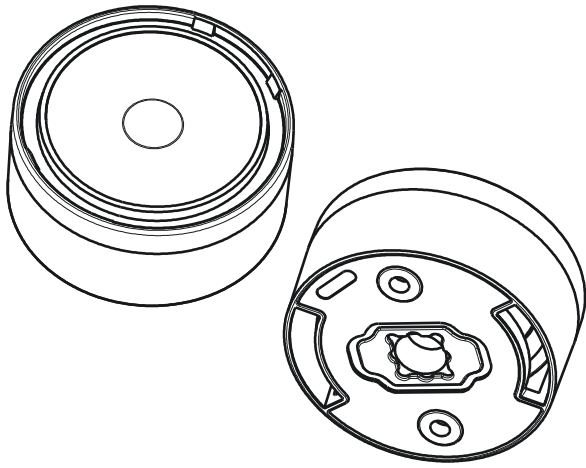
D

C

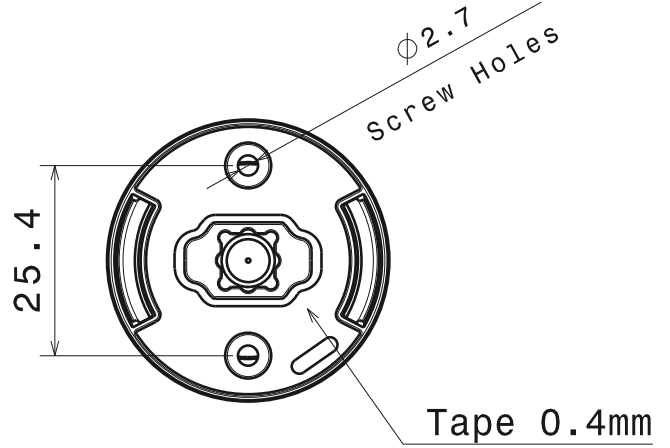
B

A

4

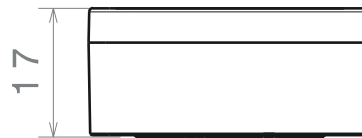


Isometric view



Tape 0.4mm

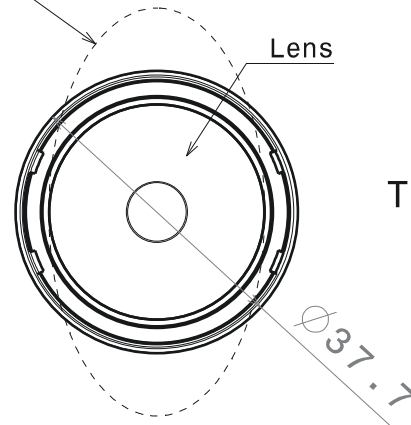
3



Front view

2

Oval beam direction



Top view

Materials:  
 Lens PMMA  
 Holder PC, BLACK

This drawing is our property.  
 It can't be reproduced  
 or communicated without  
 our written agreement.



Ledil Oy  
 Tehdaskatu 13  
 FIN-24100 SALO  
 Finland

DRAWING TITLE

Datasheet EVA-LUXEON-M Assembly

DRAWN BY

mav

DATE

12.4.2012

CHECKED BY

sn

DATE

12.4.2012

SIZE

A4

DRAWING NUMBER

REV

1

DESIGNED BY

p1

DATE

17.02.2011

SCALE

2:1

WEIGHT (g)

SHEET

1/1

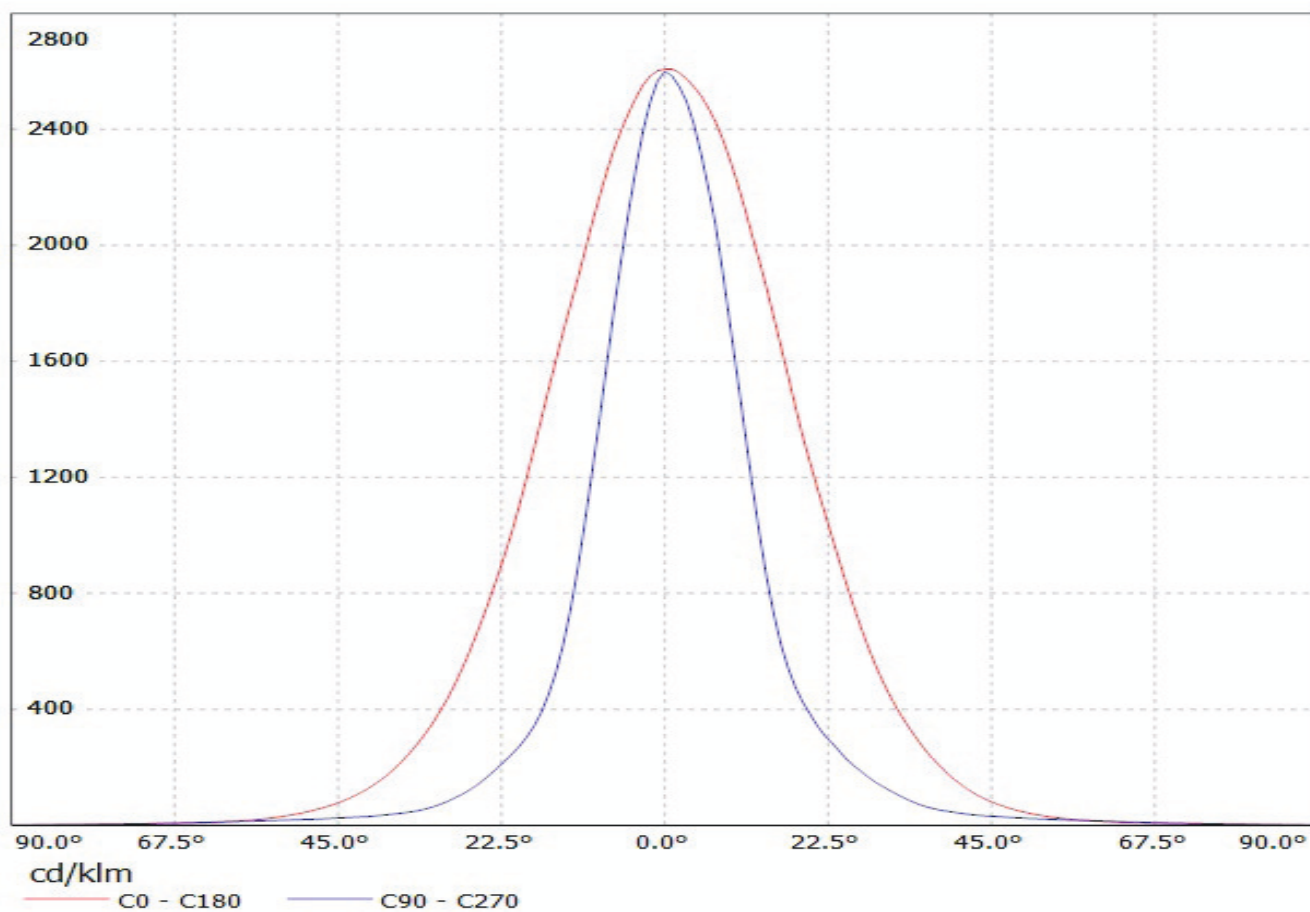
D

A

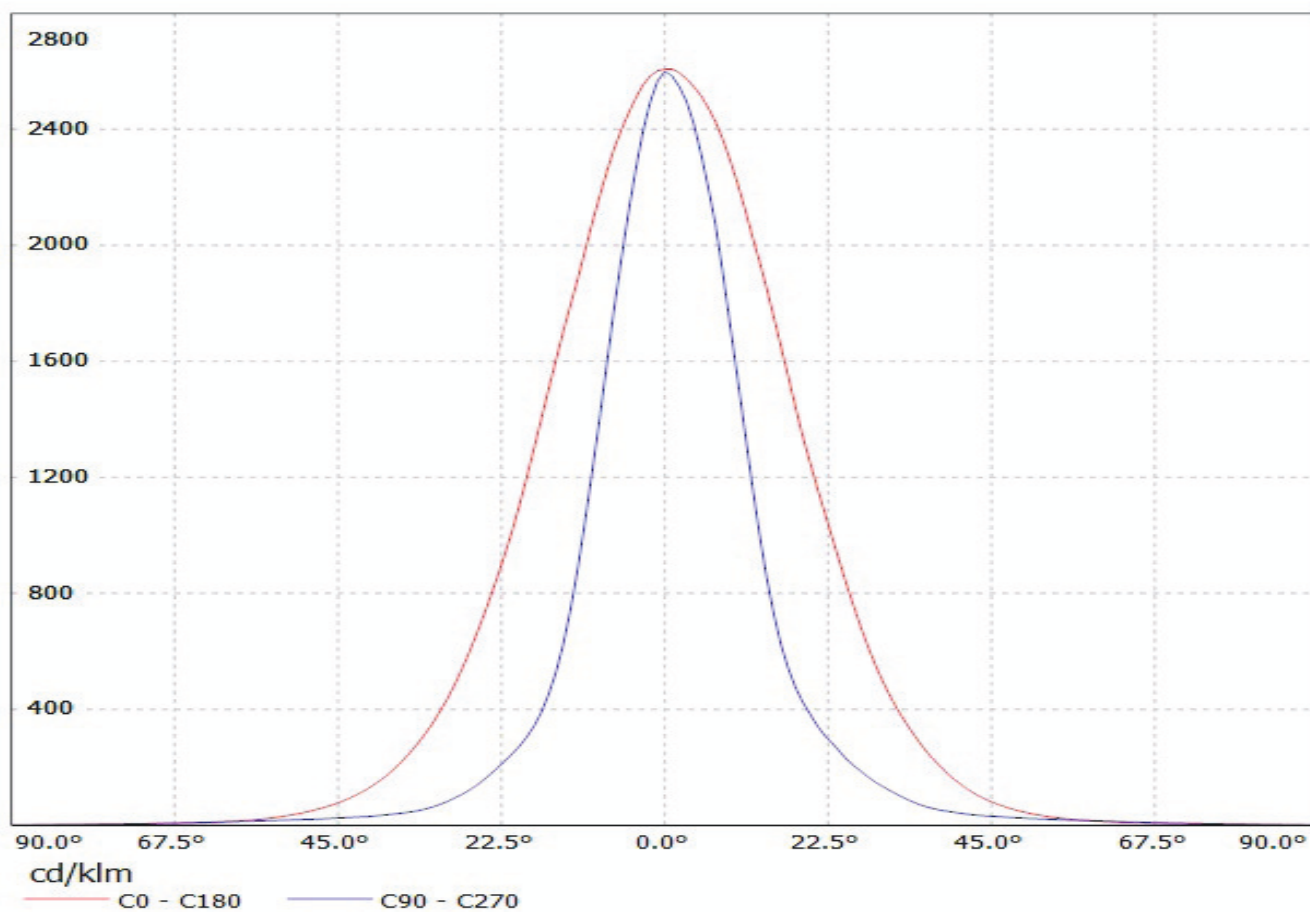
1

1

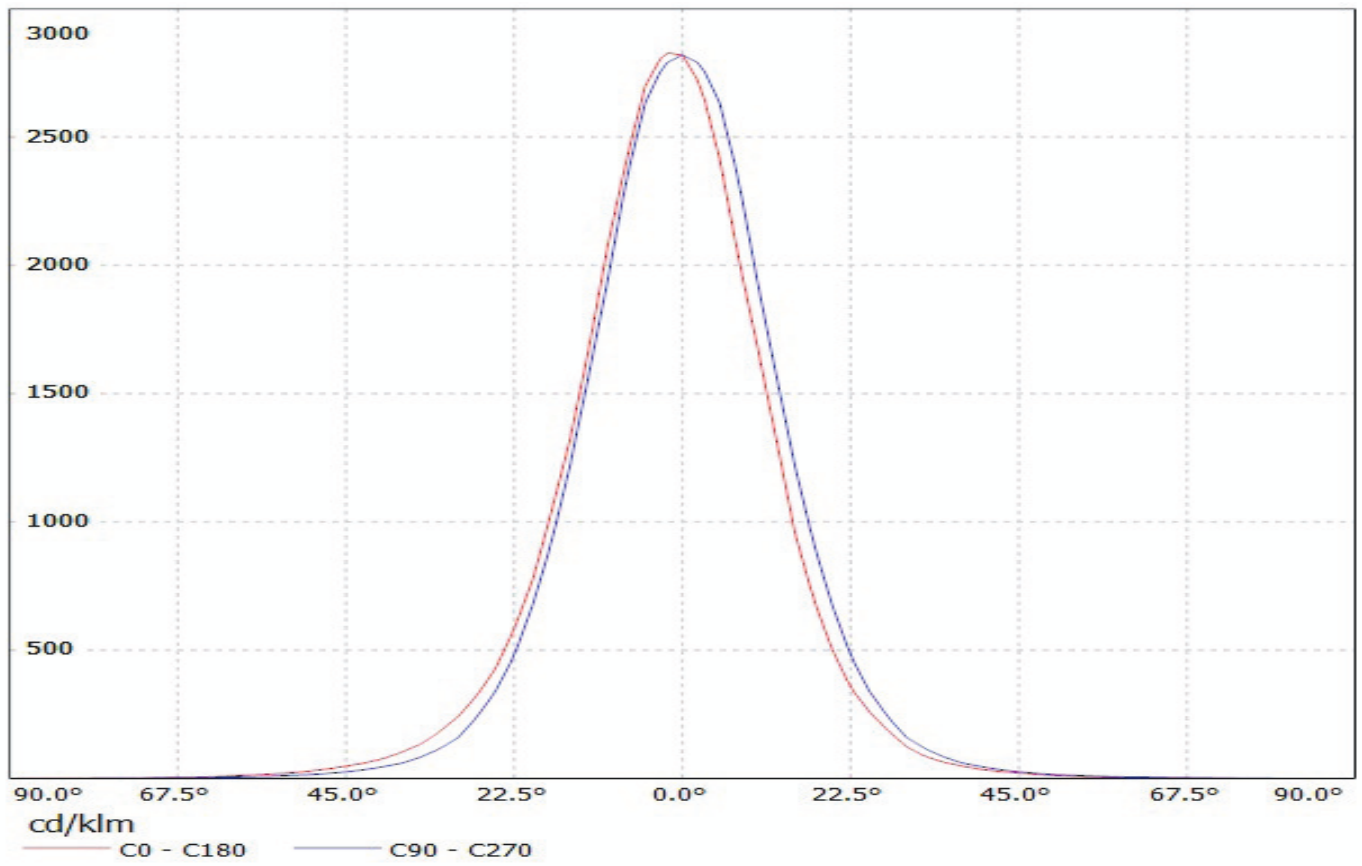
Luminaire: LEDIL OY CA12858\_EVA-O / CP12857\_EVA-O (Luxeon M) Efficiency=83%  
Lamps: 1 x Luxeon M (362lm @ 250mA)



Luminaire: LEDIL OY CA12858\_EVA-O / CP12857\_EVA-O (Luxeon M) Efficiency=83%  
Lamps: 1 x Luxeon M (362lm @ 250mA)

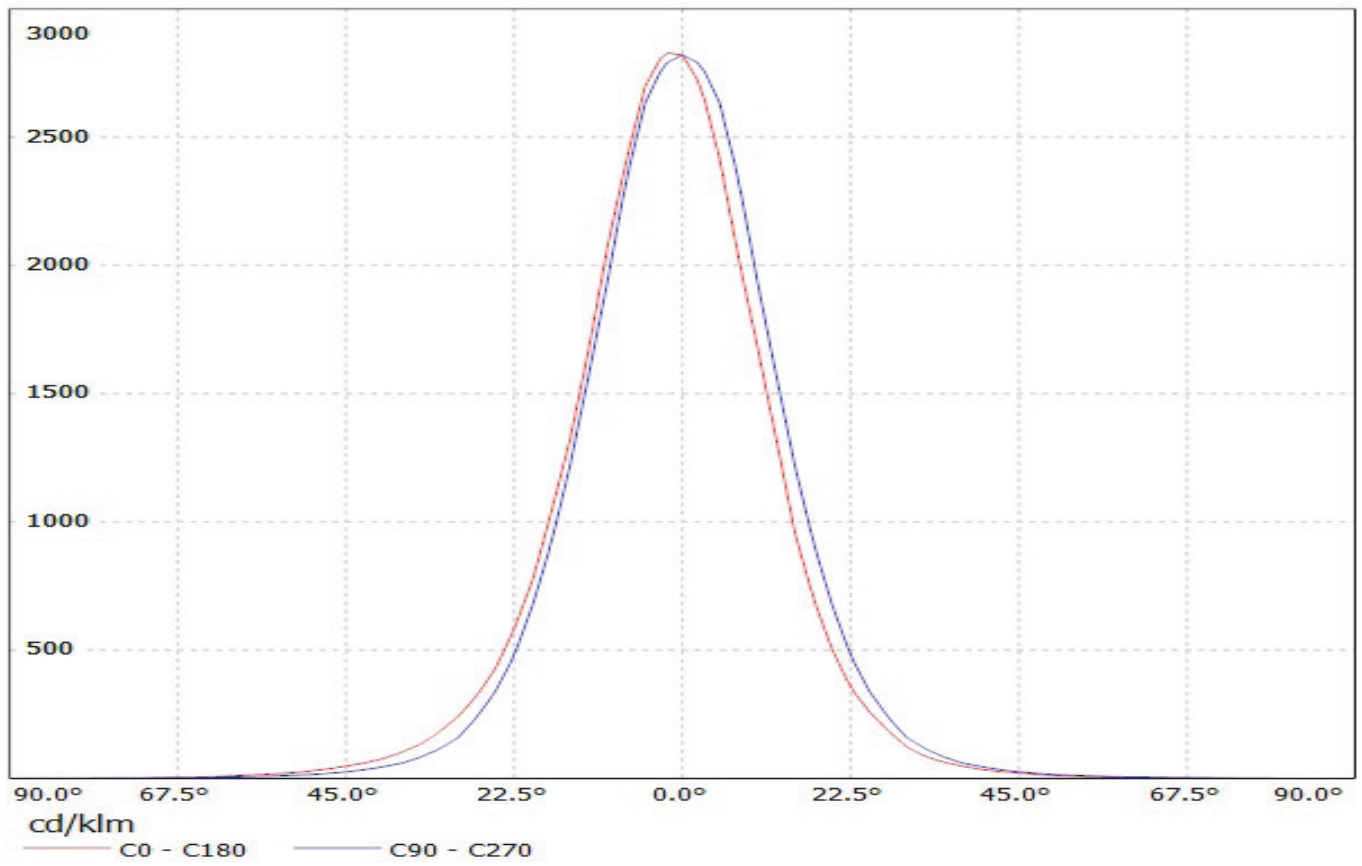


Luminaire: Ledil Oy CA12803\_EVA-M & CP12819\_EVA-M (Luxeon M) Efficiency=87%  
Lamps: 1 x Luxeon M 362lm @ 250mA

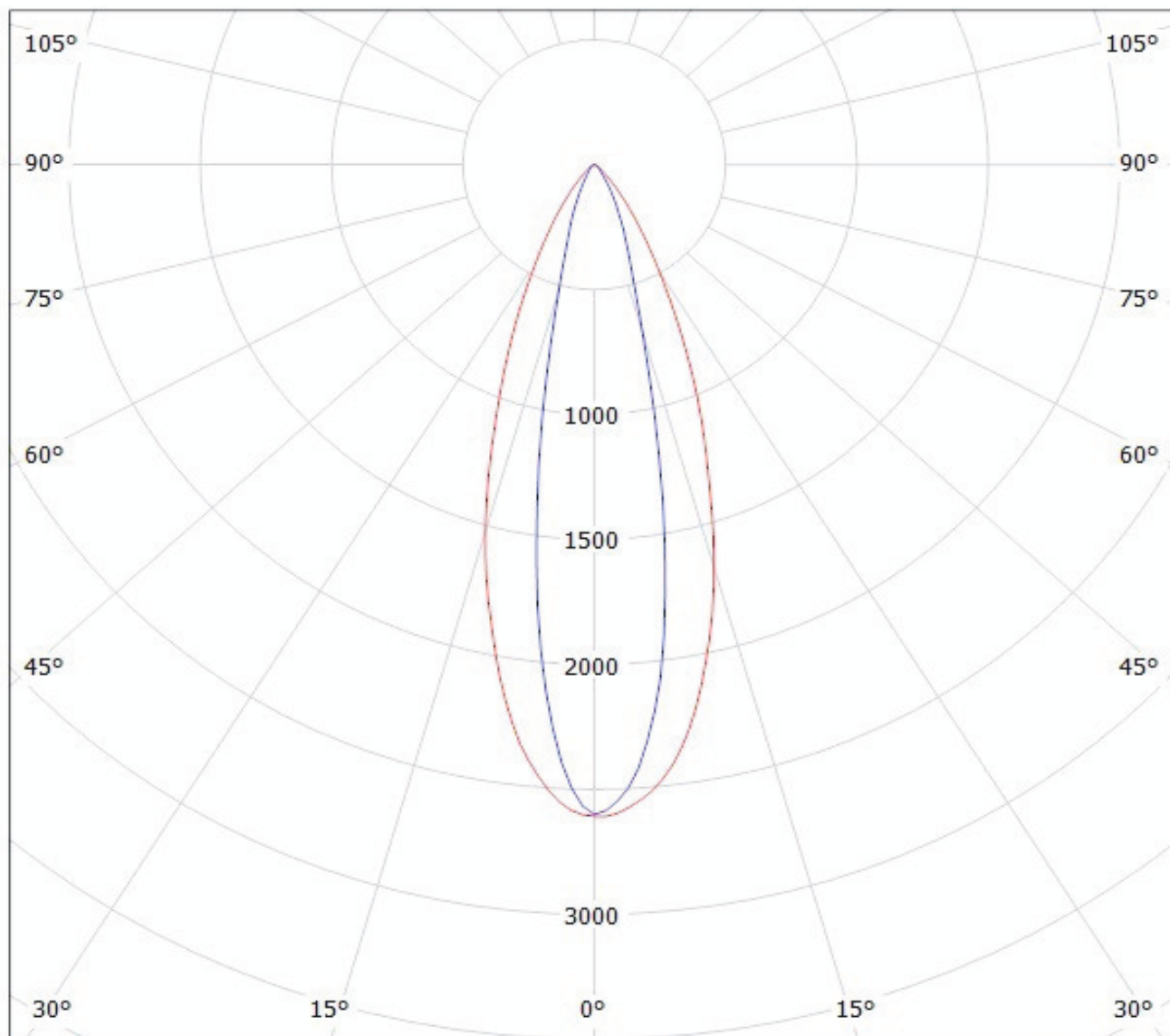




Luminaire: Ledil Oy CA12803\_EVA-M & CP12819\_EVA-M (Luxeon M) Efficiency=87%  
Lamps: 1 x Luxeon M 362lm @ 250mA



Luminaire: LEDIL OY CA12858\_EVA-O / CP12857\_EVA-O (Luxeon M) Efficiency=83%  
Lamps: 1 x Luxeon M (362lm @ 250mA)

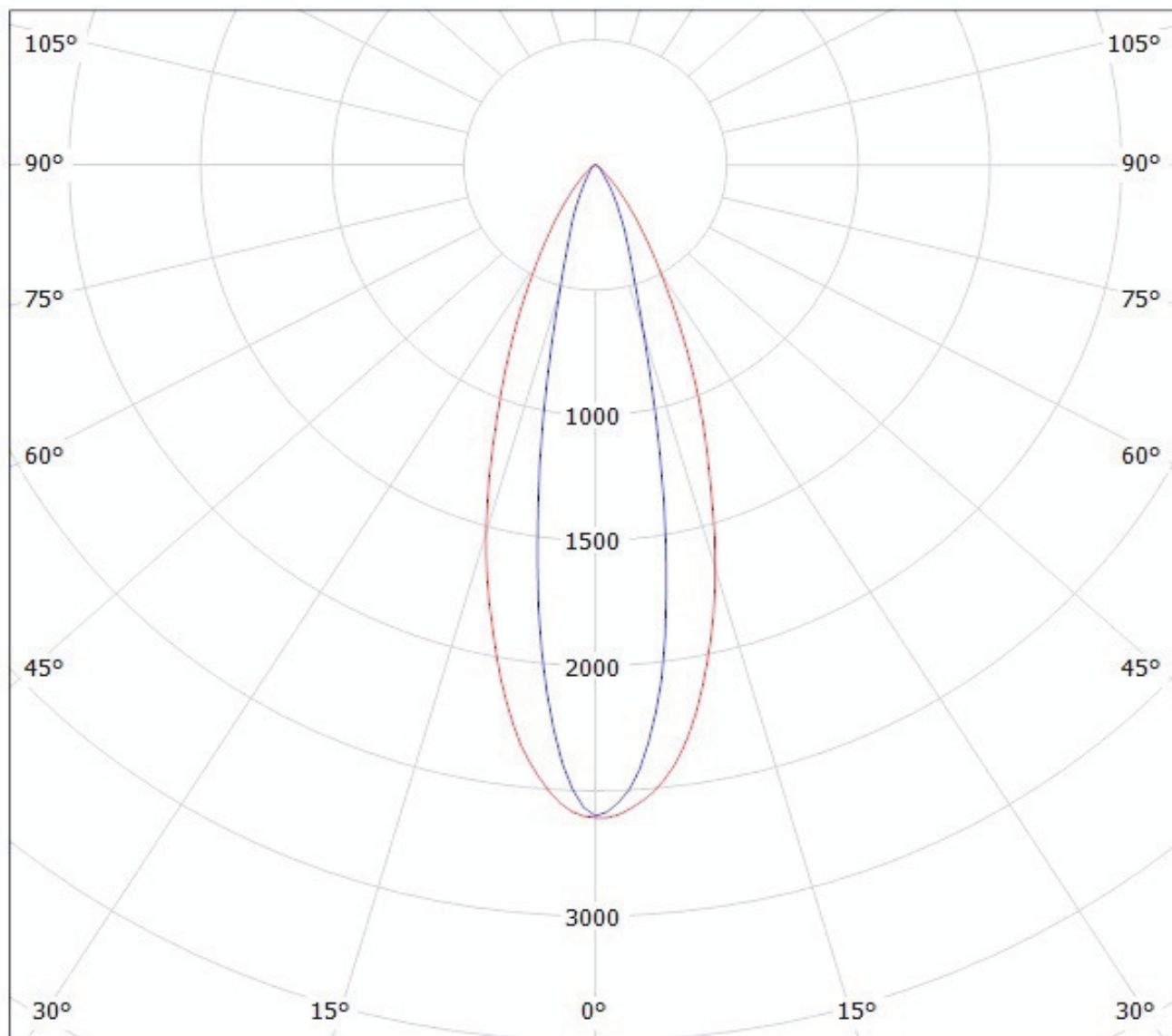


cd/klm

— C0 - C180

— C90 - C270

Luminaire: LEDIL OY CA12858\_EVA-O / CP12857\_EVA-O (Luxeon M) Efficiency=83%  
Lamps: 1 x Luxeon M (362lm @ 250mA)

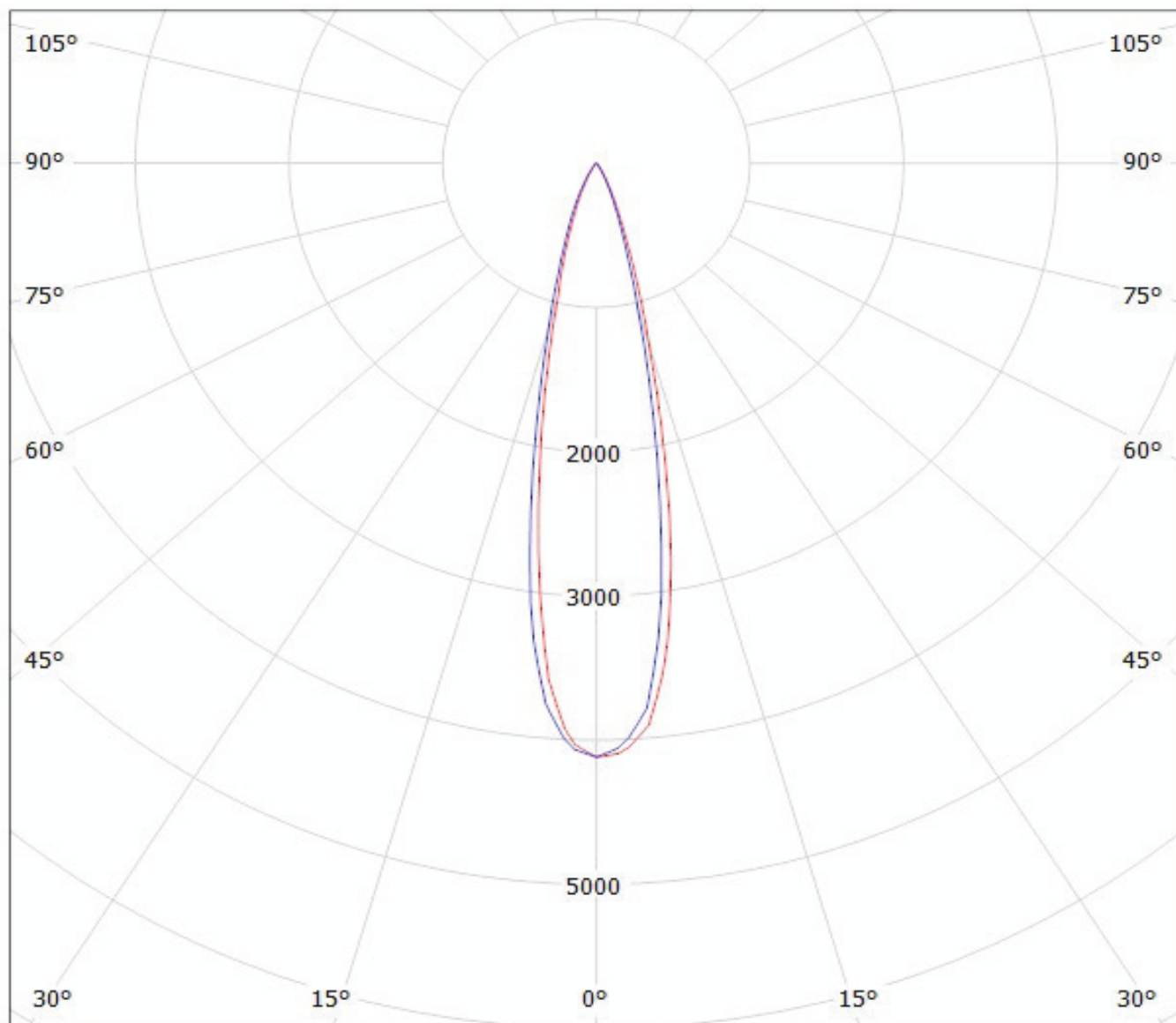


cd/klm

— C0 - C180

— C90 - C270

Luminaire: Ledil Oy CA12802\_EVA-D & CP12818\_EVA-D (Luxeon M) Efficiency=89%  
Lamps: 1 x Luxeon M 362lm @ 250mA

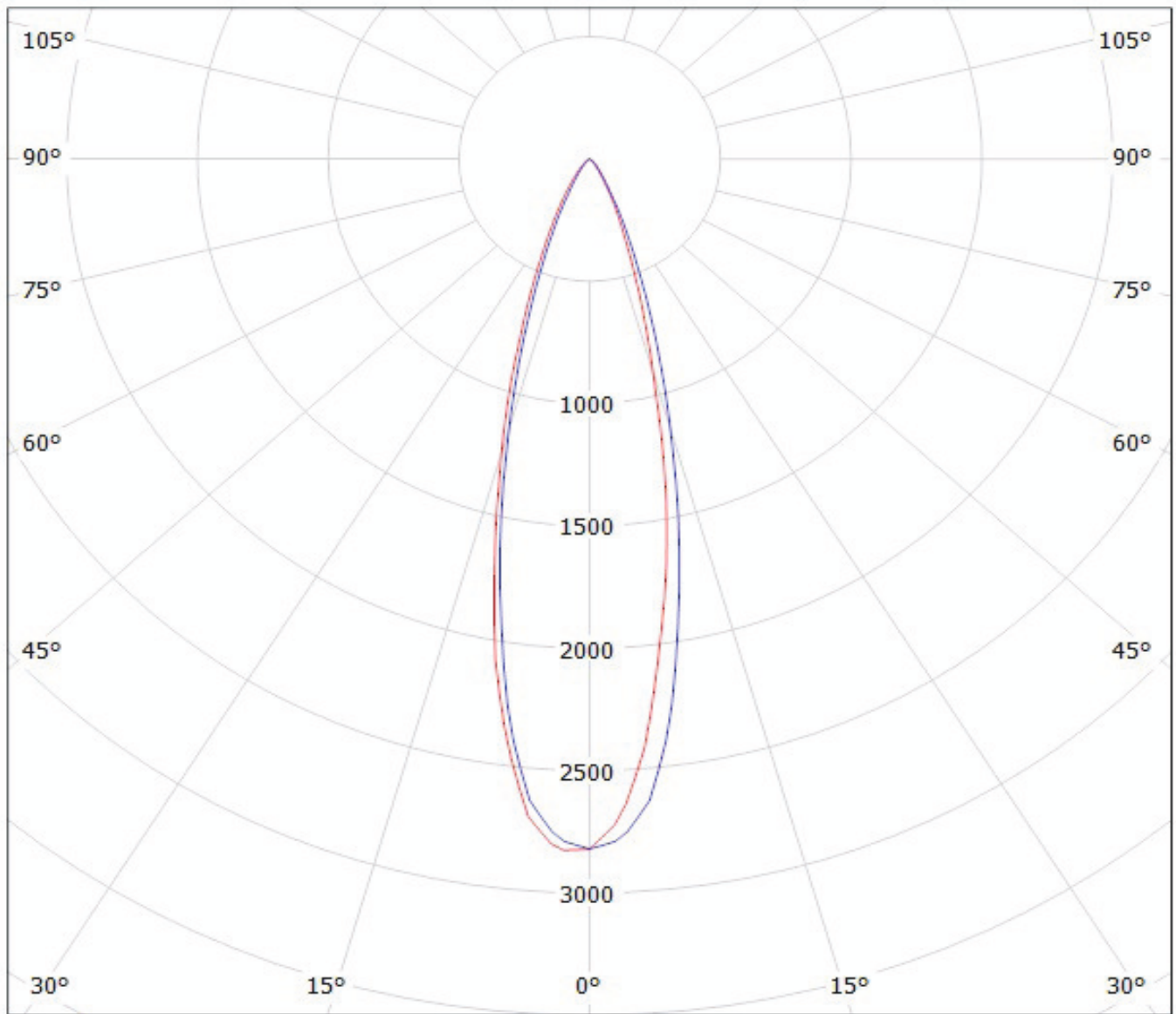


cd/klm

— C0 - C180

— C90 - C270

Luminaire: Ledil Oy CA12803\_EVA-M & CP12819\_EVA-M (Luxeon M) Efficiency=87%  
Lamps: 1 x Luxeon M 362lm @ 250mA

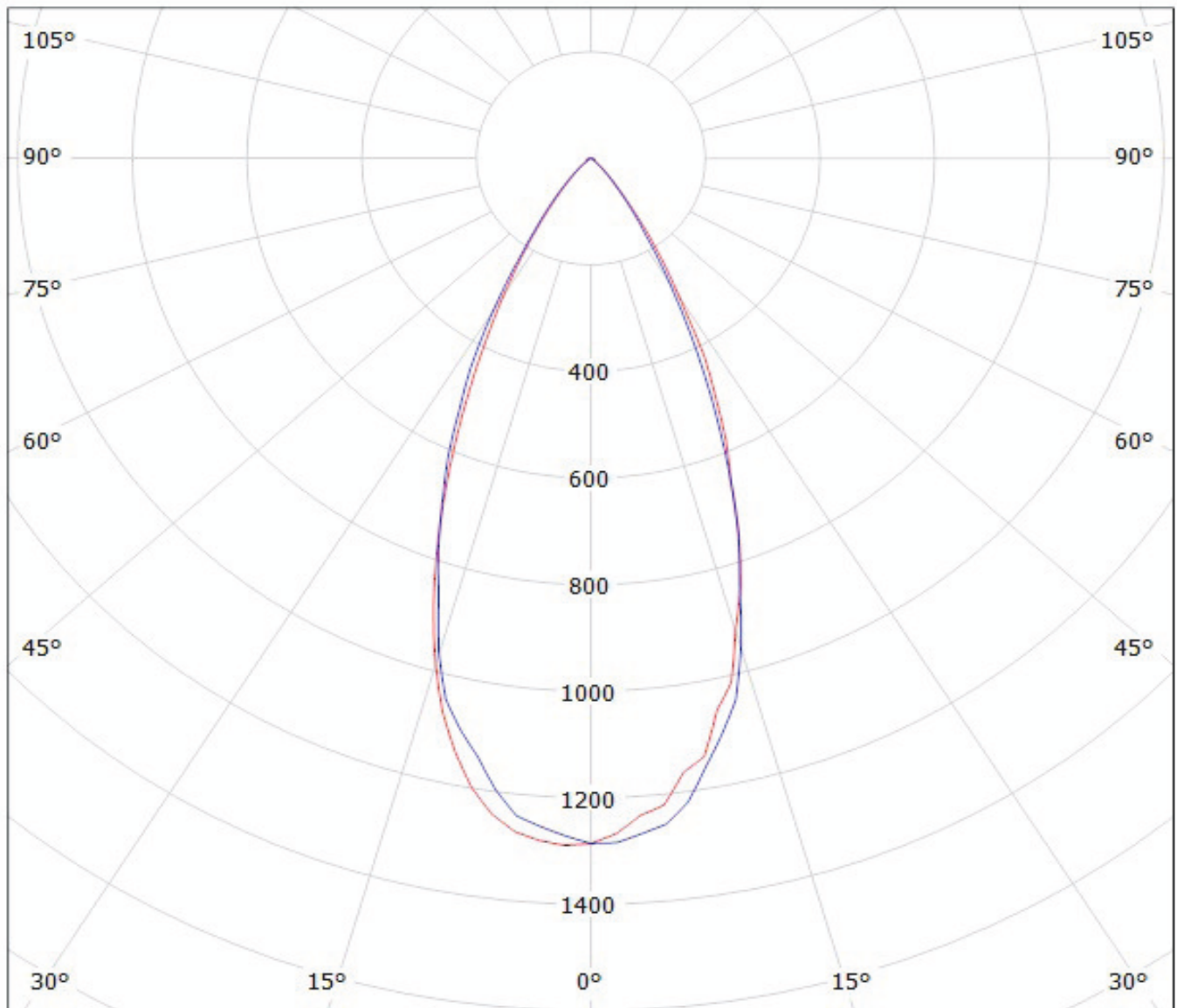


cd/klm

— C0 - C180

— C90 - C270

Luminaire: Ledil CA12804\_EVA-W & CP12820\_EVA-W (Luxeon M) Efficiency=80%  
Lamps: 1 x Luxeon M (362lm @ 250mA)



cd/klm

— C0 - C180

— C90 - C270

Luminaire: Ledil Oy CA12805\_EVA-WW & CP12821\_EVA-WW (Luxeon M) Efficiency=78%  
Lamps: 1 x Luxeon M (362lm @ 250mA)

