



# PRODUCT DATASHEET

## Eva series

last update 20/12/2012

### DETAILS

<b>Product Number</b>	CP12200_EVA-WW
<b>Family</b>	Eva
<b>Type</b>	Assembly
<b>Color</b>	black
<b>Diameter</b>	37,7 mm
<b>Height</b>	17 mm
<b>Style</b>	round
<b>Optic Material</b>	PMMA
<b>Holder Material</b>	PC
<b>Fastening</b>	screw, glue
<b>Status</b>	ready
<b>ROHS Compliant</b>	Yes
<b>Date Updated</b>	20/12/2012



### OPTICAL PROPERTIES

LED	Viewing Angle	Light Beam	Efficiency	cd/lm	Connector
XM-L	64 deg	Very Wide	77 %	-	-

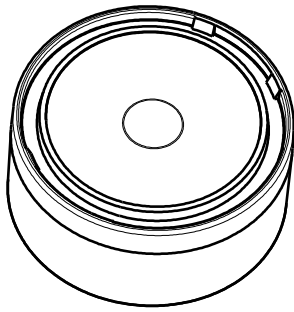
D

C

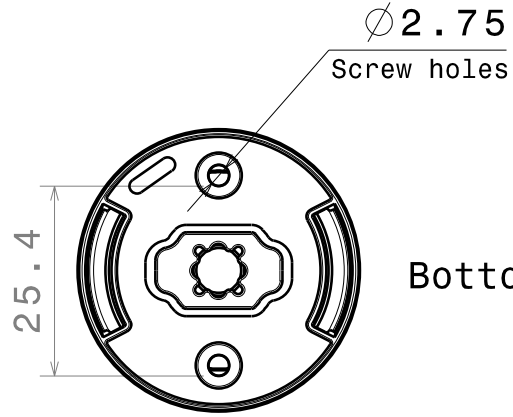
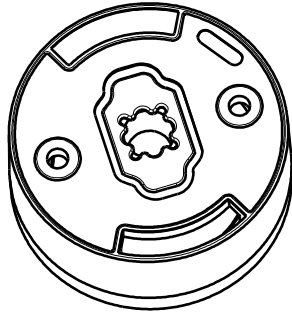
B

A

4

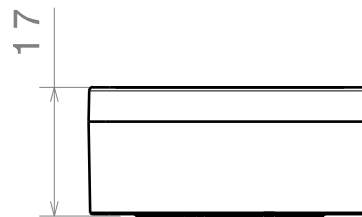


Isometric view



Bottom view

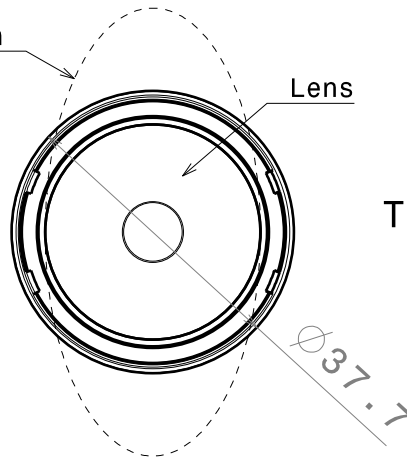
3



Front view

2

Oval beam direction



Top view

Materials:  
 Lens PMMA  
 Holder PC, BLACK

This drawing is our property.  
 It can't be reproduced  
 or communicated without  
 our written agreement.



Ledil Oy  
 Tehdaskatu 13  
 FIN-24100 SALO  
 Finland

DRAWING TITLE

Datasheet EVA-XM Assembly

DRAWN BY

mav

DATE

12.04.2012

CHECKED BY

sn

DATE

12.04.2012

SIZE

A4

DRAWING NUMBER

-

REV

1.0

DESIGNED BY

p1

DATE

17.02.2011

SCALE

2:1

WEIGHT (g)

SHEET

1/1

D

A

1

**NOTE: The typical divergence will be changed by different color, chip size and chip position tolerance. The typical total divergence is the full angle measured where the luminous intensity is half of the peak value.**