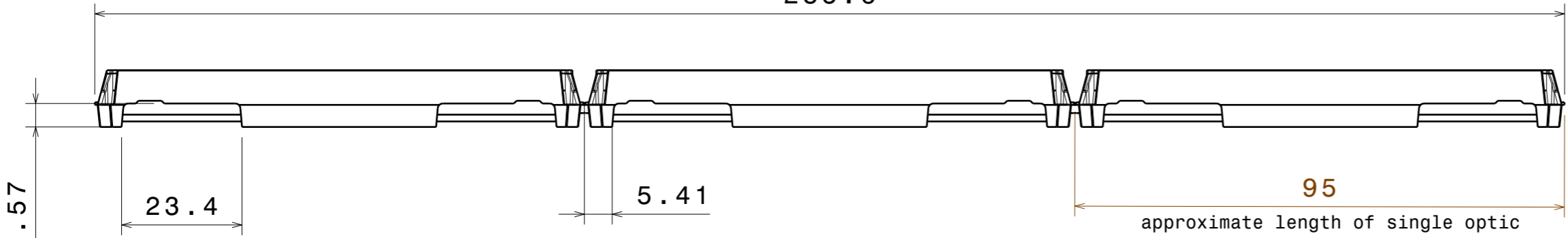


H G F E D C B A

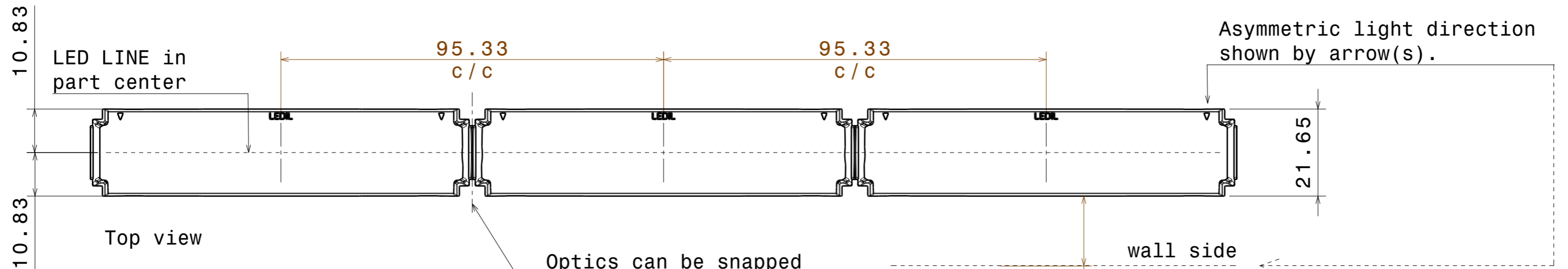
4 4

285.6



Left view

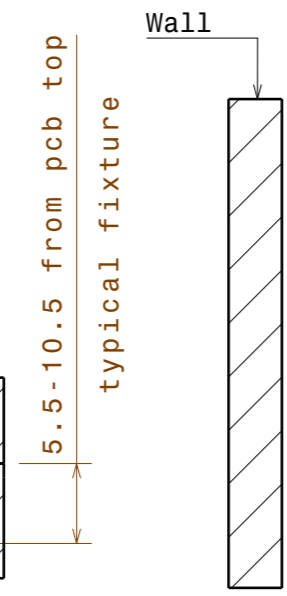
3 3



Top view

2 2

Highly recommended to cover wall-side wire outlet with light fixture to avoid reflections from components.  
Cover max level = lens top level to avoid blocking light from the wall.



wall side  
100-200mm typical

INDEX	PART NO	DESCRIPTION	MATERIAL	COLOUR
1	C14487	FLORENCE-1R-MAXI-WG	PMMA	clear

Tolerances if not otherwise shown  
According to DIN ISO 2768-1  
Linear measures: class M  
According to DIN ISO 2768-2  
Form and position: class L

**LEDiL** LediL Oy  
Salorankatu 10  
FIN 24240 SALO  
Finland

THIRD ANGLE PROJECTION:

DRAWING TITLE  
**C14487\_FLORENCE-1R-MAXI-WG**

This drawing is the property of LEDiL Oy. It may not be reproduced, copied or communicated without a written agreement with LEDiL Oy.

SIZE	PART NUMBER
<b>A3</b>	<b>C14487</b>

SCALE	1:1	WEIGHT		SHEET	1/1
-------	-----	--------	--	-------	-----

1 1

H G B A