


Ordering number FA11208_TINA-RS

Family	Tina	FWHM	15 degrees
Type	Assembly	Efficiency	(simulated) 88 %
LED	SFH 4715S (IR)	cd/lm	-
Color	Black	Gerber File	Available
Diameter	16.1 mm		
Height	9.5 mm		
Style	Round		
Optic Material	PMMA		
Holder Material	PC		
Fastening	Pin, tape		
Status	Ready		


Ordering number FA11205_TINA-D

Family	Tina	FWHM	18 degrees
Type	Assembly	Efficiency	(simulated) 0 %
LED	SFH 4715S (IR)	cd/lm	-
Color	Black	Gerber File	Available
Diameter	16.1 mm		
Height	9.5 mm		
Style	Round		
Optic Material	PMMA		
Holder Material	PC		
Fastening	Pin, tape		
Status	Ready		


Ordering number FA11206_TINA-M

Family	Tina	FWHM	28 degrees
Type	Assembly	Efficiency	(simulated) 86 %
LED	SFH 4715S (IR)	cd/lm	-
Color	Black	Gerber File	Available
Diameter	16.1 mm		
Height	9.5 mm		
Style	Round		
Optic Material	PMMA		
Holder Material	PC		
Fastening	Pin, tape		
Status	Ready		


Ordering number FA11207_TINA-W

Family	Tina	FWHM	32 degrees
Type	Assembly	Efficiency	(simulated) 88 %
LED	SFH 4715S (IR)	cd/lm	-
Color	Black	Gerber File	Available
Diameter	16.1 mm		
Height	9.5 mm		
Style	Round		
Optic Material	PMMA		
Holder Material	PC		
Fastening	Pin, tape		
Status	Ready		


Ordering number FA11027_TINA-WW

Family	Tina	FWHM	36 degrees
Type	Assembly	Efficiency	(simulated) 0 %
LED	SFH 4715S (IR)	cd/lm	-
Color	Black	Gerber File	Available
Diameter	16.1 mm		
Height	9.5 mm		
Style	Round		
Optic Material	PMMA		
Holder Material	PC		
Fastening	Pin, tape		
Status	Ready		

Ordering number FA11204_TINA-O

Family	Tina	FWHM	40+16 degrees
Type	Assembly	Efficiency	(simulated) 87 %
LED	SFH 4715S (IR)	cd/lm	-
Color	Black	Gerber File	Available
Diameter	16.1 mm		
Height	9.5 mm		
Style	Round		
Optic Material	PMMA		
Holder Material	PC		
Fastening	Pin, tape		
Status	Ready		

NOTE: The typical divergence will be changed by different color, chip size and chip position tolerance. The typical total divergence is the full angle measured where the luminous intensity is half of the peak value.

GENERAL INFORMATION

- Product series especially designed & optimized for SFH 4715S (IR) series of LEDs.
- Special care taken to make light distribution as uniform as possible.
- Lens material optical grade PMMA with high UV and temperature resistance. Allows use of high current and temperature conditions.

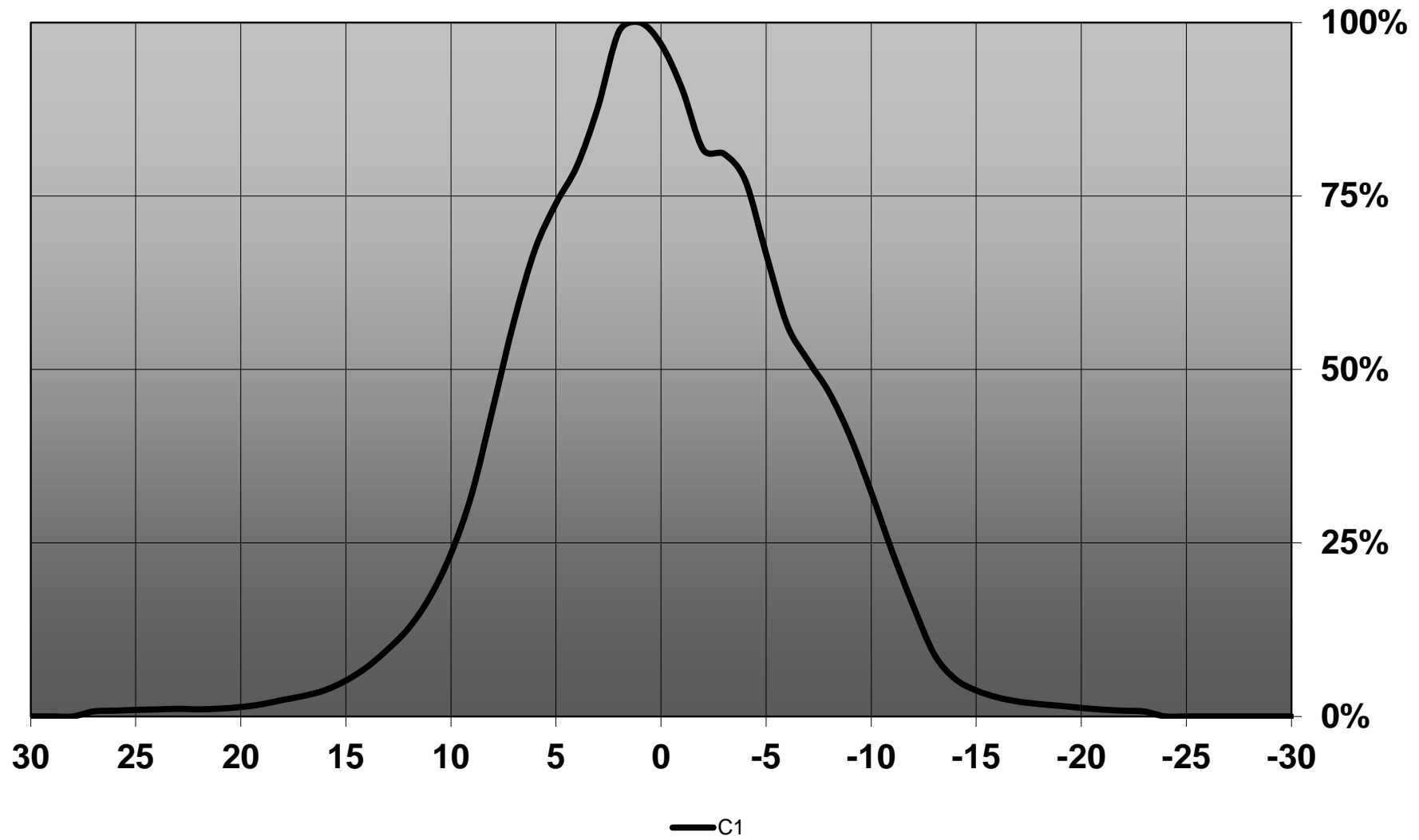
Please find more information about used material from below:

http://ledil.fi/sites/default/files/Documents/Technical/Material/PMMA%20N%20UL94_Yellow%20Card.pdf

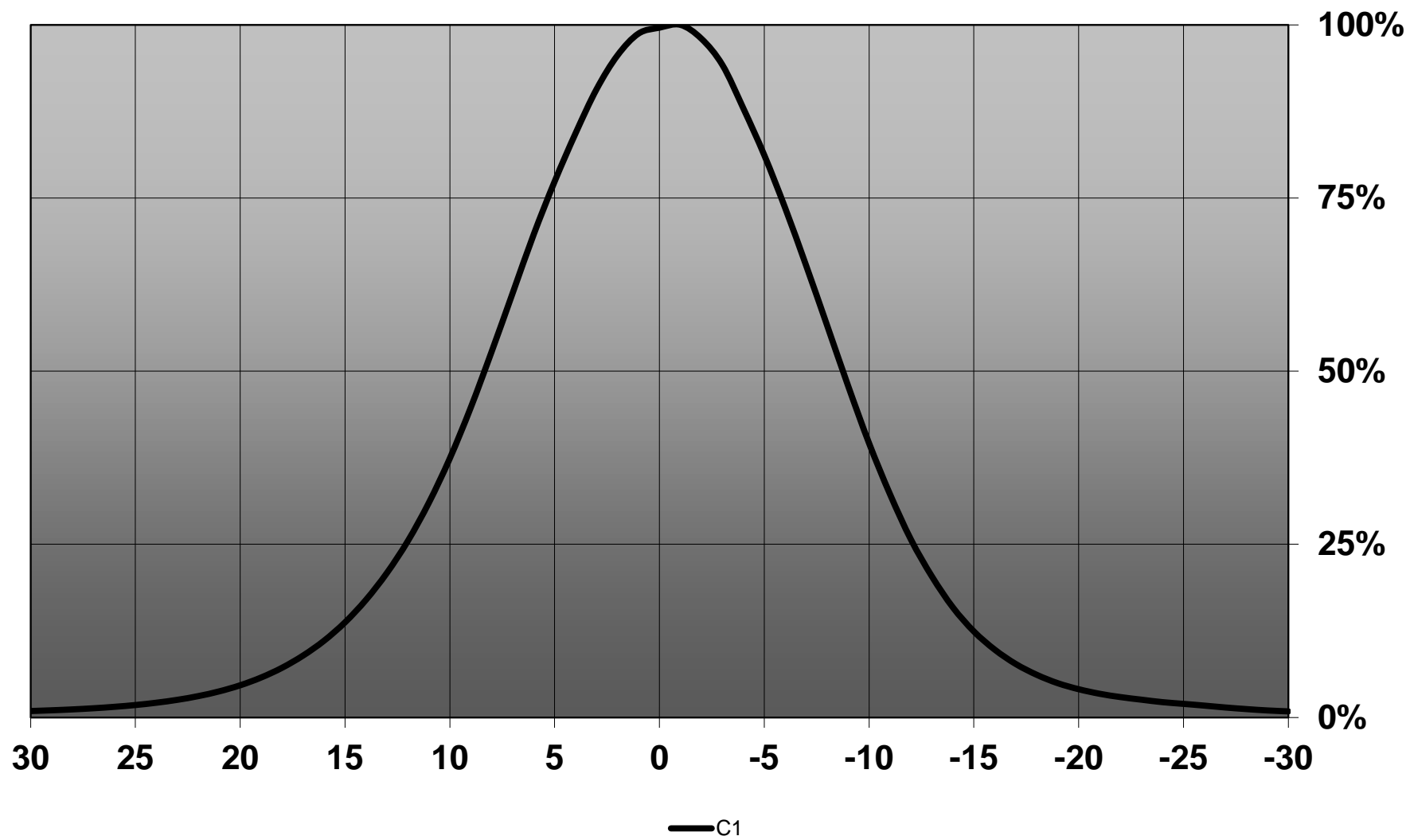
<http://ledil.fi/sites/default/files/Documents/Technical/Material/PMMA%20N%20PLEXIGLAS-Datasheet.pdf>

- Optic holder molded by high quality PC material (120 degrees of Celcius / 248 degrees of Fahrenheit).

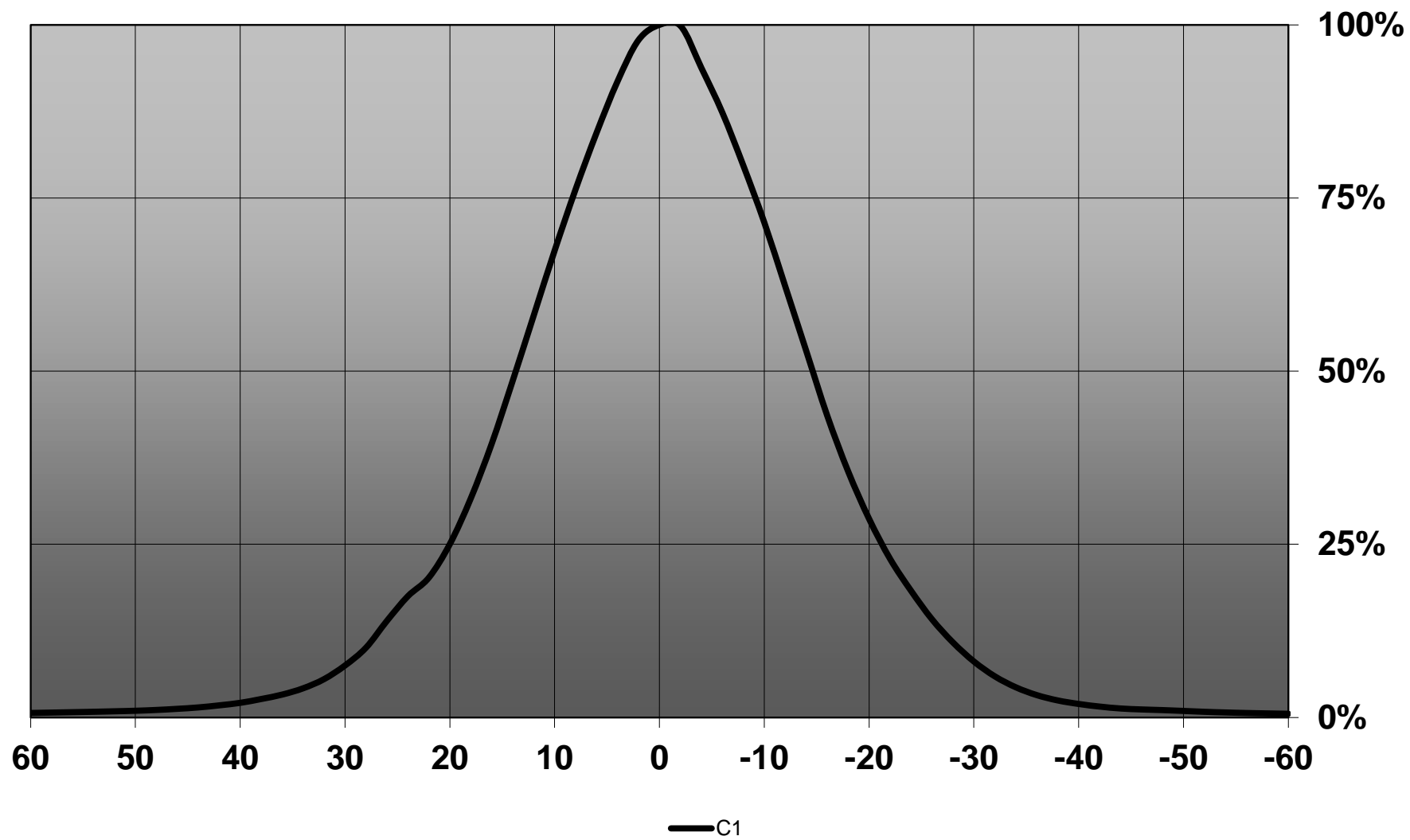
Relative intensity of FA11208_TINA-RS_SFH4715S



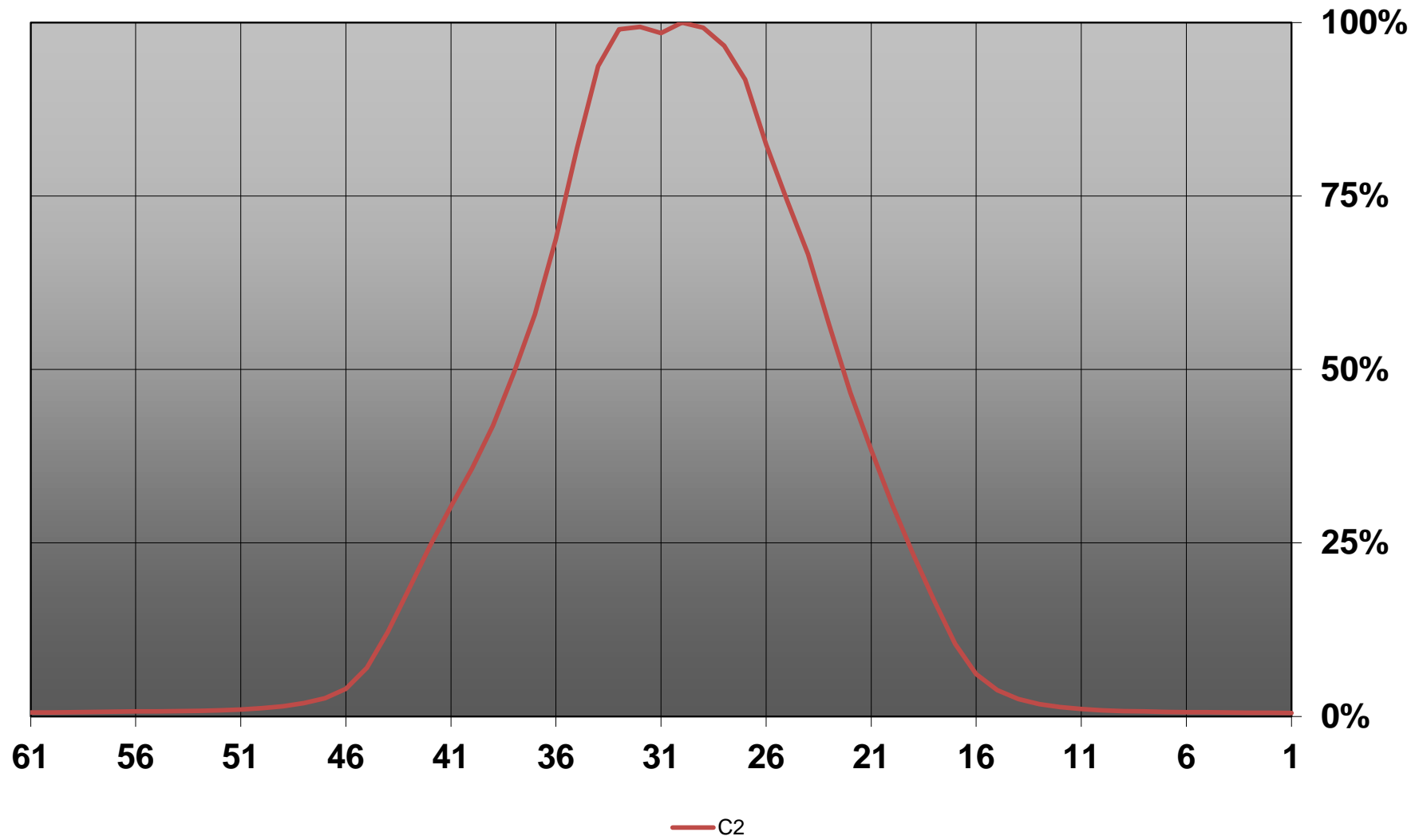
Relative intensity of FA11205_TINA-D_SFH4715S



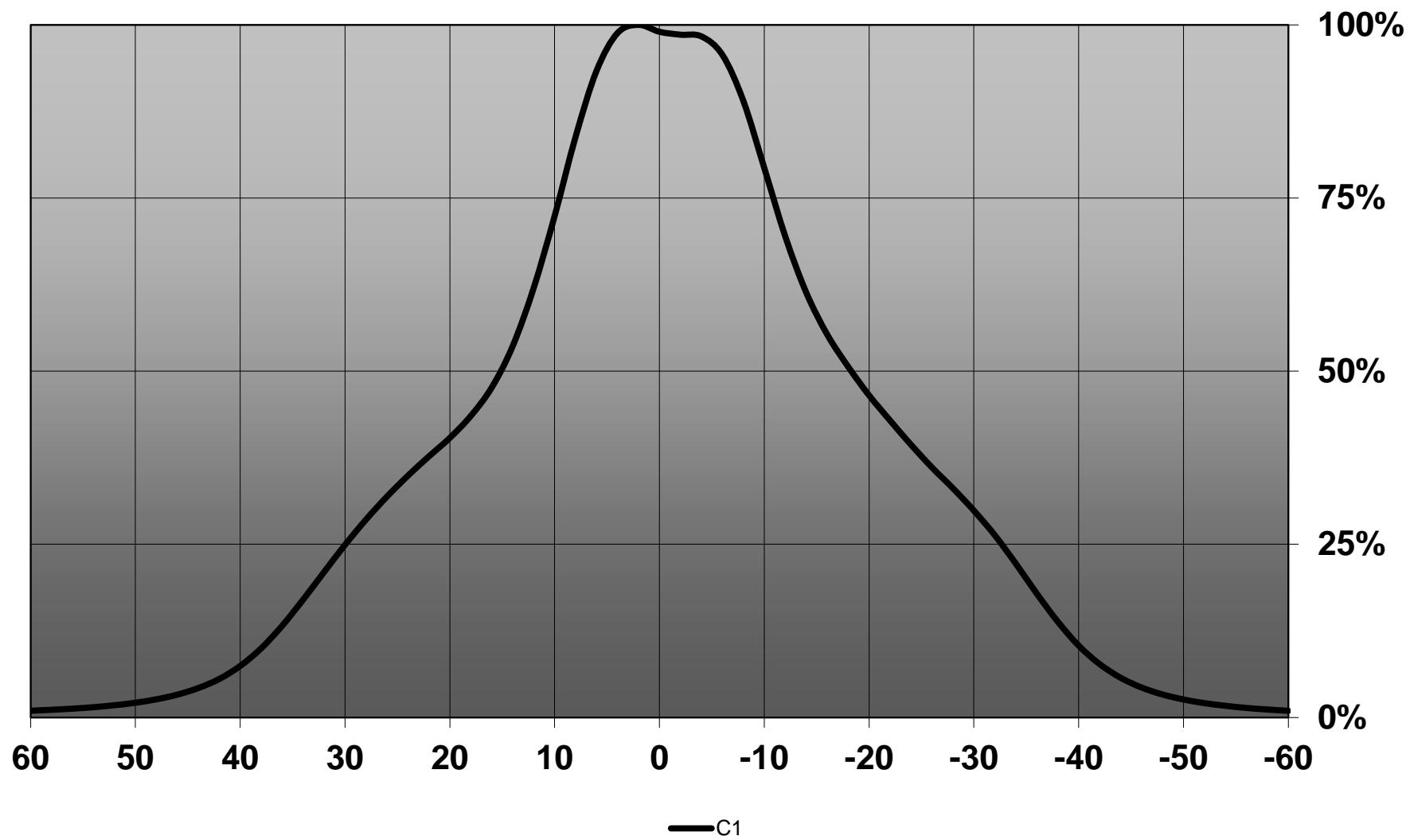
Relative intensity of FA11206_TINA-M_SFH4715S



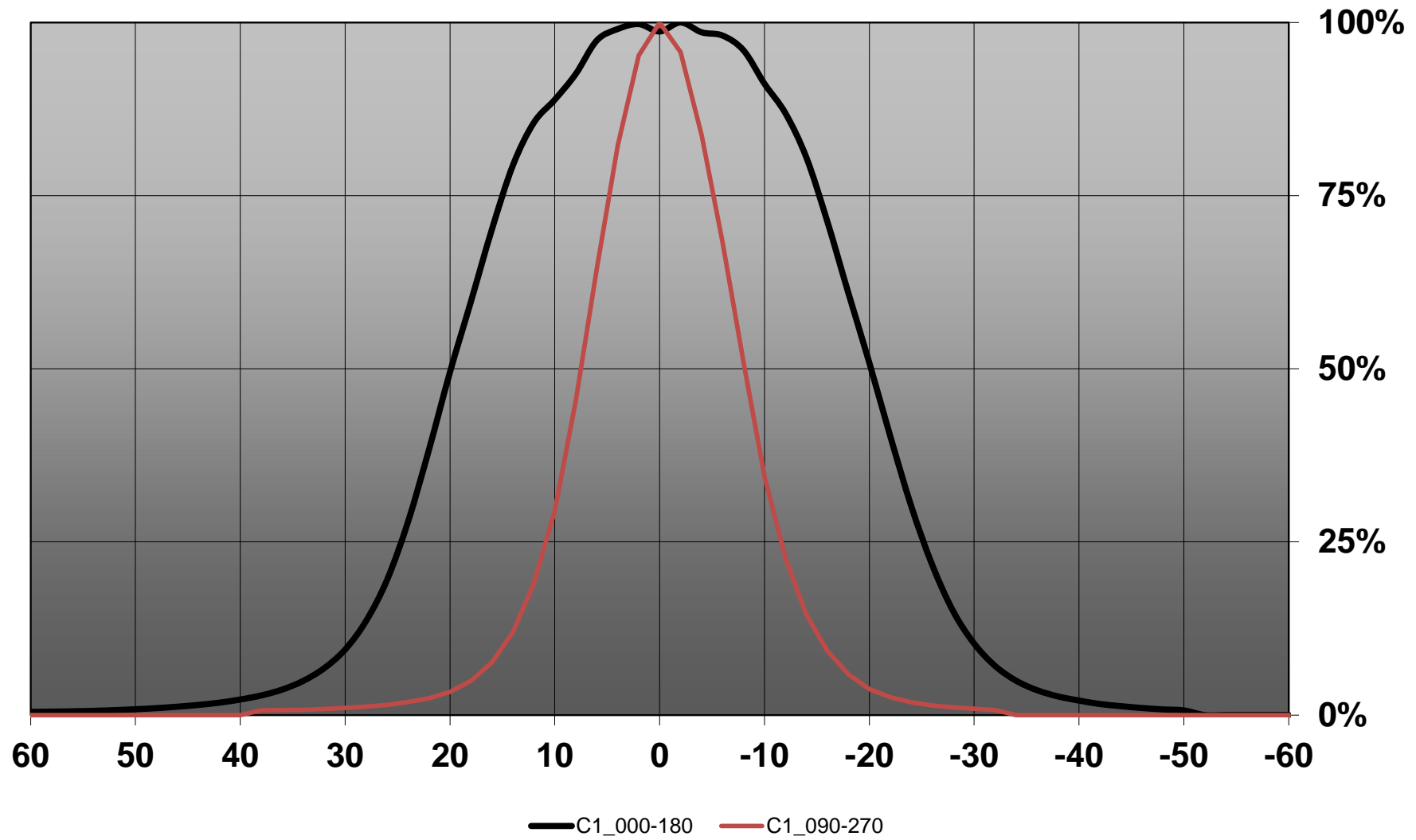
Relative intensity of FA11207_TINA-W_SFH4715S



Relative intensity of FA11027_TINA-WW_SFH4715S



Relative intensity of FA11204_TINA-O_SFH4715S



D

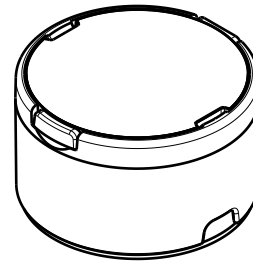
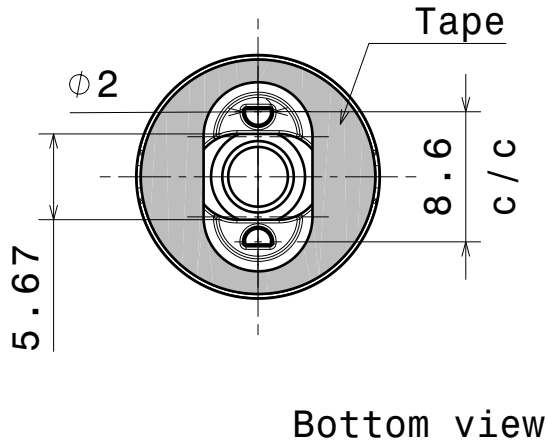
C

B

A

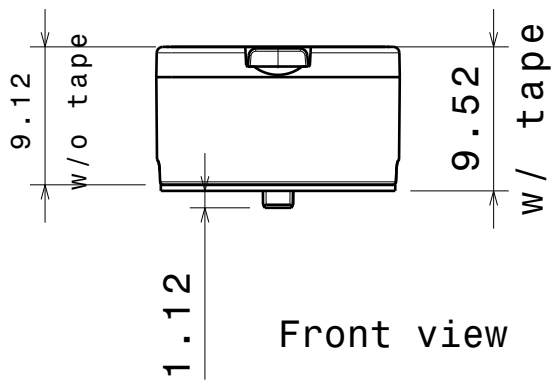
4

4



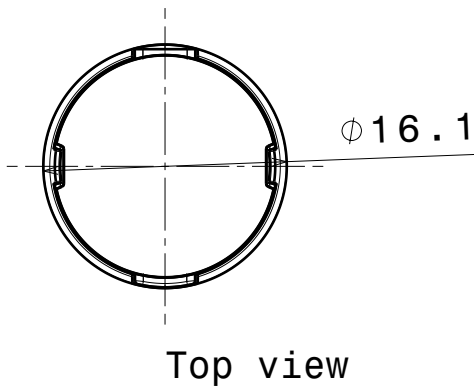
3

3



2

2



Materials
 Lens: PMMA
 Holder: PC
 Tape: PU Foam

This drawing is our property.
 It can't be reproduced
 or communicated without
 our written agreement.



Ledil Oy
 Salorankatu 10
 FIN 24240 SALO
 Finland

DRAWING TITLE Mechanical Drawing

DRAWN BY as
 DATE 10.9.2012

TINA-OSL

CHECKED BY sn
 DATE -

SIZE A4 PART NUMBER TINA-OSL REV 001

DESIGNED BY -
 DATE -

SCALE 2:1 WEIGHT 1,47 g SHEET 1/1

1

1

D

A