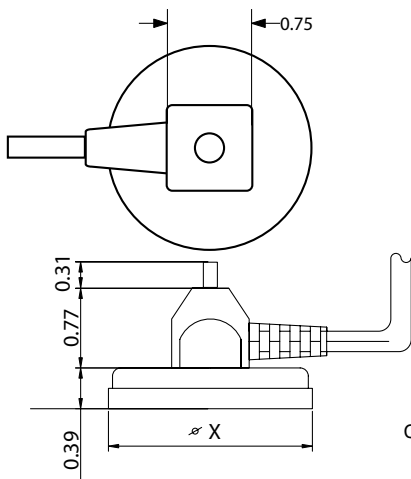


ANT-MAG-xxx-xxx

Mag. 1 Bases

**Part Numbers:**

ANT-MAG-B50-RPS

ANT-MAG-B50-TNC

ANT-MAG-B66-RPS

ANT-MAG-B66-TNC

ANT-MAG-B85-RPS

ANT-MAG-B85-TNC

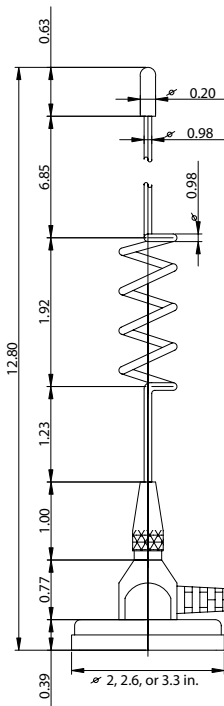
Cable: 13.1 ft. - RG-174 - RP-SMA
13.1 ft. - RG-58 - TNC

X= 2" (50mm) "B50"
2.6" (66mm) "B66"
3.3" (85mm) "B85"

Other cable terminations available for volume orders.

ANT-ELE-S01-005

Whip Element for Mag. 1 Bases



ELECTRICAL SPECIFICATIONS

SPECIFICATION	
Frequency Range	860-960MHz
Gain	3dBi
V.S.W.R.	<1.5
Impedance	50Ω

TNC or RP-SMA Connector

Shown with MAG-1 Series Base (Not Included)

Other cable terminations available for volume orders.

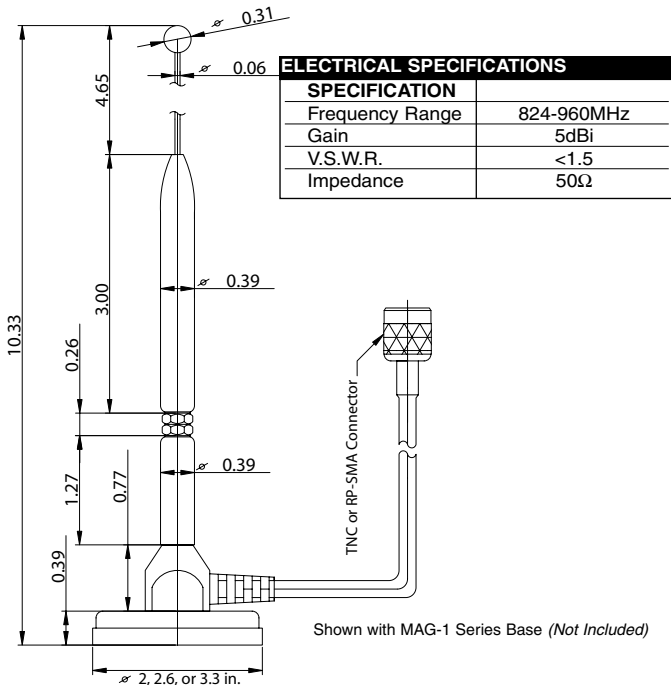
For additional information, please contact Antenna Factor at 800-489-1634 or visit www.antennafactor.com.

Recipient understands any or all of the above specifications are subject to change without notice and proceeds with integration at own risk.

Revised 9/4/02

ANT-ELE-S01-006

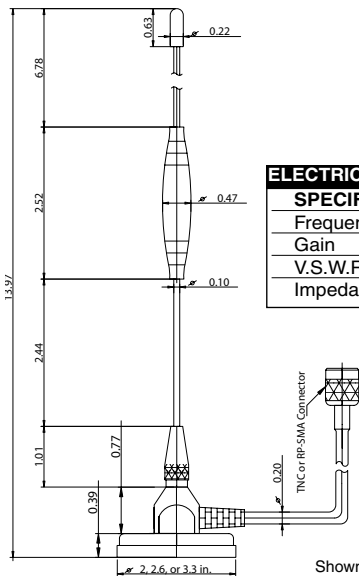
Hi-Gain Whip-Element for Mag. 1 Bases



Other cable terminations available for volume orders.

ANT-ELE-S01-008

Dual-Band Whip-Element for Mag. 1 Bases



ELECTRICAL SPECIFICATIONS

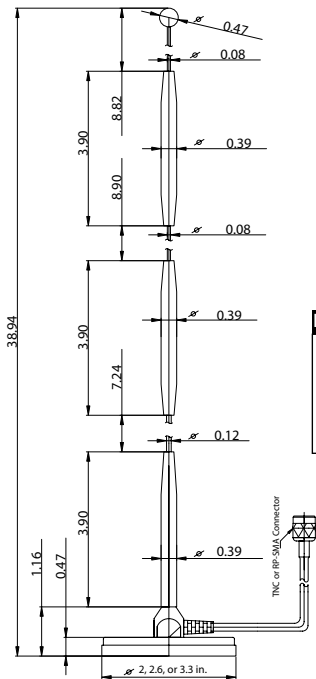
SPECIFICATION	
Frequency Range	824-960MHz / 1.7-1.8GHz
Gain	3dBi
V.S.W.R.	<1.5
Impedance	50Ω

Shown with MAG-1 Series Base (Not Included)

Other cable terminations available for volume orders.

ANT-ELE-S01-009

Ultra Hi-Gain Long Whip-Element for Mag. 1 Bases



ELECTRICAL SPECIFICATIONS	
SPECIFICATION	
Frequency Range	860-960MHz
Gain	9dBi
V.S.W.R.	<1.5
Impedance	50Ω

Shown with MAG-1 Series Base (Not Included)

Other cable terminations available for volume orders.

For additional information, please contact Antenna Factor at 800-489-1634 or visit www.antennafactor.com.

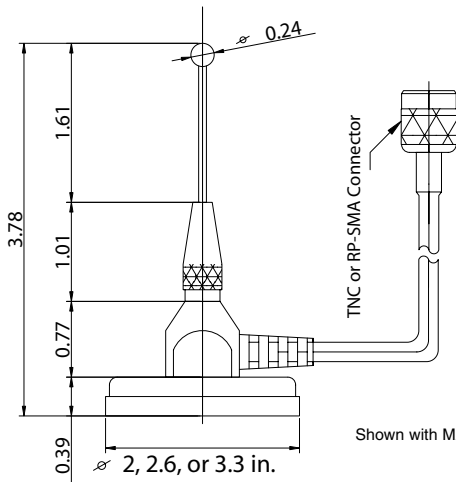
Recipient understands any or all of the above specifications are subject to change without notice and proceeds with integration at own risk.

Revised 9/4/02



ANT-ELE-S01-010

Short Whip-Element for Mag. 1 Bases



Shown with MAG-1 Series Base (Not Included)

ELECTRICAL SPECIFICATIONS

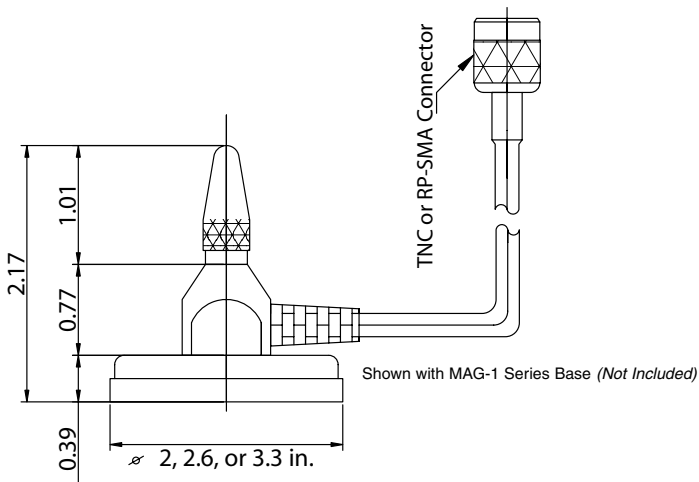
SPECIFICATION	
Frequency Range	860-960MHz
Gain	0dBi or Unity
V.S.W.R.	<1.5
Impedance	50 Ω

Other cable terminations available for volume orders.



ANT-ELE-S01-011

Stub Element for Mag. 1 Bases



ELECTRICAL SPECIFICATIONS

SPECIFICATION	
Frequency Range	2.4GHz
Gain	0dBi
V.S.W.R.	<1.5
Impedance	50 Ω

Other cable terminations available for volume orders.