



T6 L256mm Lead Screw and Brass Flange Nut Set

SKU: 84050 Weight: 55.00 Gram

Description:

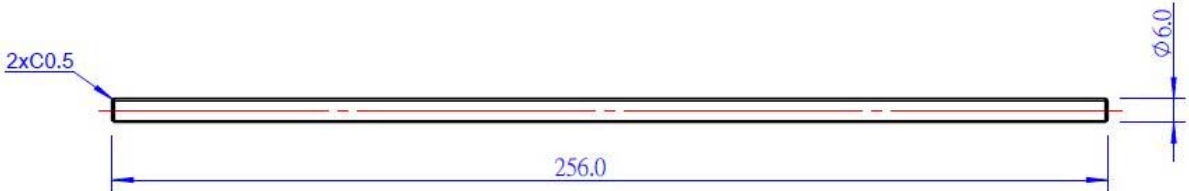
Makeblock T6 L256mm Lead Screw and Brass Flange Nut Set can be self-locking, it is suitable for high torque requirements of transmission, such as the axis for 3D printer. The lead screw also can carry larger load than the threaded rod.

Features:

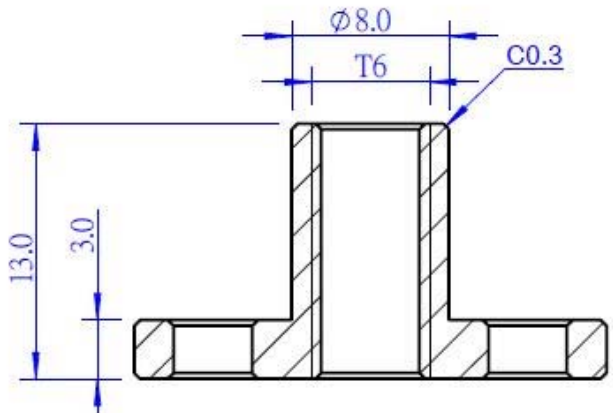
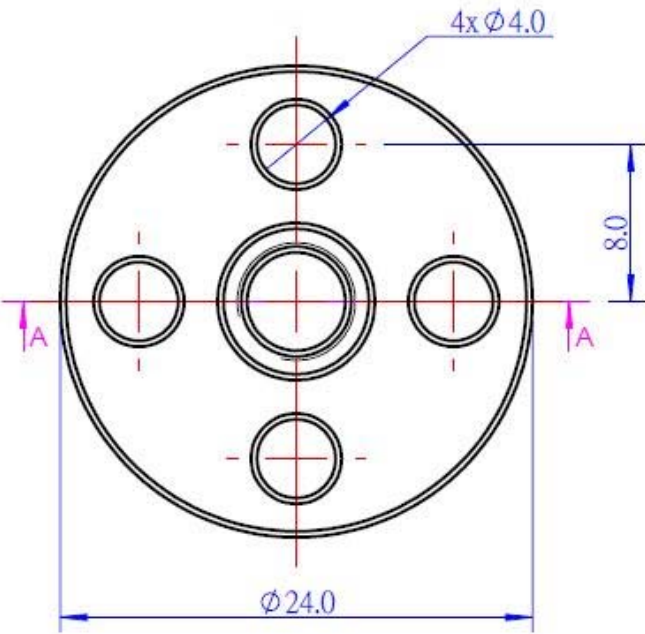
- The lead screw is made of the stainless steel, and the flange nut is made of brass
- Lead screw diameter: 6mm, pitch: 2mm, length:256mm
- Lead screw diameter: 6mm, pitch: 2mm, length:13mm
- The set can be self-locking

Size Charts(mm):

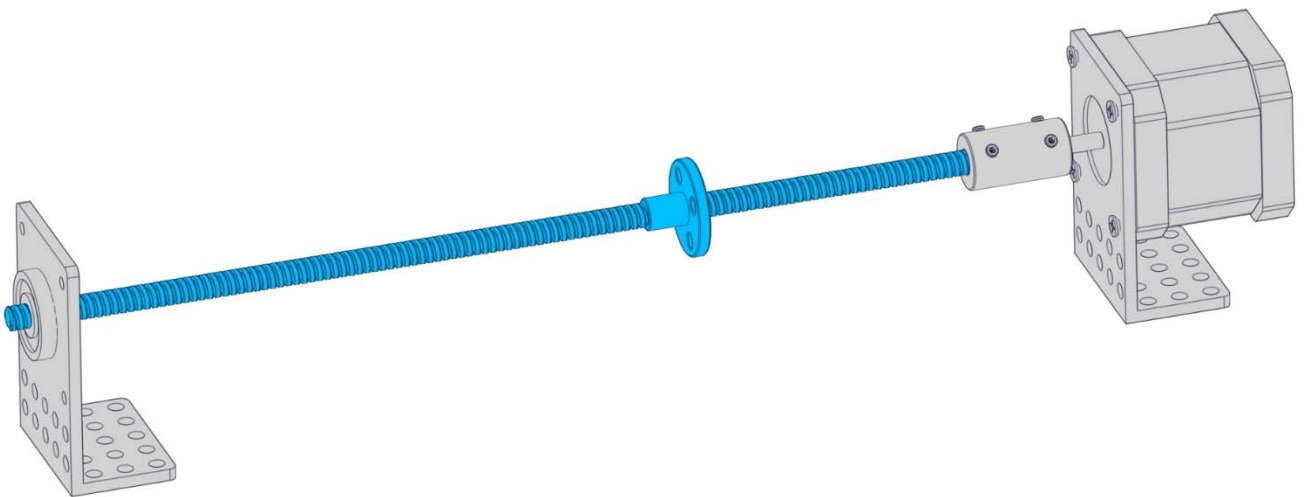
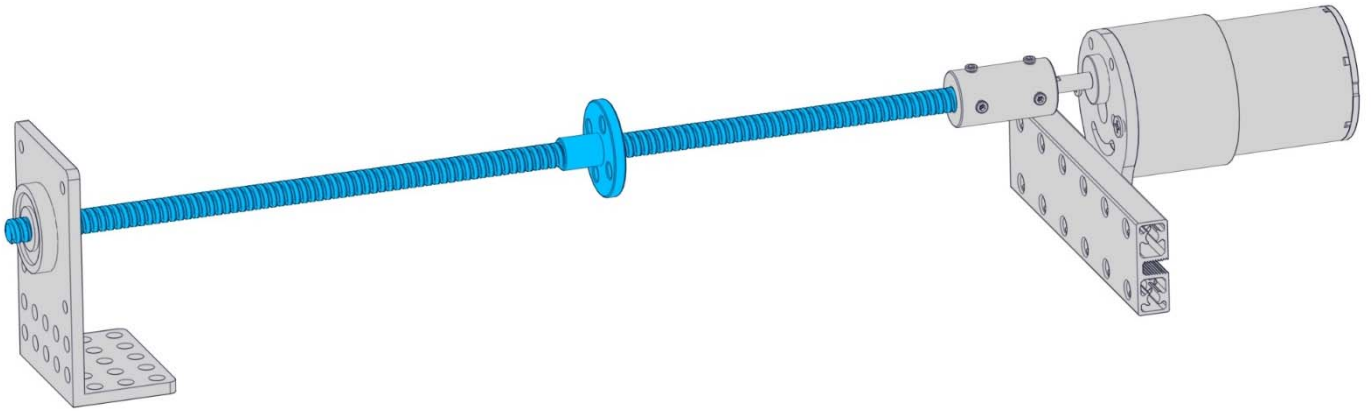
Size of the lead screw



Size of brass flange nut



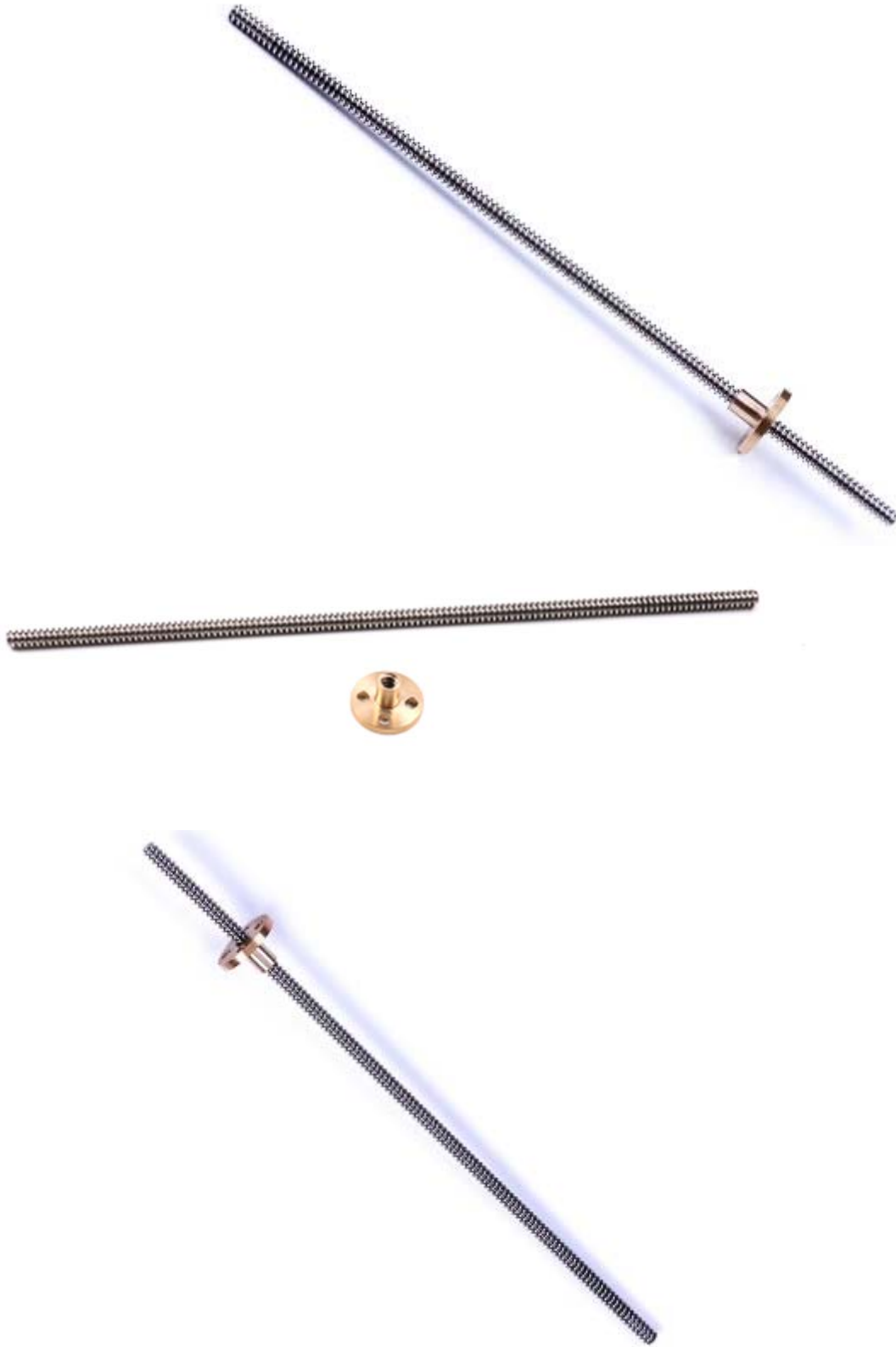
Demo:



Part List:

1 × T6 L256mm lead screw

1 × T6 Brass Flange Nut



<https://store.makeblock.com/t6-l256mm-lead-screw-and-brass-flange-nut-set/2-6-19>