

Distributed by:

JAMECO[®]
ELECTRONICS

www.Jameco.com ♦ 1-800-831-4242

The content and copyrights of the attached
material are the property of its owner.

Jameco Part Number 1219506



+5V, RS-232 Transceivers with 0.1µF External Capacitors

MAX200-MAX211/MAX213

General Description

The MAX200-MAX211/MAX213 transceivers are designed for RS-232 and V.28 communication interfaces where ±12V supplies are not available. On-board charge pumps convert the +5V input to the ±10V needed for RS-232 output levels. The MAX201 and MAX209 operate from +5V and +12V, and contain a +12V to -12V charge-pump voltage converter.

The MAX200-MAX211/MAX213 drivers and receivers meet all EIA/TIA-232E and CCITT V.28 specifications at a data rate of 20kbps. The drivers maintain the ±5V EIA/TIA-232E output signal levels at data rates in excess of 120kbps when loaded in accordance with the EIA/TIA-232E specification.

The 5µW shutdown mode of the MAX200, MAX205, MAX206, and MAX211 conserves energy in battery-powered systems. The MAX213 has an active-low shutdown and an active-high receiver enable control. Two receivers of the MAX213 are active, allowing ring indicator (RI) to be monitored easily using only 75µW power.

The MAX211 and MAX213 are available in a 28-pin wide small-outline (SO) package and a 28-pin shrink small-outline (SSOP) package, which occupies only 40% of the area of the SO. The MAX207 is now available in a 24-pin SO package and a 24-pin SSOP. The MAX203 and MAX205 use no external components, and are recommended for applications with limited circuit board space.

Applications

Computers
Laptops, Palmtops, Notebooks
Battery-Powered Equipment
Hand-Held Equipment

Next-Generation Device Features

- ◆ **For Low-Cost Applications:**
MAX221E: ±15kV ESD-Protected, +5V, 1µA, Single RS-232 Transceiver with AutoShutdown™
- ◆ **For Low-Voltage and Space-Constrained Applications:**
MAX3222E/MAX3232E/MAX3237E/MAX3241E/MAX3246E: ±15kV ESD-Protected, Down to 10nA, +3.0V to +5.5V, Up to 1Mbps, True RS-232 Transceivers (MAX3246E Available in UCSP™ Package)
- ◆ **For Space-Constrained Applications:**
MAX3228E/MAX3229E: ±15kV ESD-Protected, +2.5V to +5.5V, RS-232 Transceivers in UCSP
- ◆ **For Low-Voltage or Data Cable Applications:**
MAX3380E/MAX3381E: +2.35V TO +5.5V, 1µA, 2Tx/2Rx RS-232 Transceivers with ±15kV ESD-Protected I/O and Logic Pins
- ◆ **For Low-Power Applications:**
MAX3224E-MAX3227E/MAX3244E/MAX3245E: ±15kV ESD-Protected, 1µA, 1Mbps, +3.0V to +5.5V, RS-232 Transceivers with AutoShutdown Plus™

Ordering Information appears at end of data sheet

AutoShutdown, AutoShutdown Plus, and UCSP are trademarks of Maxim Integrated Products, Inc.

Selector Guide

| Part Number | Power-Supply Voltage (V) | No. of RS-232 Drivers | No. of RS-232 Receivers | No. of Receivers Active in Shutdown | No. of External Capacitors (0.1µF) | Low-Power Shutdown/TTL Three-State |
|-------------|--------------------------|-----------------------|-------------------------|-------------------------------------|------------------------------------|------------------------------------|
| MAX200 | +5 | 5 | 0 | 0 | 4 | Yes/No |
| MAX201 | +5 and +9.0 to +13.2 | 2 | 2 | 0 | 2 | No/No |
| MAX202 | +5 | 2 | 2 | 0 | 4 | No/No |
| MAX203 | +5 | 2 | 2 | 0 | None | No/No |
| MAX204 | +5 | 4 | 0 | 0 | 4 | No/No |
| MAX205 | +5 | 5 | 5 | 0 | None | Yes/Yes |
| MAX206 | +5 | 4 | 3 | 0 | 4 | Yes/Yes |
| MAX207 | +5 | 5 | 3 | 0 | 4 | No/No |
| MAX208 | +5 | 4 | 4 | 0 | 4 | No/No |
| MAX209 | +5 and +9.0 to +13.2 | 3 | 5 | 0 | 2 | No/Yes |
| MAX211 | +5 | 4 | 5 | 0 | 4 | Yes/Yes |
| MAX213 | +5 | 4 | 5 | 2 | 4 | Yes/Yes |



Maxim Integrated Products 1

For pricing, delivery, and ordering information, please contact Maxim/Dallas Direct! at 1-888-629-4642, or visit Maxim's website at www.maxim-ic.com.

+5V RS-232 Transceivers with 0.1μF External Capacitors

ABSOLUTE MAXIMUM RATINGS

| | | | |
|---|--|--|--------|
| V _{CC} | -0.3V to +6V | 20-Pin Plastic DIP (derate 11.11mW/°C above +70°C) .. | 889mW |
| V ₊ | (V _{CC} - 0.3V) to +14V | 20-Pin Wide SO (derate 10.00mW/°C above +70°C) .. | 800mW |
| V ₋ | +0.3V to -14V | 20-Pin CERDIP (derate 11.11mW/°C above +70°C) .. | 889mW |
| Input Voltages | | | |
| T _{IN} | -0.3V to (V _{CC} + 0.3V) | 24-Pin Narrow Plastic DIP (derate 13.33mW/°C above +70°C) .. | 1067mW |
| R _{IN} | ±30V | 24-Pin Wide Plastic DIP (derate 9.09mW/°C above +70°C) .. | 727mW |
| Output Voltages | | | |
| T _{OUT} | (V ₊ + 0.3V) to (V ₋ - 0.3V) | 24-Pin Wide SO (derate 11.76mW/°C above +70°C) .. | 941mW |
| R _{OUT} | -0.3V to (V _{CC} + 0.3V) | 24-Pin SSOP (derate 8.00mW/°C above +70°C) .. | 640mW |
| Short-Circuit Duration | | | |
| T _{OUT} | Continuous | 24-Pin CERDIP (derate 12.50mW/°C above +70°C) .. | 1000mW |
| Continuous Power Dissipation (T _A = +70°C) | | | |
| 14-Pin Plastic DIP (derate 10.00mW/°C above +70°C) .. | | 28-Pin Wide SO (derate 12.50mW/°C above +70°C) .. | 1000mW |
| 16-Pin Plastic DIP (derate 10.53mW/°C above +70°C) .. | | 28-Pin SSOP (derate 9.52mW/°C above +70°C) .. | 762mW |
| 16-Pin SO (derate 8.70mW/°C above +70°C) .. | | | |
| 16-Pin Wide SO (derate 9.52mW/°C above +70°C) .. | | | |
| 16-Pin CERDIP (derate 10.00mW/°C above +70°C) .. | | | |

| | |
|---|-----------------|
| Operating Temperature Ranges: | |
| MAX2__C__ | 0°C to +70°C |
| MAX2__E__ | -40°C to +85°C |
| MAX2__M__ | -55°C to +125°C |
| Storage Temperature Range | |
| -65°C to +160°C | |
| Lead Temperature (soldering, 10sec) | |
| +300°C | |

Stresses beyond those listed under "Absolute Maximum Ratings" may cause permanent damage to the device. These are stress ratings only, and functional operation of the device at these or any other conditions beyond those indicated in the operational sections of the specifications is not implied. Exposure to absolute maximum rating conditions for extended periods may affect device reliability.

ELECTRICAL CHARACTERISTICS

(MAX202/204/206/208/211/213 V_{CC} = 5V ±10%, MAX200/203/205/207 V_{CC} = 5V ±5%, C1-C4 = 0.1μF, MAX201/MAX209 V_{CC} = 5V ±10%, V₊ = 9.0V to 13.2V, T_A = T_{MIN} to T_{MAX}, unless otherwise noted.)

| PARAMETER | CONDITIONS | MIN | TYP | MAX | UNITS |
|--------------------------------------|--|---------------------------------------|-----|-----|-------|
| Output Voltage Swing | All transmitter outputs loaded with 3kΩ to ground | ±5 | ±8 | | V |
| V _{CC} Power-Supply Current | No load, T _A = +25°C | MAX202, MAX203 | 8 | 15 | mA |
| | | MAX200, MAX204-MAX208, MAX211, MAX213 | 11 | 20 | |
| | | MAX201, MAX209 | 0.4 | 1 | |
| V ₊ Power-Supply Current | No load | MAX201 | 5 | 10 | mA |
| | | MAX209 | 7 | 15 | |
| Shutdown Supply Current | Figure 1, T _A = +25°C | MAX200, MAX205, MAX206, MAX211 | 1 | 10 | μA |
| | | MAX213 | 15 | 50 | |
| Input Logic Threshold Low | T _{IN} , \overline{EN} , SHDN, EN, SHDN | | | 0.8 | V |
| Input Logic Threshold High | T _{IN} | 2.0 | | | V |
| | \overline{EN} , SHDN, EN, SHDN | 2.4 | | | |
| Logic Pull-Up Current | T _{IN} = 0V | | 15 | 200 | μA |
| RS-232 Input Voltage Operating Range | | -30 | | +30 | V |
| Receiver Input Threshold Low | V _{CC} = 5V, T _A = +25°C | Active mode | 0.8 | 1.2 | V |
| | | Shutdown mode, MAX213, R4, R5 | 0.6 | 1.5 | |
| Receiver Input Threshold High | V _{CC} = 5V, T _A = +25°C | Active mode | 1.7 | 2.4 | V |
| | | Shutdown mode, MAX213, R4, R5 | 1.5 | 2.4 | |
| RS-232 Input Hysteresis | V _{CC} = 5V, no hysteresis in shutdown | 0.2 | 0.5 | 1.0 | V |
| RS-232 Input Resistance | V _{CC} = 5V, T _A = +25°C | 3 | 5 | 7 | kΩ |

+5V RS-232 Transceivers with 0.1 μ F External Capacitors

ELECTRICAL CHARACTERISTICS (continued)

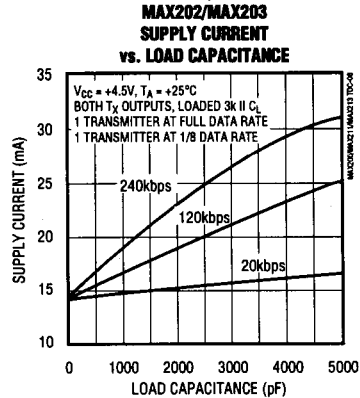
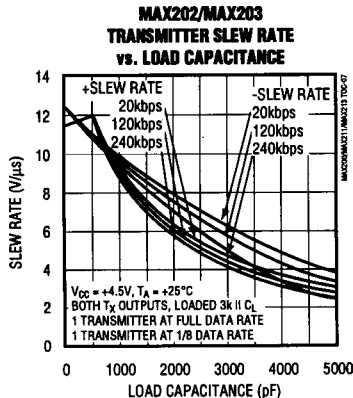
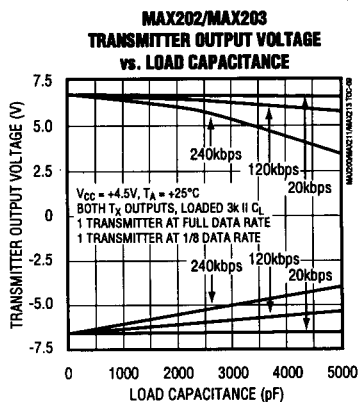
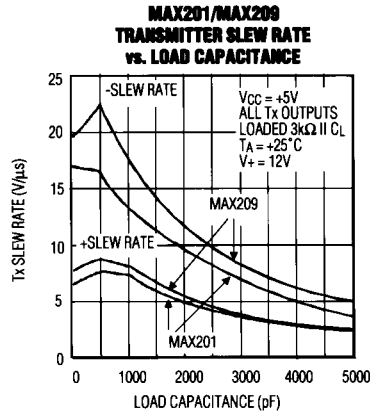
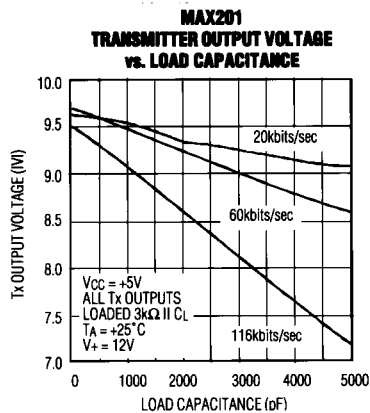
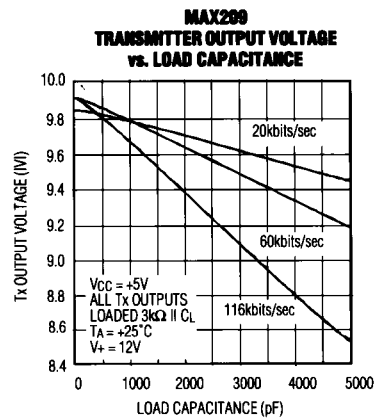
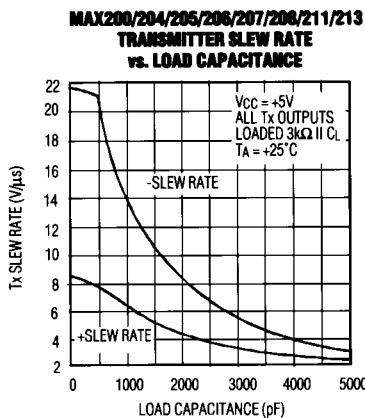
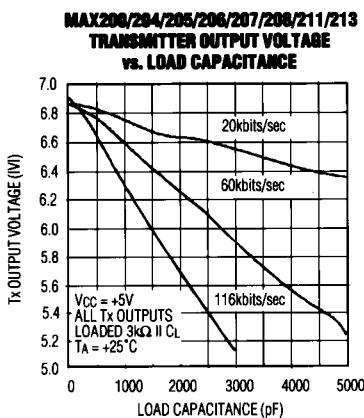
(MAX202/204/206/208/211/213 $V_{CC} = 5V \pm 10\%$, MAX200/203/205/207 $V_{CC} = 5V \pm 5\%$, C1-C4 = 0.1 μ F, MAX201/MAX209 $V_{CC} = 5V \pm 10\%$, $V_+ = 9.0V$ to 13.2V, $T_A = T_{MIN}$ to T_{MAX} , unless otherwise noted.)

| PARAMETER | CONDITIONS | | MIN | TYP | MAX | UNITS |
|-------------------------------------|--|----------------------------------|-----|----------|----------|------------|
| TTL/CMOS Output Voltage Low | $I_{OUT} = 3.2mA$ (MAX201, MAX202, MAX203), $I_{OUT} = 1.6mA$ (all others) | | | | 0.4 | V |
| TTL/CMOS Output Voltage High | $I_{OUT} = 1.0mA$ | | 3.5 | | | V |
| TTL/CMOS Output Leakage Current | $\overline{EN} = V_{CC}$, $EN = 0V$, $0V \leq R_{OUT} \leq V_{CC}$ | | | 0.05 | ± 10 | μA |
| Output Enable Time (Figure 2) | MAX205, MAX206, MAX209, MAX211, MAX213 | | | 600 | | ns |
| Output Disable Time (Figure 2) | MAX205, MAX206, MAX209, MAX211, MAX213 | | | 200 | | ns |
| Receiver Propagation Delay | MAX213 | $\overline{SHDN} = 0V$, R4, R5 | | 4 | 40 | μs |
| | | $\overline{SHDN} = V_{CC}$ | | 0.5 | 10 | |
| | MAX200-MAX211 | | | 0.5 | 10 | |
| Transmitter Output Resistance | $V_{CC} = V_+ = V_- = 0V$, $V_{OUT} = \pm 2V$ | | 300 | | | Ω |
| Transition Region Slew Rate | $C_L = 50pF$ to 2500pF, $R_L = 3k\Omega$ to 7k Ω , $V_{CC} = 5V$, $T_A = +25^\circ C$ measured from +3V to -3V or -3V to +3V | MAX200, MAX202-MAX211, MAX213 | 3 | 5.5 | 30 | V/ μs |
| | | MAX201 | | 4 | 30 | |
| RS-232 Output Short-Circuit Current | | | | ± 10 | ± 60 | mA |
| Maximum Data Rate | $R_L = 3k\Omega$ to 7k Ω , $C_L = 50pF$ to 1000pF, one transmitter | | 120 | | | kbps |

MAX200-MAX211/MAX213

+5V RS-232 Transceivers with 0.1 μ F External Capacitors

Typical Operating Characteristics



+5V RS-232 Transceivers with 0.1μF External Capacitors

MAX200-MAX211/MAX213

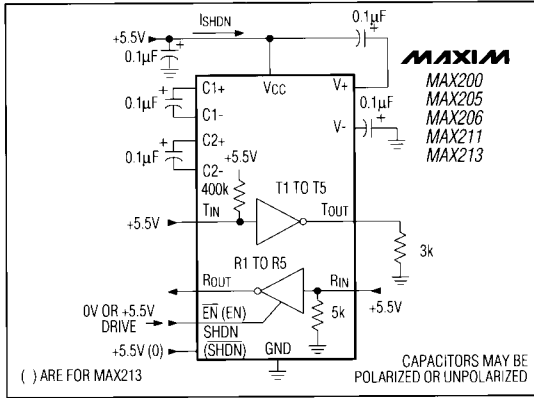


Figure 1. Shutdown Current Test Circuit

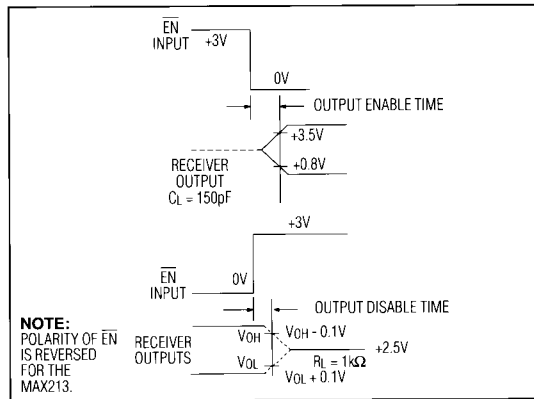


Figure 2. Receiver Output Enable and Disable Timing

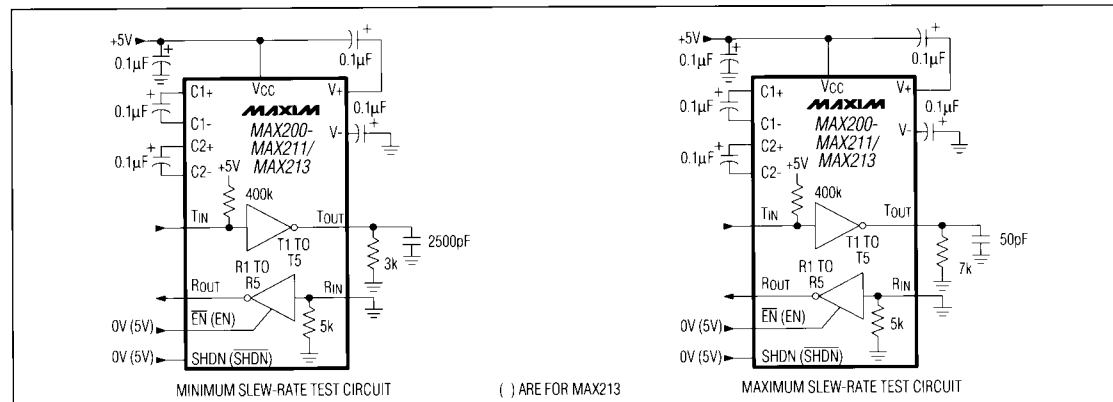


Figure 3. Transition Slew-Rate Test Circuit

Detailed Description

The MAX200-MAX211/MAX213 consist of three sections: charge-pump voltage converters, drivers (transmitters), and receivers. Each section is described in detail below.

+5V to ±10V Dual Charge-Pump Voltage Converter

+5V to ±10V conversion is performed by two charge-pump voltage converters (Figure 4). The first uses capacitor C1 to double +5V to +10V, storing +10V on the V+ output filter capacitor, C3. The second charge-pump voltage converter uses capacitor C2 to invert +10V to -10V, storing -10V on the V- output filter capacitor, C4.

The MAX201 and MAX209 include only the V+ to V- charge-pump, and are intended for applications that have a VCC = +5V supply and a V+ supply in the +9V to +13.2V range.

In shutdown mode, V+ is internally connected to VCC by a 1kΩ pull-down resistor and V- is internally connected to ground by a 1kΩ pull-up resistor.

RS-232 Drivers

With VCC = 5V, the typical driver-output voltage swing is ±8V when loaded with a nominal 5kΩ RS-232 receiver. The output swing is guaranteed to meet the EIA/TIA-232E and V.28 specifications which call for ±5V minimum output levels under worst-case conditions. These include a minimum 3kΩ load, VCC = 4.5V, and maximum operating temperature. The open-circuit output voltage swing ranges from (V+ - 0.6V) to V-.

Input thresholds are both CMOS and TTL compatible. The inputs of unused drivers can be left unconnected, since 400kΩ pull-up resistors to VCC are included on-

+5V RS-232 Transceivers with 0.1μF External Capacitors

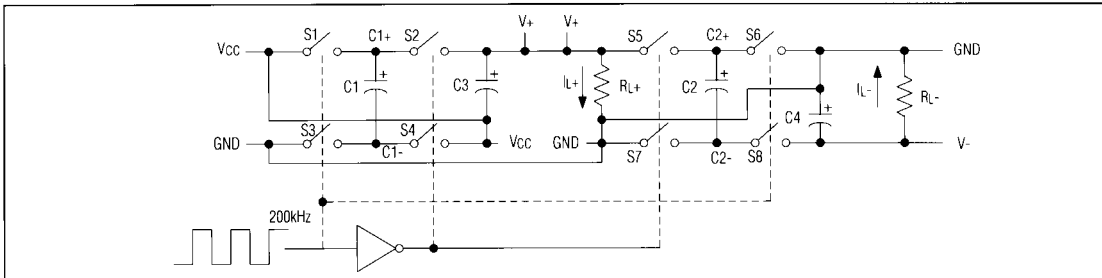


Figure 4. Dual Charge-Pump Diagram

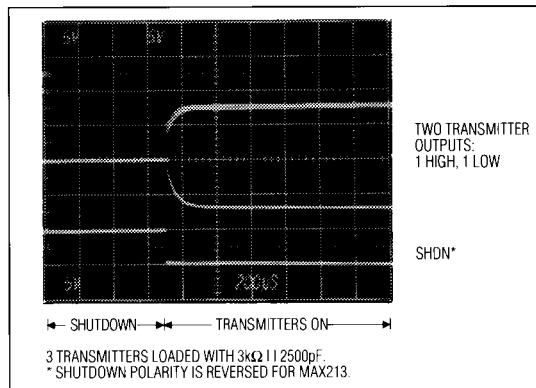


Figure 5. Transmitter Outputs When Exiting Shutdown

chip. Since all drivers invert, the pull-up resistors force the outputs of unused drivers low. The input pull-up resistors typically source 15μA; therefore, the driver inputs should be driven high or open circuited to minimize power-supply current in shutdown mode.

When in low-power shutdown mode, the driver outputs are turned off and their leakage current is less than 1μA, even if the transmitter output is backdriven between 0V and (VCC + 6V). Below -0.5V, the transmitter output is diode clamped to ground with a 1kΩ series impedance. The transmitter output is also zener clamped to approximately (VCC + 6V), with a 1kΩ series impedance.

RS-232 Receivers

The receivers convert RS-232 signals to CMOS logic output levels. Receiver outputs are inverting, maintaining compatibility with driver outputs. The guaranteed receiver input thresholds of 0.8V and 2.4V are significantly tighter than the ±3.0V thresholds required by the EIA/TIA-232E specification. This allows receiver inputs to respond to TTL/CMOS logic levels, and improves noise margin for RS-232 levels.

The MAX200-MAX211/MAX213's guaranteed 0.8V threshold (0.6V in shutdown for the MAX213) ensures that receivers shorted to ground will have a logic 1 output. Also, the 5kΩ input resistance to ground ensures that a receiver with its input left open will also have a logic 1 output.

Receiver inputs have approximately 0.5V hysteresis. This provides clean output transitions, even with slow rise and fall time input signals with moderate amounts of noise and ringing. In shutdown, the MAX213 receivers R4 and R5 have no hysteresis.

Shutdown and Enable Control

In shutdown mode, the MAX200/MAX205/MAX206/MAX211/MAX213 charge pumps are turned off, V+ is pulled down to VCC, V- is pulled to ground, and the transmitter outputs are disabled. This reduces supply current typically to 1μA (15μA for the MAX213). The time required to exit shutdown is 1ms, as shown in Figure 5.

All receivers except R4 and R5 on the MAX213 are put into a high-impedance state in shutdown mode. The MAX213's R4 and R5 receivers still function in shutdown mode. These two receivers are useful for monitoring external activity while maintaining minimal power consumption.

+5V RS-232 Transceivers with 0.1 μ F External Capacitors

MAX200-MAX211/MAX213

The enable control is used to put the receiver outputs into a high-impedance state, so that the receivers can be connected directly to a three-state bus. It has no effect on the RS-232 drivers or on the charge pumps.

MAX213 Receiver Operation in Shutdown

During normal operation, the MAX213's receiver propagation delay is typically 1 μ s. When entering shutdown with receivers active, R4 and R5 are not valid until 80 μ s

after $\overline{\text{SHDN}}$ is driven low. In shutdown mode, propagation delays increase to 4 μ s for a high-to-low or a low-to-high transition.

When exiting shutdown, all receiver outputs are invalid until the charge pumps reach nominal values (<2ms when using 0.1 μ F capacitors).

Table 1a. MAX200 Control Pin Configurations

| SHDN | OPERATION STATUS | TRANSMITTERS T1-T5 |
|------|------------------|--------------------|
| 0 | Normal Operation | All Active |
| 1 | Shutdown | All High-Z |

Table 1b. MAX205/MAX206/MAX211 Control Pin Configurations

| SHDN | $\overline{\text{EN}}$ | OPERATION STATUS | TRANSMITTERS T1-T5 | RECEIVERS R1-R5 |
|------|------------------------|------------------|--------------------|-----------------|
| 0 | 0 | Normal Operation | All Active | All Active |
| 0 | 1 | Normal Operation | All Active | All High-Z |
| 1 | 0 | Shutdown | All High-Z | All High-Z |

Table 1c. MAX213 Control Pin Configurations

| SHDN | EN | OPERATION STATUS | TRANSMITTERS | RECEIVERS | |
|------|----|------------------|--------------|-----------|---------|
| | | | T1-T4 | R1-R3 | R4, R5 |
| 0 | 0 | Shutdown | All High-Z | High-Z | High-Z |
| 0 | 1 | Shutdown | All High-Z | High-Z | Active* |
| 1 | 0 | Normal Operation | All Active | High-Z | High-Z |
| 1 | 1 | Normal Operation | All Active | Active | Active |

* Active = active with reduced performance.

+5V RS-232 Transceivers with 0.1 μ F External Capacitors

Applications Information

Capacitor Selection

The type of capacitor used is not critical for proper operation. Ceramic capacitors are suggested. To ensure proper RS-232 signal levels over temperature when using 0.1 μ F capacitors, make sure the capacitance value does not degrade excessively as the temperature varies. If in doubt, use capacitors with a larger nominal value. Also observe the capacitors' ESR (effective series resistance) value over temperature, since it will influence the amount of ripple on V+ and V-. To reduce the output impedance at V+ and V-, use larger capacitors (up to 10 μ F). If polarized capacitors are used, obey the polarities shown in Figure 1 and the Pin Configuration diagrams.

Driving Multiple Receivers

Each transmitter is designed to drive a single receiver. Transmitters can be paralleled to drive multiple receivers.

Driver Outputs when Exiting Shutdown

Figure 5 shows two driver outputs exiting shutdown. As they become active, the two driver outputs are shown going to opposite RS-232 levels (one driver input is high, the other is low). Each driver is loaded with 3k Ω in parallel with 2500pF. The driver outputs display no ringing or undesirable transients as they come out of shutdown.

Power-Supply Decoupling

In applications that are sensitive to power-supply noise, decouple VCC to ground with a capacitor of the same value as the charge-pump capacitors.

V+ and V- as Power Supplies

A small amount of power can be drawn from V+ and V-, although this will reduce noise margins.

Power Supplies for MAX201/MAX209

If at power-up, the V+ supply rises after the VCC supply, place a diode (e.g. 1N914) in series with the V+ supply.

Table 2. Summary of EIA/TIA-232E, V.28 Specifications

| PARAMETER | CONDITION | EIA/TIA-232E, V.28 SPECIFICATION |
|--|--|---|
| Driver Output Voltage 0 Level 1 Level Output Level, Max | 3k Ω to 7k Ω load 3k Ω to 7k Ω load No load | +5.0V to +15V -5.0V to -15V \pm 25V |
| Data Rate | 3k Ω \leq R _L \leq 7k Ω , C _L \leq 2500pF | Up to 20kbits/sec |
| Receiver Input Voltage 0 Level 1 Level Input Level, Max | | +3.0V to +15V -3.0V to -15V \pm 25V |
| Instantaneous Slew Rate, Max | 3k Ω \leq R _L \leq 7k Ω , C _L \leq 2500pF | 30V/ μ s |
| Driver Output Short-Circuit Current, Max | | 100mA |
| Transition Rate on Driver Output | V.28 | 1ms or 3% of the period |
| | EIA/TIA-232E | 4% of the period |
| Driver Output Resistance | -2V < V _{OUT} < +2V | 300 Ω |

+5V RS-232 Transceivers with 0.1 μ F External Capacitors

MAX200-MAX211/MAX213

Table 3. DB9 Cable Connections Commonly Used for EIA/TIA-232E and V.24 Asynchronous Interfaces

| PIN | CONNECTION | |
|-----|--|-----------------------------|
| 1 | Received Line Signal Detector, sometimes called Carrier Detect (DCD) | Handshake from DCE |
| 2 | Receive Data (RD) | Data from DCE |
| 3 | Transmit Data (TD) | Data from DTE |
| 4 | Data Terminal Ready | Handshake from DTE |
| 5 | Signal Ground | Reference point for signals |
| 6 | Data Set Ready (DSR) | Handshake from DCE |
| 7 | Request to Send (RTS) | Handshake from DTE |
| 8 | Clear to Send (CTS) | Handshake from DCE |
| 9 | Ring Indicator | Handshake from DCE |

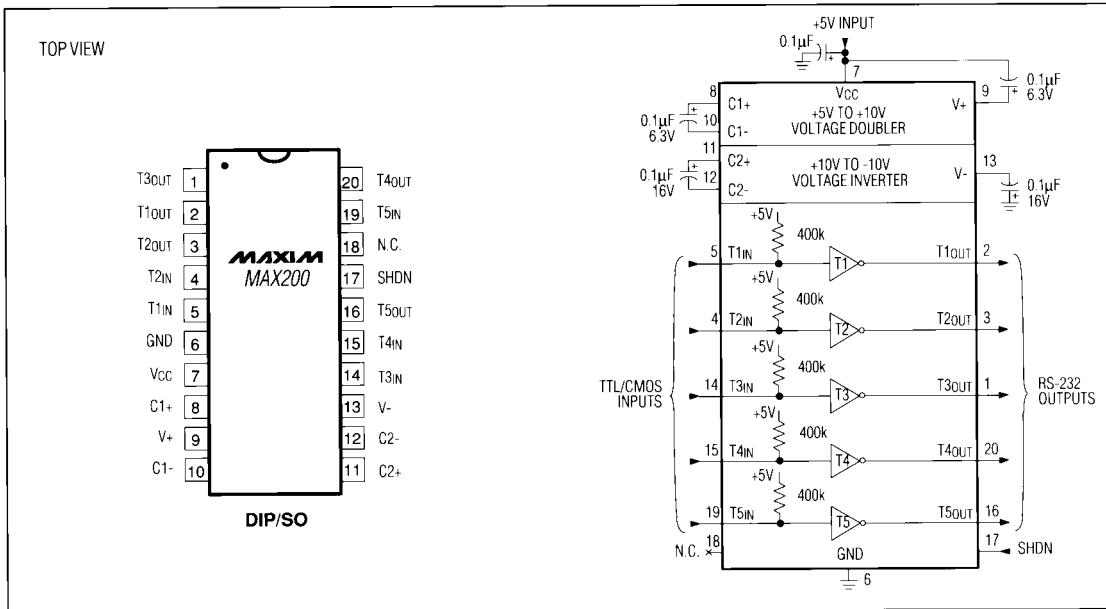


Figure 6. MAX200 Pin Configuration and Typical Operating Circuit

+5V RS-232 Transceivers with 0.1μF External Capacitors

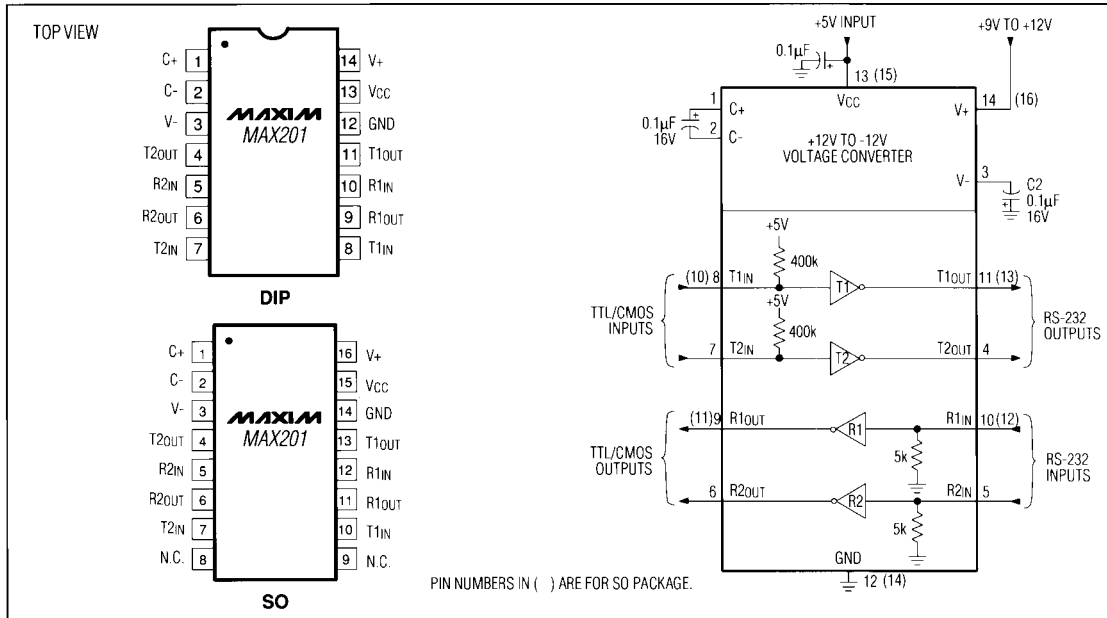


Figure 7. MAX201 Pin Configurations and Typical Operating Circuit

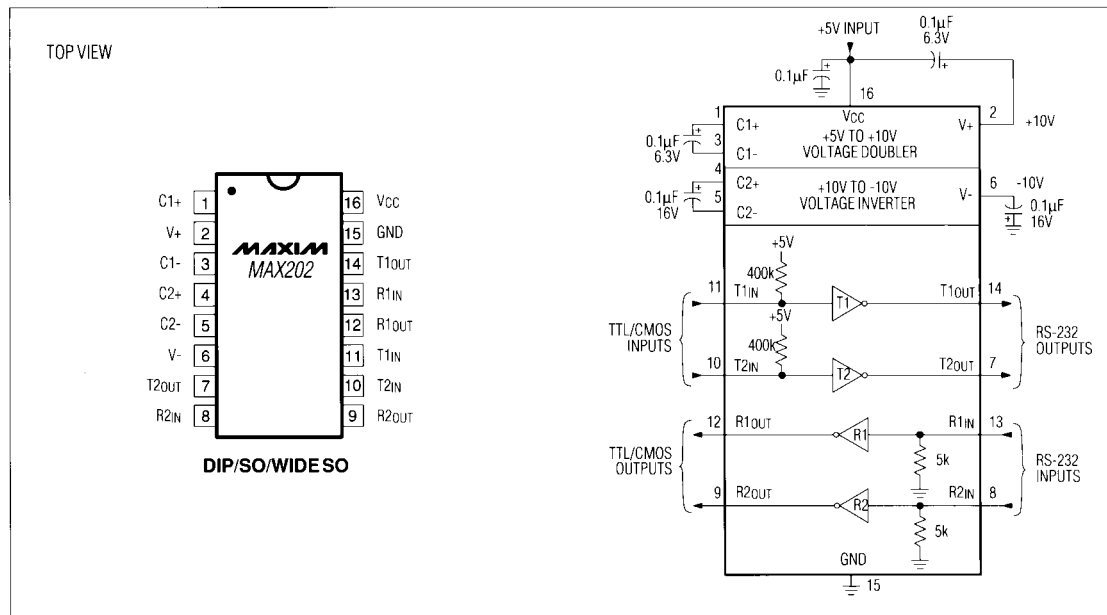


Figure 8. MAX202 Pin Configuration and Typical Operating Circuit

+5V RS-232 Transceivers with 0.1 μ F External Capacitors

MAX200-MAX211/MAX213

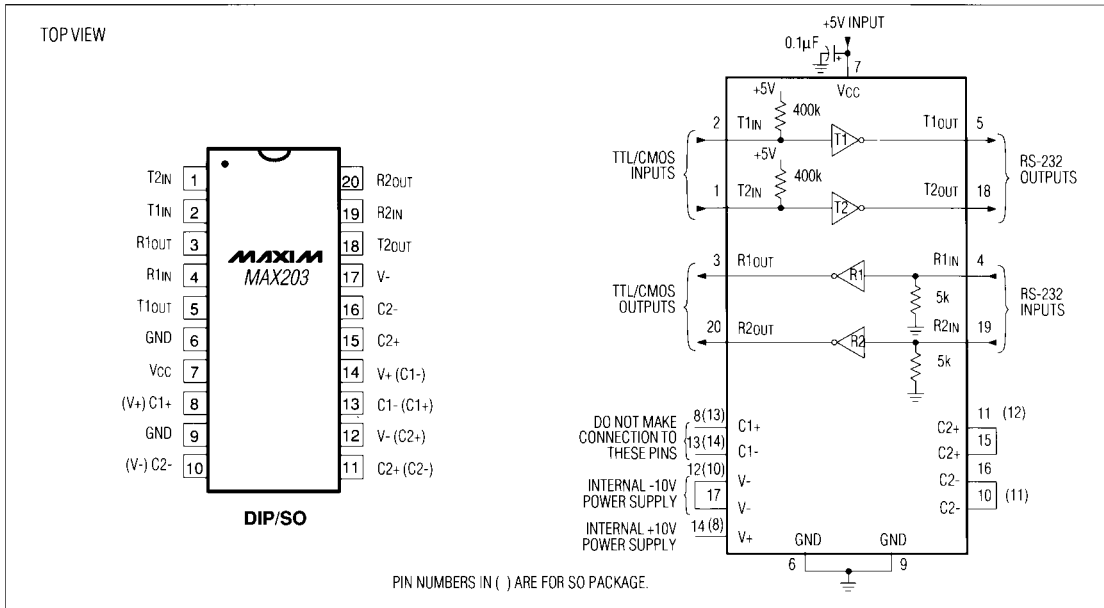


Figure 9. MAX203 Pin Configuration and Typical Operating Circuit

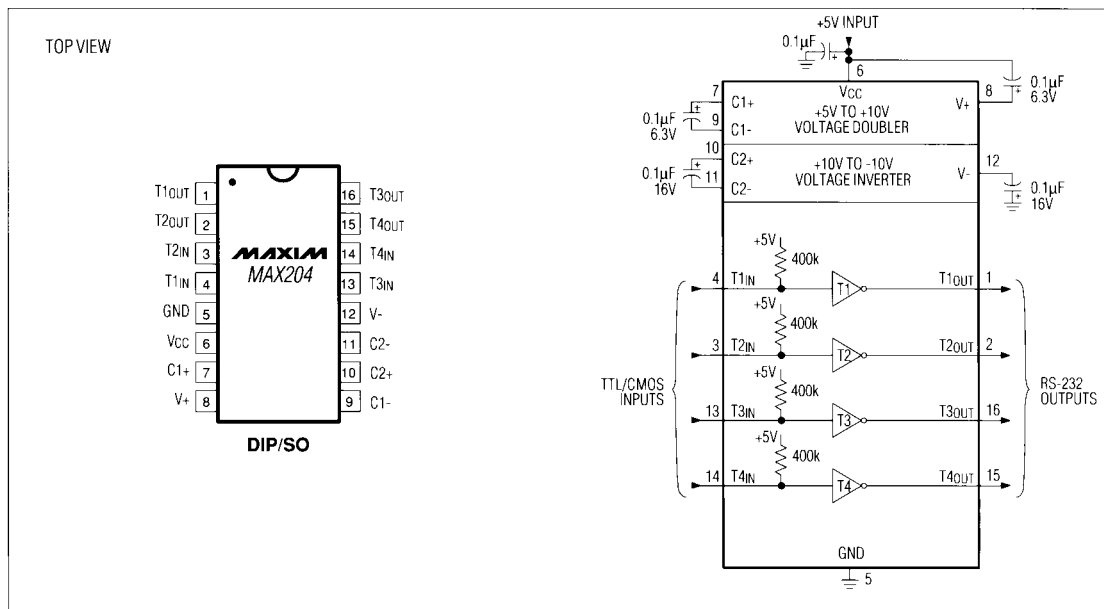


Figure 10. MAX204 Pin Configuration and Typical Operating Circuit

+5V RS-232 Transceivers with 0.1 μ F External Capacitors

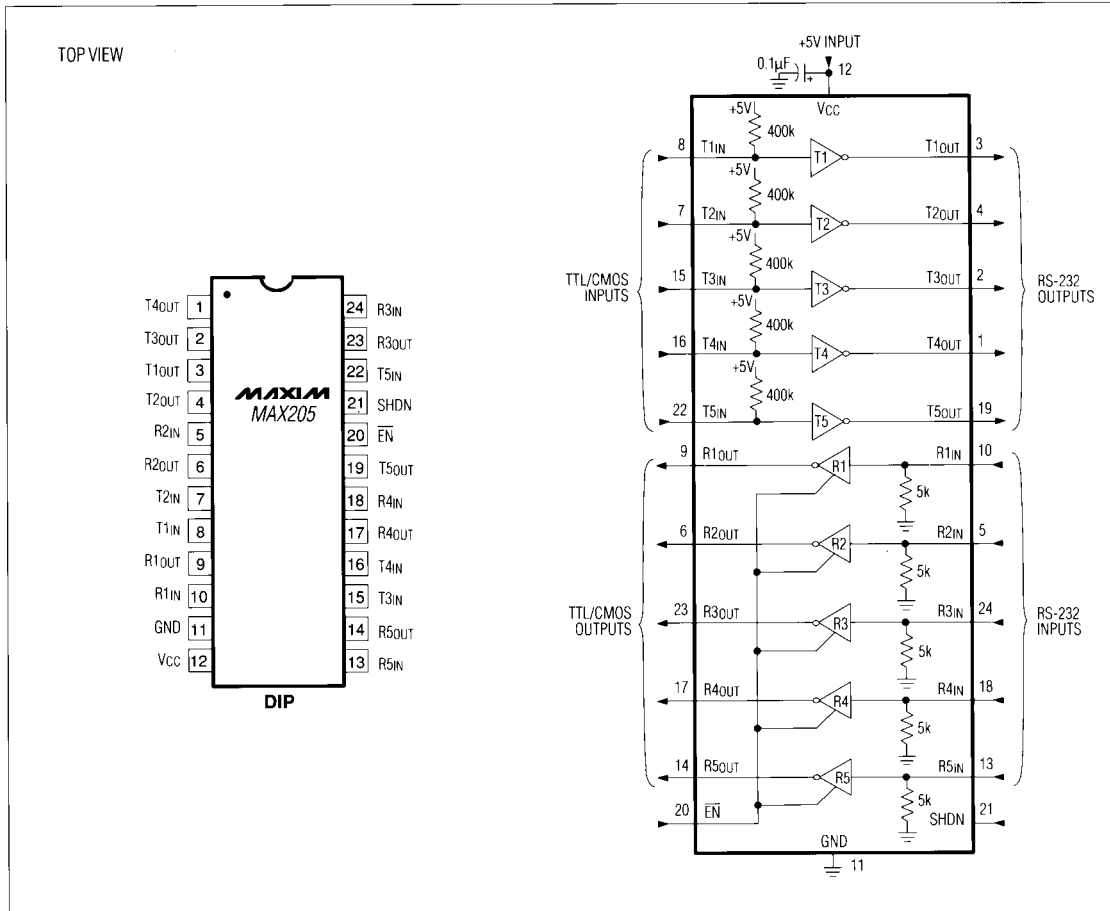


Figure 11. MAX205 Pin Configuration and Typical Operating Circuit

+5V RS-232 Transceivers with 0.1 μ F External Capacitors

MAX200-MAX211/MAX213

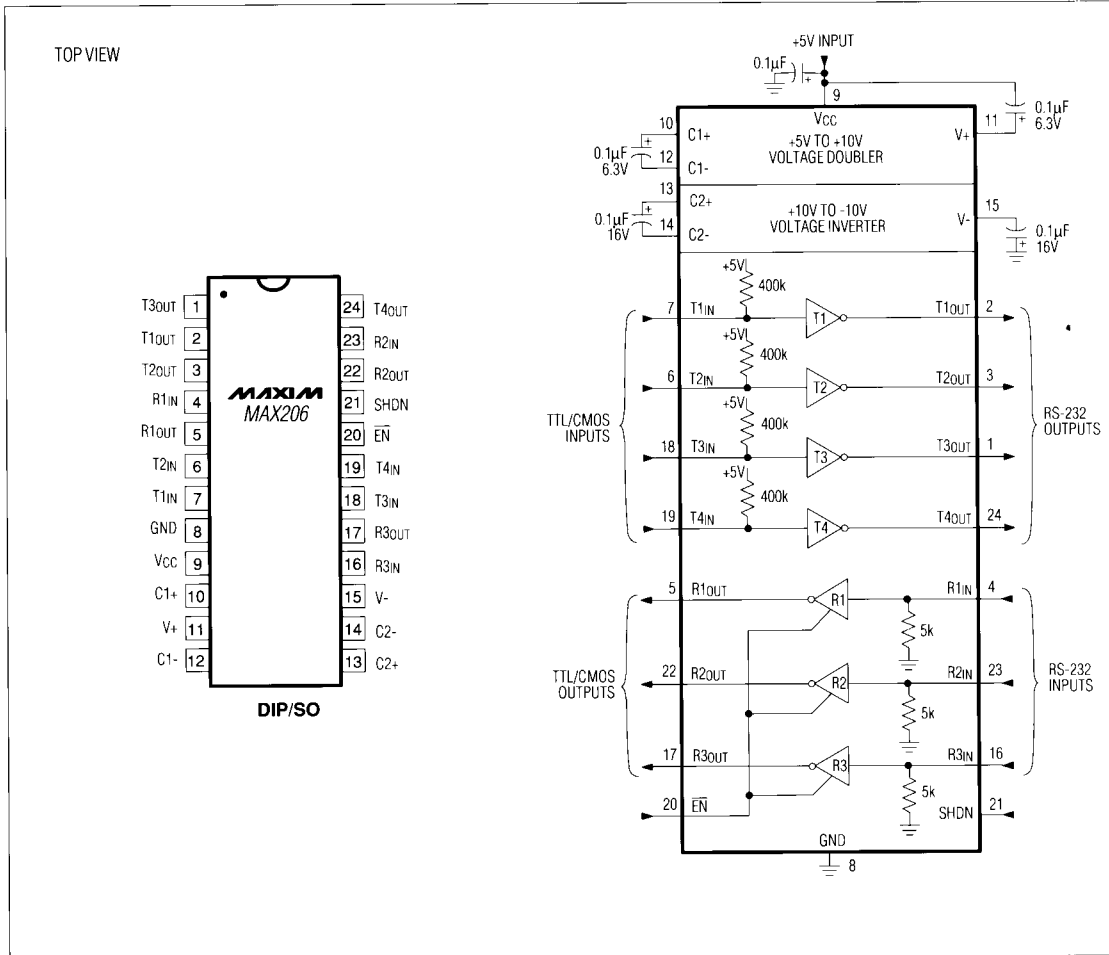


Figure 12. MAX206 Pin Configuration and Typical Operating Circuit

MAX200-MAX211/MAX213

+5V RS-232 Transceivers with 0.1µF External Capacitors

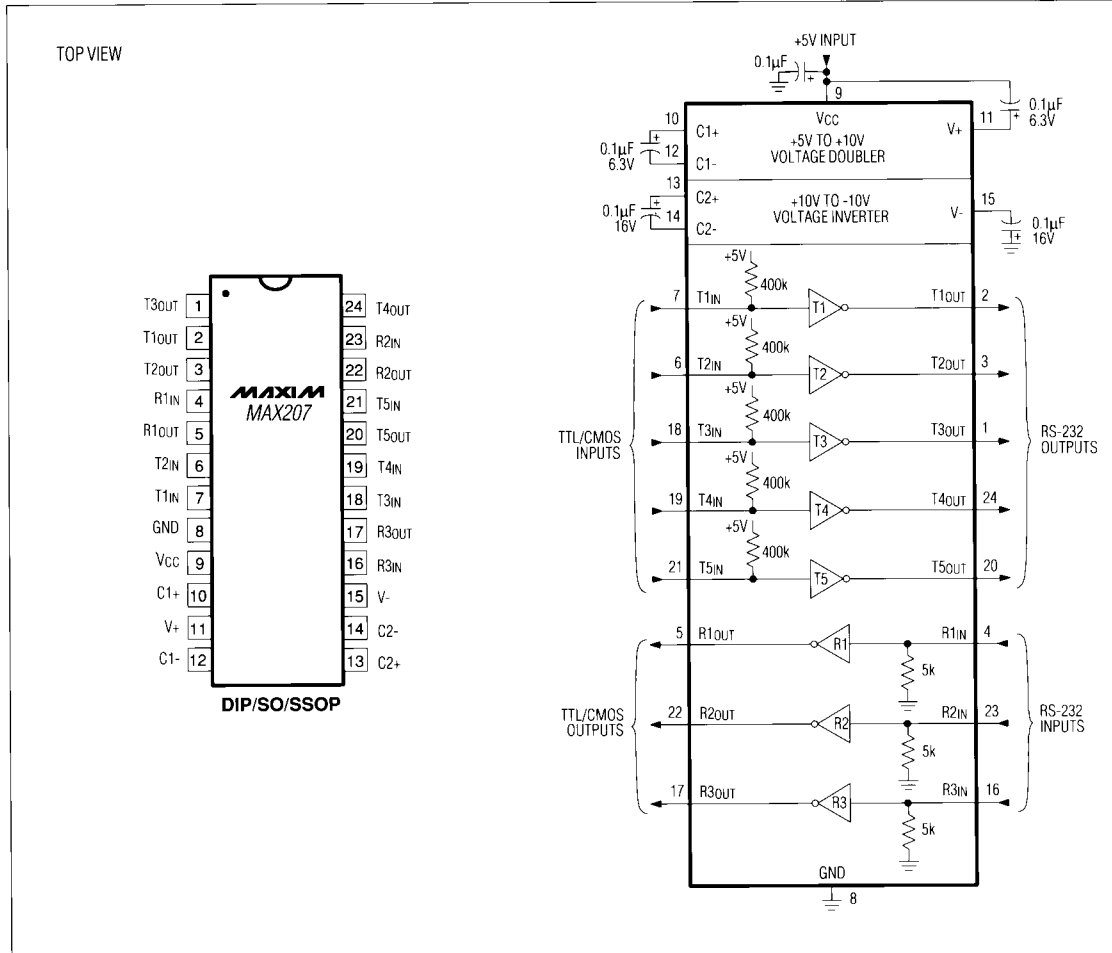


Figure 13. MAX207 Pin Configuration and Typical Operating Circuit

+5V RS-232 Transceivers with 0.1μF External Capacitors

MAX200-MAX211/MAX213

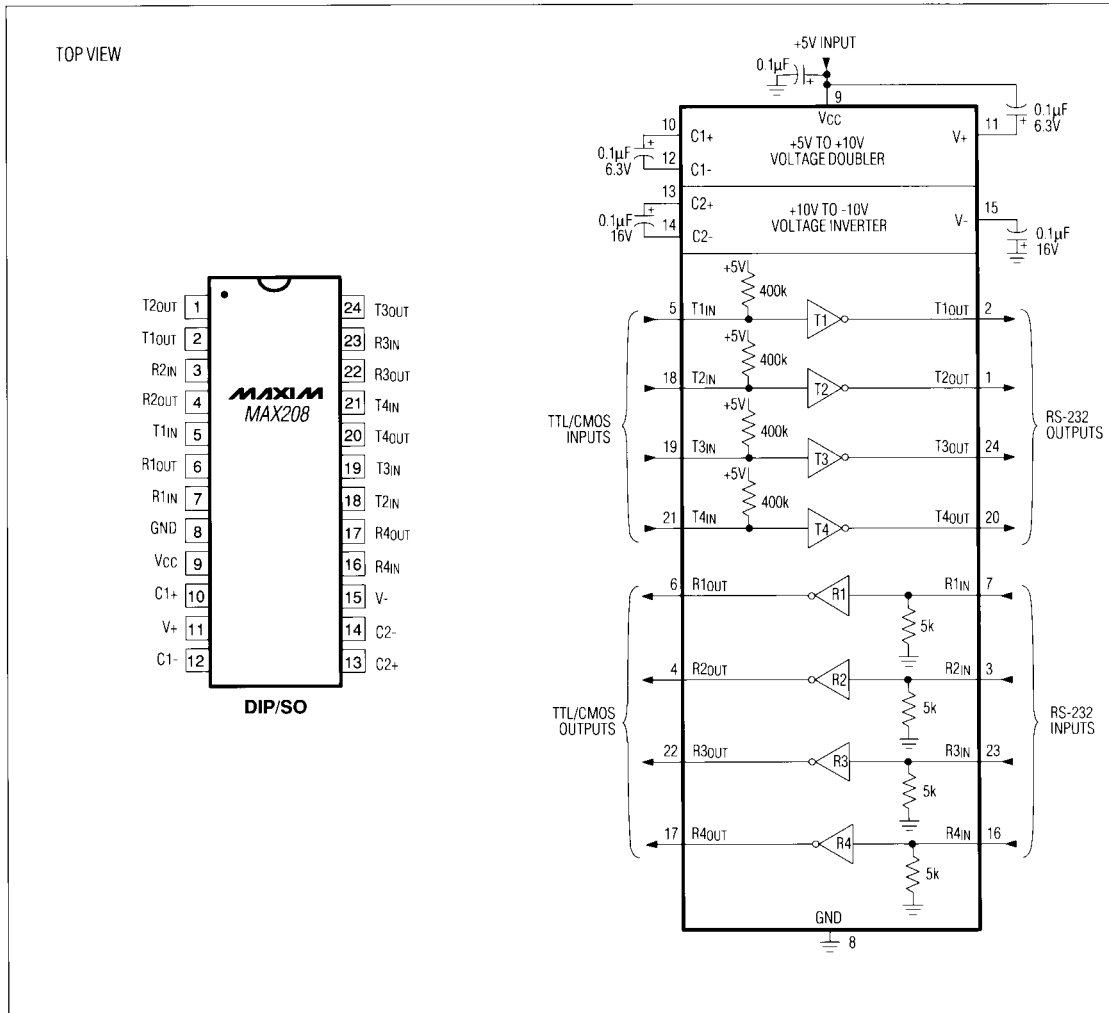


Figure 14. MAX208 Pin Configuration and Typical Operating Circuit

MAX200-MAX211/MAX213

**+5V RS-232 Transceivers
with 0.1 μ F External Capacitors**

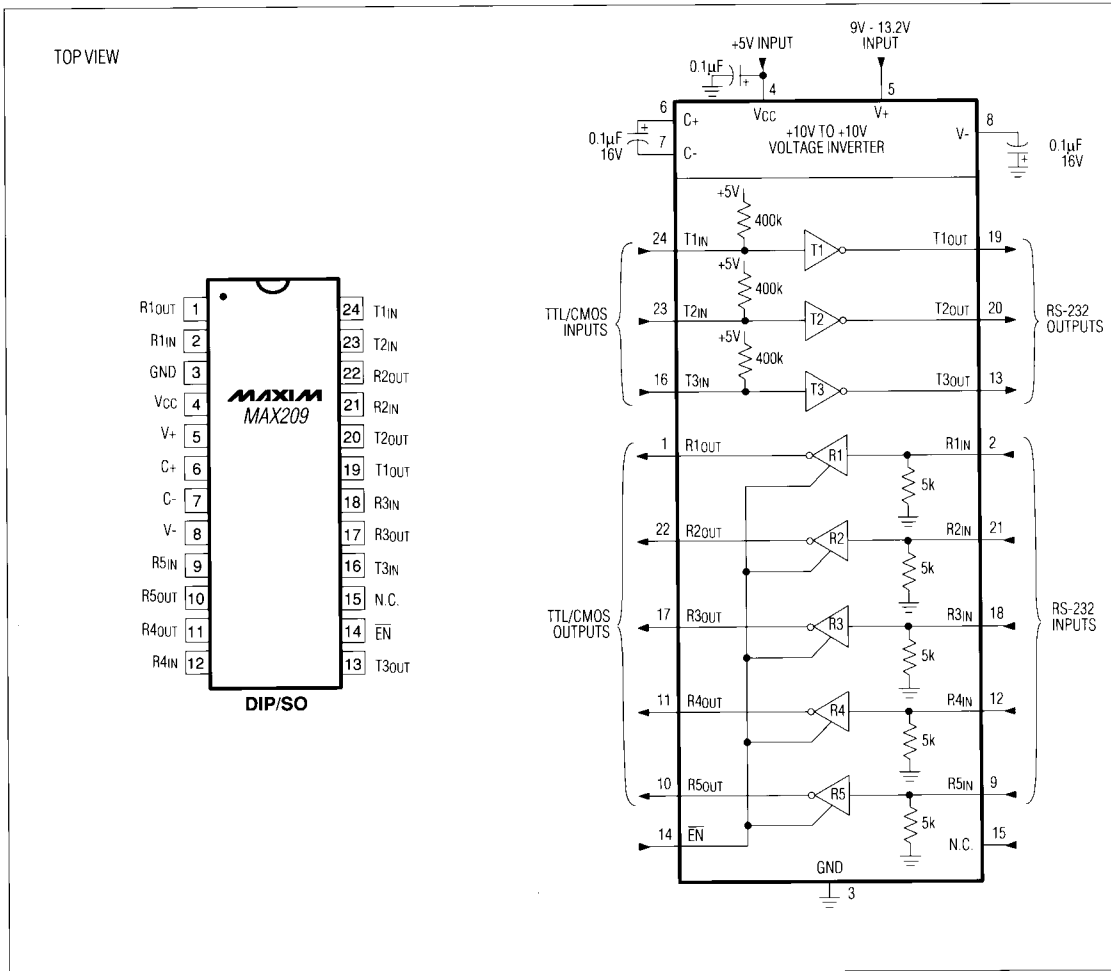


Figure 15. MAX209 Pin Configuration and Typical Operating Circuit

+5V RS-232 Transceivers with 0.1 μ F External Capacitors

MAX200-MAX211/MAX213

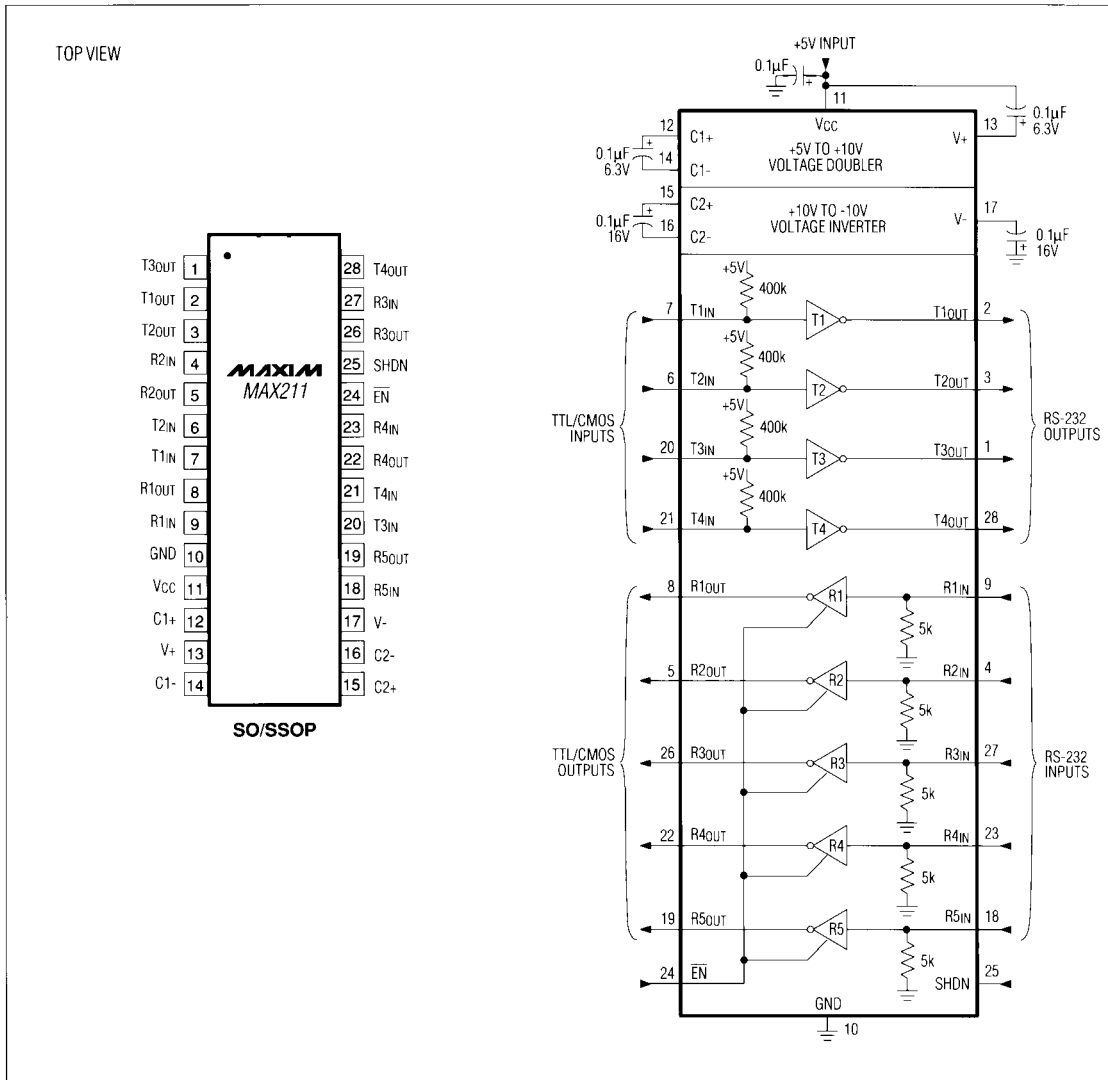


Figure 16. MAX211 Pin Configuration and Typical Operating Circuit

MAX200-MAX211/MAX213

+5V RS-232 Transceivers with 0.1µF External Capacitors

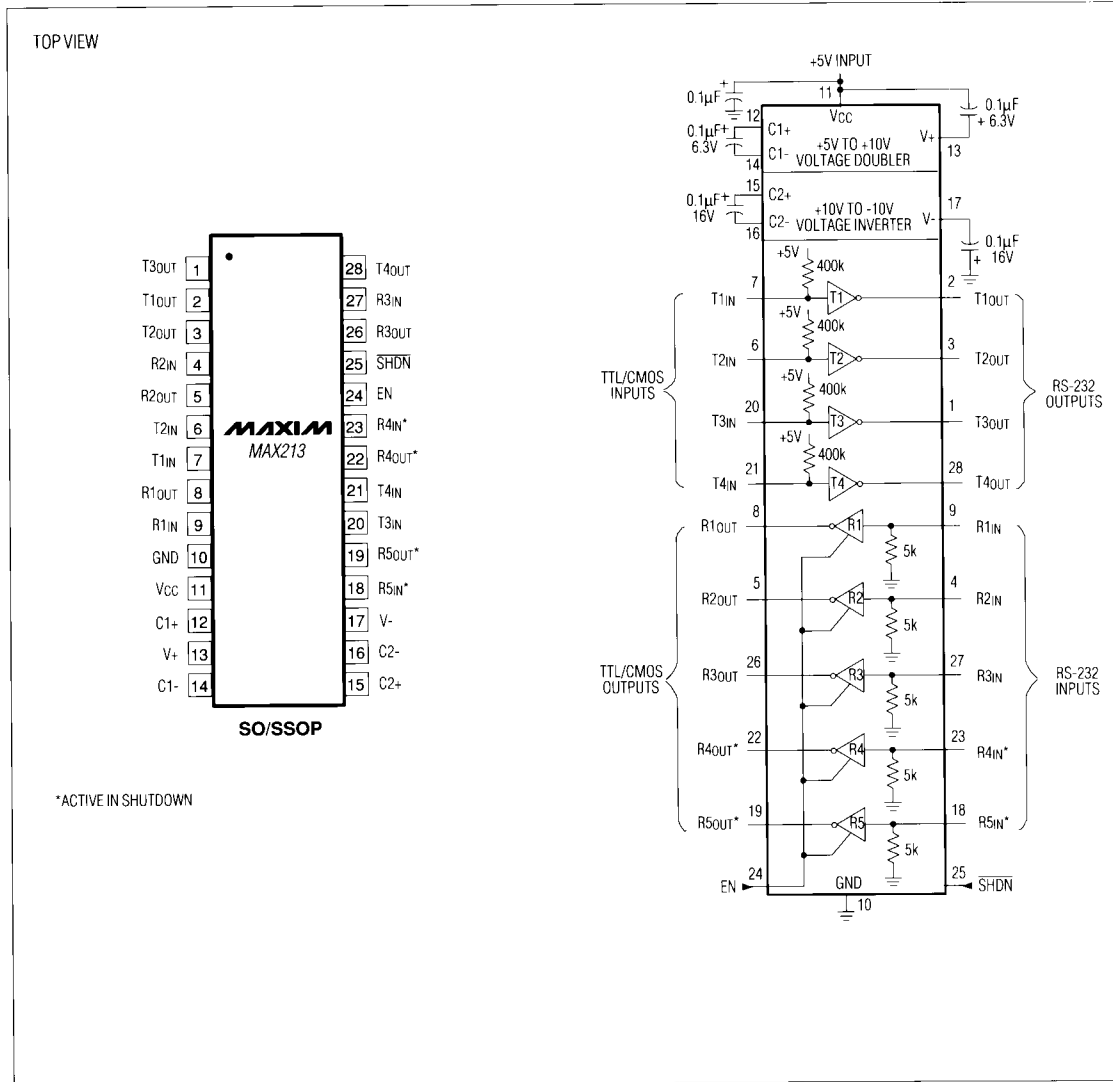


Figure 17. MAX213 Pin Configuration and Typical Operating Circuit

+5V, RS-232 Transceivers with 0.1 μ F External Capacitors

Ordering Information

MAX200-MAX211/MAX213

| PART | TEMP RANGE | PIN-PACKAGE |
|-------------------|----------------|-----------------------|
| MAX200 CPP | 0°C to +70°C | 20 Plastic Dip |
| MAX200CWP | 0°C to +70°C | 20 Wide SO |
| MAX200EPP | -40°C to +85°C | 20 Plastic Dip |
| MAX200EWP | -40°C to +85°C | 20 Wide SO |
| MAX201 CPD | 0°C to +70°C | 14 Plastic Dip |
| MAX201CWE | 0°C to +70°C | 16 Wide SO |
| MAX201C/D | 0°C to +70°C | Dice* |
| MAX201EPD | -40°C to +85°C | 14 Plastic Dip |
| MAX201EWE | -40°C to +85°C | 16 Wide SO |
| MAX202 CPE | 0°C to +70°C | 16 Plastic Dip |
| MAX202CSE | 0°C to +70°C | 16 Narrow SO |
| MAX202CWE | 0°C to +70°C | 16 Wide SO |
| MAX202C/D | 0°C to +70°C | Dice* |
| MAX202EPE | -40°C to +85°C | 16 Plastic Dip |
| MAX202ESE | -40°C to +85°C | 16 Narrow SO |
| MAX202EWE | -40°C to +85°C | 16 Wide SO |
| MAX203 CPP | 0°C to +70°C | 20 Plastic Dip |
| MAX203CWP | 0°C to +70°C | 20 Wide SO |
| MAX203EPP | -40°C to +85°C | 20 Plastic Dip |
| MAX203EWP | -40°C to +85°C | 20 Wide SO |
| MAX204 CPE | 0°C to +70°C | 16 Plastic Dip |
| MAX204CWE | 0°C to +70°C | 16 Wide SO |
| MAX204C/D | 0°C to +70°C | Dice* |
| MAX204EPE | -40°C to +85°C | 16 Plastic Dip |
| MAX204EWE | -40°C to +85°C | 16 Wide SO |
| MAX205 CPG | 0°C to +70°C | 24 Wide Plastic Dip |
| MAX205EPG | -40°C to +85°C | 24 Wide Plastic Dip |
| MAX206 CNG | 0°C to +70°C | 24 Narrow Plastic Dip |
| MAX206CWG | 0°C to +70°C | 24 Wide SO |
| MAX206CAG | 0°C to +70°C | 24 SSOP |
| MAX206ENG | -40°C to +85°C | 24 Narrow Plastic Dip |

| PART | TEMP RANGE | PIN-PACKAGE |
|-------------------|----------------|-----------------------|
| MAX206EWG | -40°C to +85°C | 24 Wide SO |
| MAX206EAG | -40°C to +85°C | 24 SSOP |
| MAX207 CNG | 0°C to +70°C | 24 Narrow Plastic Dip |
| MAX207CWG | 0°C to +70°C | 24 Wide SO |
| MAX207CAG | 0°C to +70°C | 24 SSOP |
| MAX207ENG | -40°C to +85°C | 24 Narrow Plastic Dip |
| MAX207EWG | -40°C to +85°C | 24 Wide SO |
| MAX207EAG | -40°C to +85°C | 24 SSOP |
| MAX208 CNG | 0°C to +70°C | 24 Narrow Plastic Dip |
| MAX208CWG | 0°C to +70°C | 24 Wide SO |
| MAX208CAG | 0°C to +70°C | 24 SSOP |
| MAX208C/D | 0°C to +70°C | Dice* |
| MAX208ENG | -40°C to +85°C | 24 Narrow Plastic Dip |
| MAX208EWG | -40°C to +85°C | 24 Wide SO |
| MAX208EAG | -40°C to +85°C | 24 SSOP |
| MAX209 CNG | 0°C to +70°C | 24 Narrow Plastic Dip |
| MAX209CWG | 0°C to +70°C | 24 Wide SO |
| MAX209C/D | 0°C to +70°C | Dice* |
| MAX209ENG | -40°C to +85°C | 24 Narrow Plastic Dip |
| MAX209EWG | -40°C to +85°C | 24 Wide SO |
| MAX211 CWI | 0°C to +70°C | 28 Wide SO |
| MAX211CAI | 0°C to +70°C | 28 SSOP |
| MAX211C/D | 0°C to +70°C | Dice* |
| MAX211EWI | -40°C to +85°C | 28 Wide SO |
| MAX211EAI | -40°C to +85°C | 28 SSOP |
| MAX213 CWI | 0°C to +70°C | 28 Wide SO |
| MAX213CAI | 0°C to +70°C | 28 SSOP |
| MAX213C/D | 0°C to +70°C | Dice* |
| MAX213EWI | -40°C to +85°C | 28 Wide SO |
| MAX213EAI | -40°C to +85°C | 28 SSOP |

*Contact factory for dice specifications.

+5V, RS-232 Transceivers with 0.1µF External Capacitors

Package Information

(The package drawing(s) in this data sheet may not reflect the most current specifications. For the latest package outline information, go to www.maxim-ic.com/packages.)

| DIM | INCHES | | MILLIMETERS | |
|----------|----------------|---------------|---------------|---------------|
| | MIN | MAX | MIN | MAX |
| A | 0.068 | 0.078 | 1.73 | 1.99 |
| B | 0.010 | 0.015 | 0.25 | 0.38 |
| C | 0.004 | 0.008 | 0.09 | 0.20 |
| D | SEE VARIATIONS | | | |
| E | 0.205 | 0.212 | 5.20 | 5.38 |
| e | 0.0256 BSC | | 0.65 BSC | |
| H | 0.301 | 0.311 | 7.65 | 7.90 |
| L | 0.025 | 0.037 | 0.63 | 0.95 |
| α | 0 $^{\infty}$ | 8 $^{\infty}$ | 0 $^{\infty}$ | 8 $^{\infty}$ |

| D | INCHES | | MILLIMETERS | | N |
|---|--------|-------|-------------|-------|-----|
| | MIN | MAX | MIN | MAX | |
| D | 0.239 | 0.249 | 6.07 | 6.33 | 14L |
| D | 0.239 | 0.249 | 6.07 | 6.33 | 16L |
| D | 0.278 | 0.289 | 7.07 | 7.33 | 20L |
| D | 0.317 | 0.328 | 8.07 | 8.33 | 24L |
| D | 0.397 | 0.407 | 10.07 | 10.33 | 28L |

NOTES:
 1. D&E DO NOT INCLUDE MOLD FLASH.
 2. MOLD FLASH OR PROTRUSIONS NOT TO EXCEED .15 MM (.006").
 3. CONTROLLING DIMENSION: MILLIMETERS.
 4. MEETS JEDEC MO150.
 5. LEADS TO BE COPLANAR WITHIN 0.10 MM.

| | |
|---|------------------------------|
| | |
| PROPRIETARY INFORMATION TITLE: PACKAGE OUTLINE, SSOP, 5.3 MM | |
| APPROVAL: | DOCUMENT CONTROL NO. 21-0056 |
| REV. C | 1/1 |

Maxim cannot assume responsibility for use of any circuitry other than circuitry entirely embodied in a Maxim product. No circuit patent licenses are implied. Maxim reserves the right to change the circuitry and specifications without notice at any time.

20 _____ Maxim Integrated Products, 120 San Gabriel Drive, Sunnyvale, CA 94086 408-737-7600