

Data Sheet

RP015xxVBLC

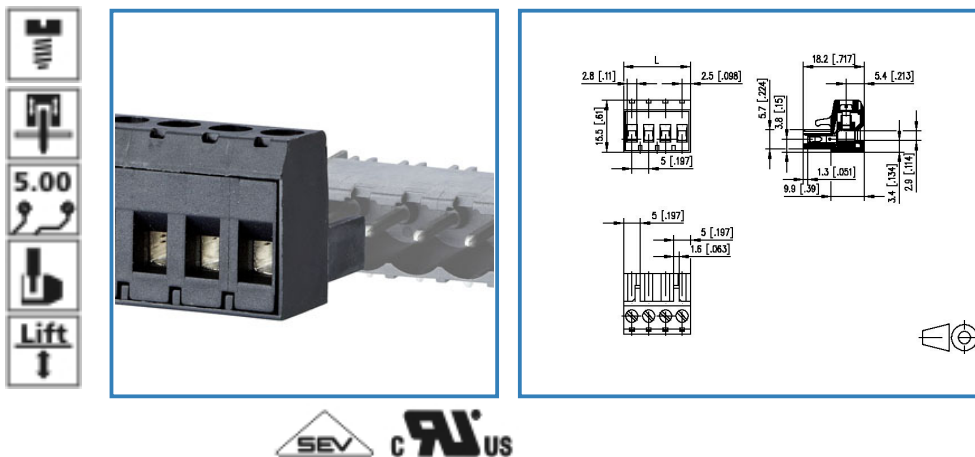
Page 1/4

P/N

313491xx

xx=number of poles

Illustration



see enlarged drawing at the end of the document

Product specification

- screw type terminal block, pluggable
- centerline 5.00 mm, direction of connection vertical 0°
- lift system, fittable without loss of poles
- color black
- wire entry codeable side perpendicular to plug direction
- Connection data

RIA US V / A / AWG 300 / 16 / 28 - 12

SEV 0.08 - 2.5mm² 320 V / 4 kV / 13.5 A

Data Sheet



RP015xxVBLC

Technical Data

General Data

Tightening torque SEV	0.5 Nm		
Tightening torque UL	4.5 lb-in		
min. number of poles	2		
max. number of poles	24		
Insulating material class	CTI 600		
clearance/creepage dist.	3.6 mm		
protection category	IP 20		
Overvoltage category	III	III	II
Pollution degree	3	2	2
Rated voltage	250 V	630 V	630 V
Rated test voltage	2.5 kV	6 kV	4 kV

Connection data

 V / A / AWG	300 / 16 / 28 - 12
 0.08 - 2.5mm ²	320 V / 4 kV / 13.5 A

Material

insulating material	PA66
flammability class	V0
terminal body material	CuZn
terminal body surface	Ni
screw surface	Zn Cr(VI)-frei/free
screw thread	M3

Climatic properties

upper limit temperature	105 °C
lower limit temperature	-40 °C

General

Tolerance	ISO 2768 -mH
-----------	--------------

Data Sheet

RP015xxVBLC

Page 3/4

P/N

313491xx

xx=number of poles

Matching Part

P/N	Product name
311761	Type 176
314761	Typ 476
313381	Typ 338
313371	Typ 337
313301	Type 330
313291	Type 329
313201	Type 320
313191	Type 319
312801	Type 280
312781	Type 278
312761	Type 276
312741	Type 274
312701	Type 270
311771	Type 177
314771	Typ 477

Accessories

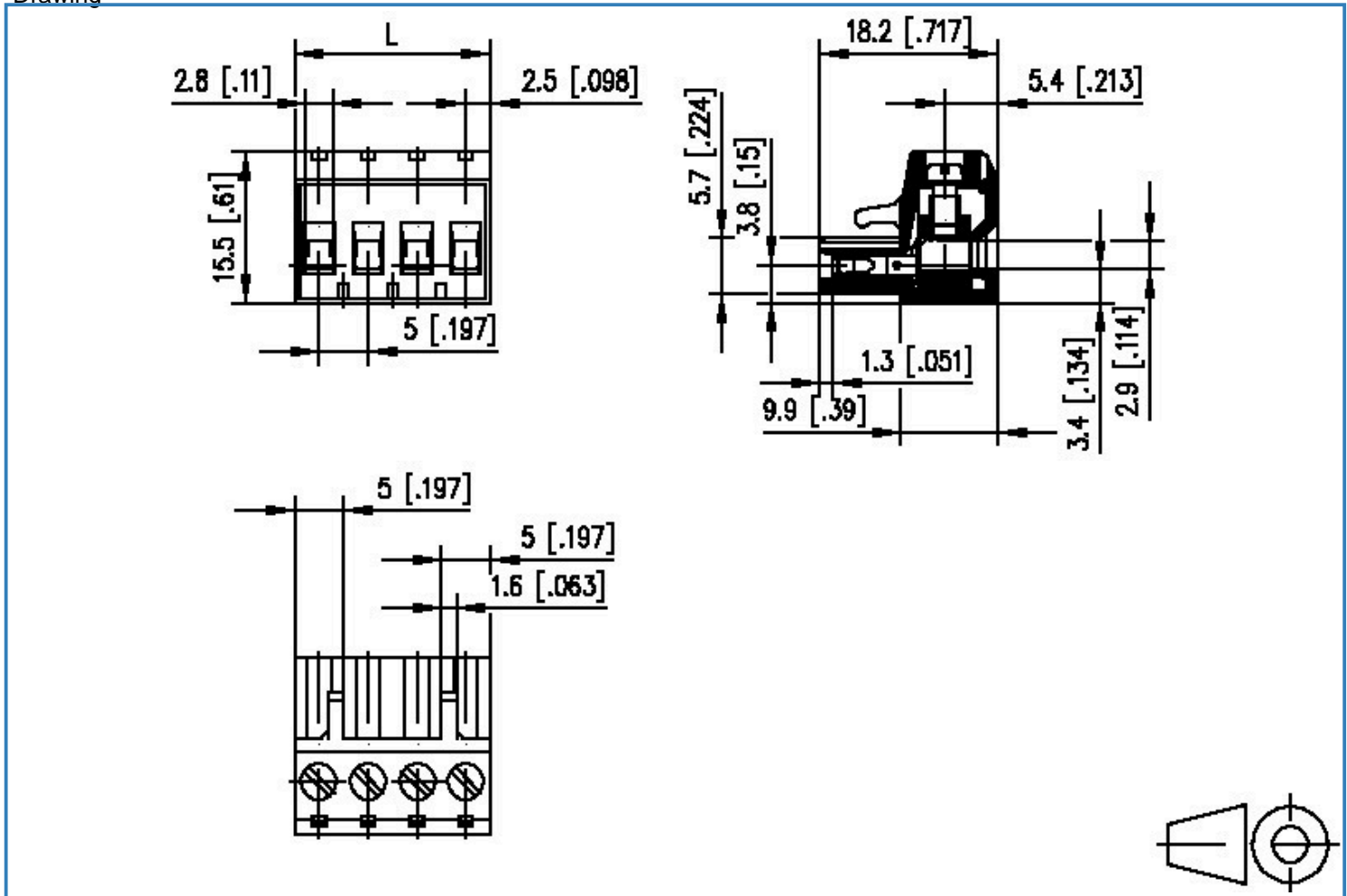
P/N	Product name
700025-01-9	Kodierstern weiß

Data Sheet

RP015xxVBLC

Illustration

Drawing



$L = (\text{pole size} - 1) \times \text{centerline} + 5 [0.197]$