


Helping Customers Innovate, Improve &amp; Grow


**VT-820**

### Description

Vectron's VT-820 Temperature Compensated Crystal Oscillator (TCXO) is a quartz stabilized, clipped sine wave output, analog temperature compensated oscillator, operating off either 1.8, 2.8, 3.0 or 3.3 volt supply in a hermetically sealed 3.2x2.5mm ceramic package.

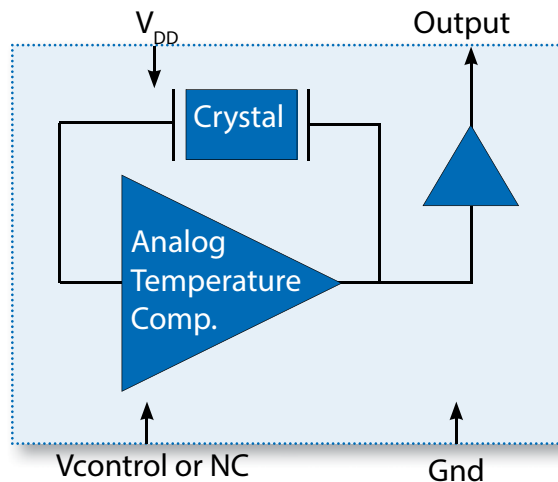
### Features

- **±0.5ppm Temperature Stability**
- Clipped Sine Wave Output
- Output Frequencies to 45 MHz
- Fundamental Crystal Design
- Optional VCXO Function available
- Hermetically Sealed Ceramic SMD package
- Product is compliant to RoHS directive  and fully compatible with lead free assembly

### Applications

- GPS
- WiMAX, Wi-Fi, Wi-LAN
- Seismic Exploration
- Wireless Communications
- Base Stations
- Point to point radios
- Broadband Access
- Test Equipment
- Handsets

### Block Diagram



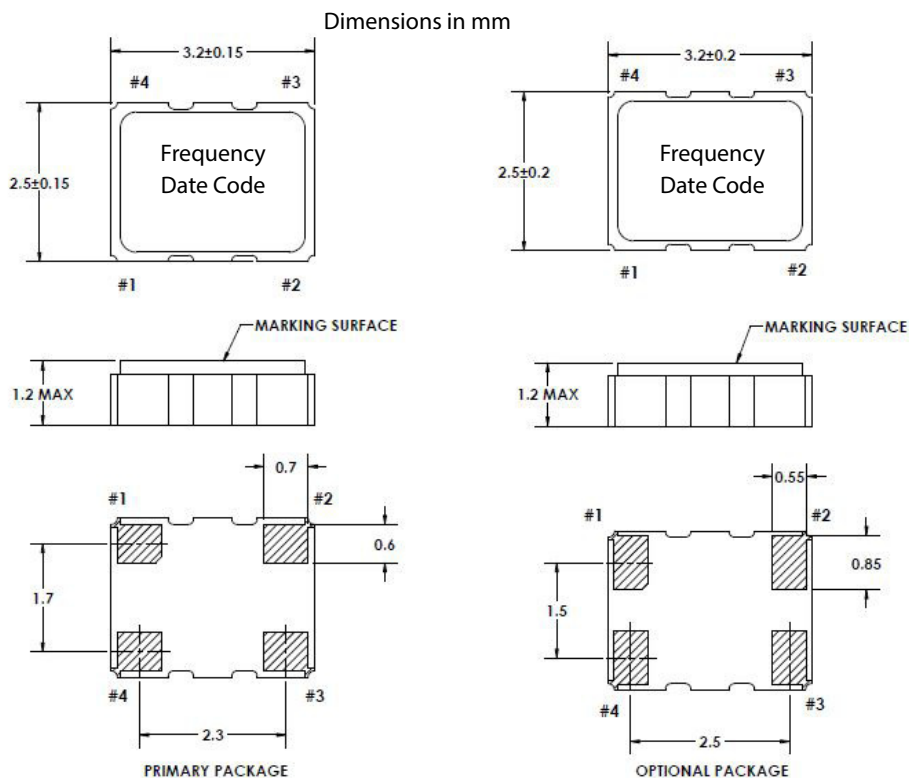
# Specifications

**Table 1. Electrical Performance**

Parameter	Symbol	Min.	Typ	Max	Units
Output Frequency	$f_o$	8		45	MHz
Supply Voltage, <sup>1</sup> (Ordering Option)	$V_{DD}$	+1.8, 2.8, +3.0 or +3.3			V
Supply Current, 8 to 19.999MHz 20.000 to 31.999MHz 32.000 to 45.000MHz	$I_{DD}$			1.5 2.0 2.5	mA
Operating Temperature, (Ordering Option)	$T_{OP}$	0/55, -10/60, -20/70, -30/80, -30/85, -40/85			°C
Stability Over $T_{OP}$ , (Ordering Option)		$\pm 0.5, \pm 1.0, \pm 1.5, \pm 2.0, \pm 2.5, \pm 3.0, \pm 3.5, \pm 4.0, \pm 5.0$			ppm
Initial Accuracy <sup>2</sup> , "No Adjust" Option				$\pm 1.0$	ppm
Power Supply Stability, $\pm 5\%$ change				$\pm 0.2$	ppm
Load Stability				$\pm 0.2$	ppm
Aging				$\pm 1.0$	ppm/yr
Pull Range, (Ordering Option)	TPR	$\pm 5, \pm 8, \pm 10, \pm 12, \pm 15$			ppm
Control Voltage to reach Pull Range 1.8V option		0.5 0.3		2.5 1.5	V V
Control Voltage Impedance		500			Kohm
Output Level <sup>3</sup>	$V_o$ p/p	0.8			V
Output Load				10K    10pF	
Phase Noise, 10.000MHz 10Hz 100Hz 1kHz 10kHz 100kHz			-91 -116 -137 -149 -150		dBc/Hz
Start Up Time				2	ms

1. The VT-820 power supply pin should be filtered, eg, a 0.1 and 0.01 uF capacitor.
2. Initial Accuracy is before IR reflow. Allow another 1 ppm shift through 2 reflows and 24 hours.
3. The Output is DC coupled.

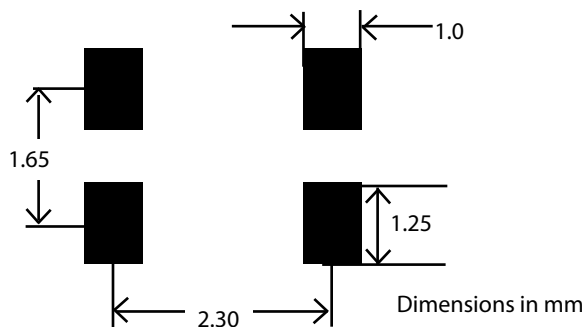
## Outline Drawing



## Pinout and Recommended Pad Layout

**Table 2. Pinout**

Pin #	Symbol	Function
1	$V_C$	TCXO Control Voltage or Ground
2	GND	Electrical and Lid Ground
3	$f_o$	Output Frequency
4	$V_{DD}$	Supply Voltage



## VCXO Function

**VCXO Feature:** The VT-820 can be ordered with a VCXO function for applications where it will be used in a PLL, or the output frequency needs fine tune or calibration adjustments. This is a high impedance input, 500KMohm, and can be driven with an op-amp or terminated with adjustable resistors etc. **Pin 1 should not be left floating on the VCXO optional device.**

**“No Adjust” Option:** In applications where the VT-820 will not be used in a PLL, or the output frequency does not need fine tune adjustments, the best device to use would be a VT-820-xxx-xxx0. By using the “no adjust” option, the circuit is simplified as  $V_C$  does not need to be adjusted or set to a predetermined voltage and pin 1 should be grounded (pin 1 can be left open but should not be set to a voltage such as an RF signal or power supply voltage).

## Maximum Ratings

### Absolute Maximum Ratings and Handling Precautions

Stresses in excess of the absolute maximum ratings can permanently damage the device. Functional operation is not implied or any other excess of conditions represented in the operational sections of this data sheet. Exposure to absolute maximum ratings for extended periods may adversely affect device reliability.

Although ESD protection circuitry has been designed into the VT-820, proper precautions should be taken when handling and mounting, VI employs a Human Body Model and Charged Device Model for ESD susceptibility testing and design evaluation.

ESD thresholds are dependent on the circuit parameters used to define the model. Although no industry standard has been adopted for the CDM a standard resistance of 1.5kOhms and capacitance of 100pF is widely used and therefore can be used for comparison purposes.

**Table 3. Maximum Ratings**

Parameter	Symbol	Rating	Unit
Storage Temperature	$T_{STORE}$	-40/85	°C
Supply Voltage	$V_{DD}$	6	V
Control Voltage	$V_C$	0/ $V_{DD}$	V
ESD, Human Body Model		1000	V
ESD, Charged Device Model		1000	V

**Table 4. Environmental Compliance**

Parameter	Condition
Mechanical Shock	MIL-STD-883 Method 2002
Mechanical Vibration	MIL-STD-883 Method 2007
Temperature Cycle	MIL-STD-883 Method 1010
Solderability	MIL-STD-883 Method 2003
Fine and Gross Leak	MIL-STD-883 Method 1014
Resistance to Solvents	MIL-STD-883 Method 2015
Moisture Sensitivity Level	MSL1
Contact Pads	Gold over Nickel

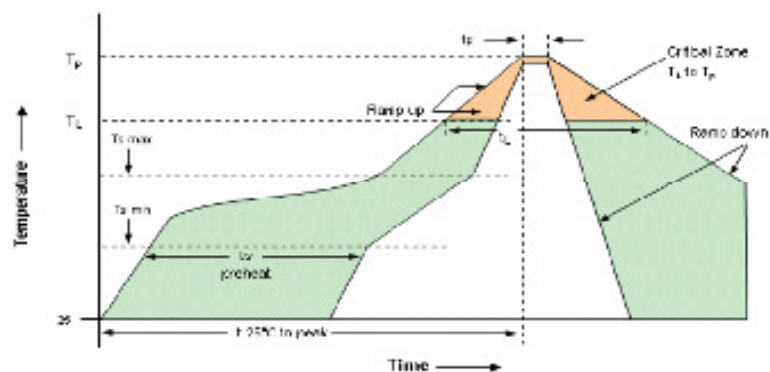
## IR Compliance

### Suggested IR Profile

Devices are built using lead free epoxy and can be subjected to standard lead free IR reflow conditions shown in Table 5. Contact pads are gold over nickel and lower maximum temperatures can also be used, such as 220C.

Parameter	Symbol	Value
PreHeat Time	$t_s$	200 sec Max
Ramp Up	$R_{UP}$	3°C/sec Max
Time above 217°C	$t_L$	150 sec Max
Time to Peak Temperature	$t_{AMB-P}$	480 sec Max
Time at 260°C	$t_P$	30 sec Max
Time at 240°C	$t_{P2}$	60 sec Max
Ramp down	$R_{DN}$	6°C/sec Max

Solderprofile:



## Tape & Reel

Table 6. Tape and Reel Information

Tape Dimensions (mm)					Reel Dimensions (mm)							
W	F	Do	Po	P1	A	B	C	D	N	W1	W2	#/Reel
18	1.75	1.55	4	4	178	2.5	13	22	60	11.5	15	1000

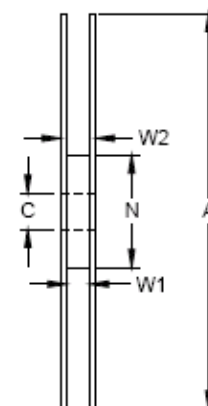
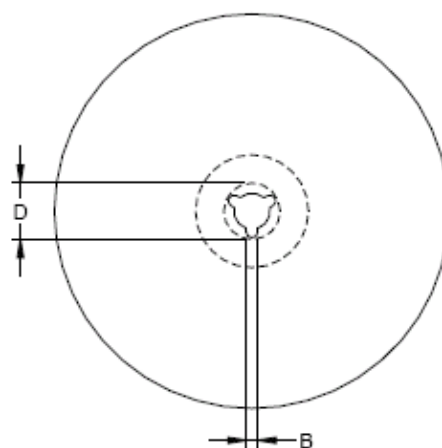
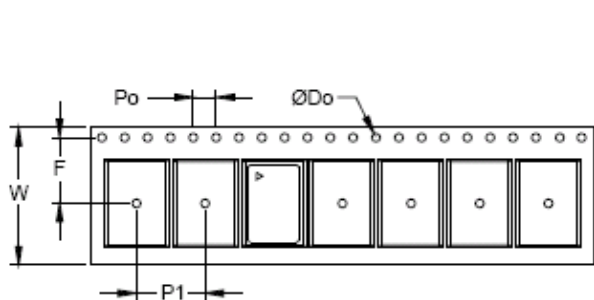
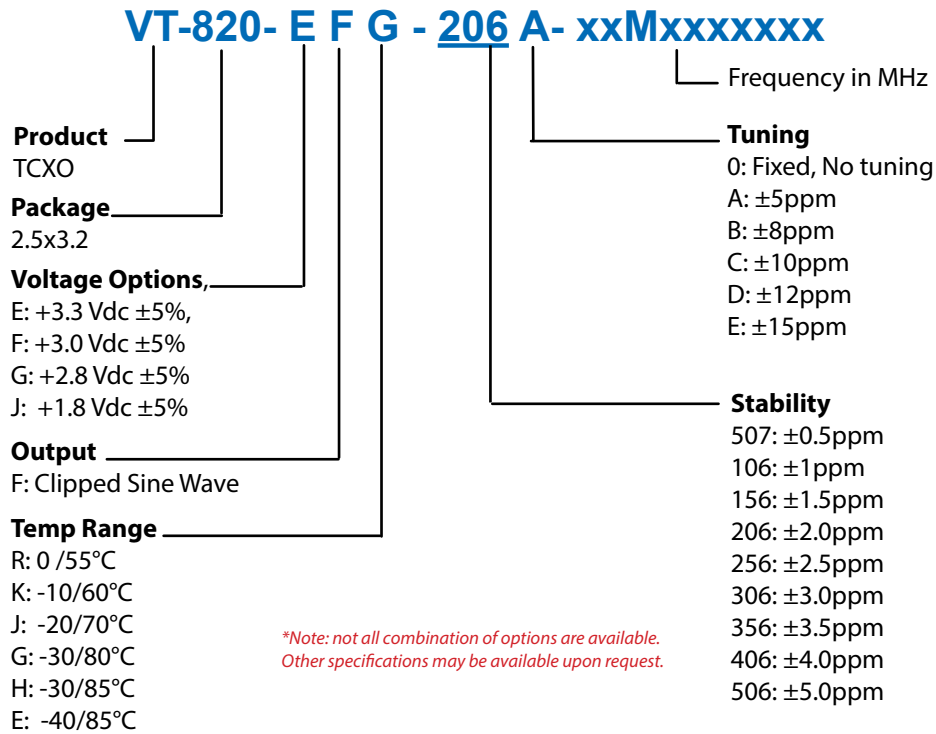


Table 7. Standard Frequencies (MHz)

8.1920	10.000	10.250	12.000	12.800	13.000	13.568	14.000	14.7456	15.360
15.000	16.000	16.3670	16.366667	16.367667	16.367673	16.368	16.369	16.736	16.800
19.200	19.392658	19.440	19.6608	19.680	20.000	20.7360	22.000	23.104	24.5535
25.000	26.000	27.000	27.4560	30.150	30.400	30.720	31.7967590	37.800	38.400
39.000	40.000	41.4720	45.000						

## Ordering Information



**Example: VT-820-EFG-206A-19M200000**

\* Add **\_SNPBDIP** for tin lead solder dip

Example: VT-820\_EFG-206A-19M200000\_SNPBDIP

Revision Date	Description
10/21/2009	Add J=1.8V option, Vc=0.3 1.6V for 1.5Voption in table 1
8/08/2013	Removed 6pd package version (non-standard). Added two 4-pd package versions.
10/29/2013	Updated VI Asia Contact Information
02/11/2014	Updated new Vectron Logo and Hudson Address
01/17/2017	Updated IR Reflow Profile
08/10/2018	Update logo and contact information, optimize pad layout, add "SNPBDIP" ordering option



**Microsemi Headquarters**  
 One Enterprise, Aliso Viejo, CA 92656 USA  
 Within the USA: +1 (800) 713-4113  
 Outside the USA: +1 (949) 380-6100  
 Sales: +1 (949) 380-6136  
 Fax: +1 (949) 215-4996  
 email: sales.support@microsemi.com  
 www.microsemi.com

Microsemi, a wholly owned subsidiary of Microchip Technology Inc. (Nasdaq: MCHP), offers a comprehensive portfolio of semiconductor and system solutions for aerospace & defense, communications, data center and industrial markets. Products include high-performance and radiation-hardened analog mixed-signal integrated circuits, FPGAs, SoCs and ASICs; power management products; timing and synchronization devices and precise time solutions, setting the world's standard for time; voice processing devices; RF solutions; discrete components; enterprise storage and communication solutions, security technologies and scalable anti-tamper products; Ethernet solutions; Power-over-Ethernet ICs and midspans; as well as custom design capabilities and services. Learn more at [www.microsemi.com](http://www.microsemi.com).

Microsemi makes no warranty, representation, or guarantee regarding the information contained herein or the suitability of its products and services for any particular purpose, nor does Microsemi assume any liability whatsoever arising out of the application or use of any product or circuit. The products sold hereunder and any other products sold by Microsemi have been subject to limited testing and should not be used in conjunction with mission-critical equipment or applications. Any performance specifications are believed to be reliable but are not verified, and Buyer must conduct and complete all performance and other testing of the products, alone and together with, or installed in, any end-products. Buyer shall not rely on any data and performance specifications or parameters provided by Microsemi. It is the Buyer's responsibility to independently determine suitability of any products and to test and verify the same. The information provided by Microsemi hereunder is provided "as is, where is" and with all faults, and the entire risk associated with such information is entirely with the Buyer. Microsemi does not grant, explicitly or implicitly, to any party any patent rights, licenses, or any other IP rights, whether with regard to such information itself or anything described by such information. Information provided in this document is proprietary to Microsemi, and Microsemi reserves the right to make any changes to the information in this document or to any products and services at any time without notice.

©2018 Microsemi, a wholly owned subsidiary of Microchip Technology Inc. All rights reserved. Microsemi and the Microsemi logo are registered trademarks of Microsemi Corporation. All other trademarks and service marks are the property of their respective owners.