

PLEASE CHECK WWW.MOLEX.COM FOR LATEST PART INFORMATION

Part Number: **0743204000**
Status: **Active**
Overview: MicroCross DVI Connectors and Cable Assemblies
Description: MicroCross DVI-D Digital Visual Interface, PCB Receptacle, Panel Mount, Polyester (PCT), Through Hole, 2.34mm PC Tail Length, Right-Angle, 0.76µm Gold (Au), Lead-Free, Screw Hole, 24 Circuits

Documents:

3D Model	Packaging Specification PK-74320-010 (PDF)
Drawing (PDF)	Test Summary TS-74320-001 (PDF)
3D Model (PDF)	RoHS Certificate of Compliance (PDF)
Product Specification PS-74320-001 (PDF)	

Agency Certification

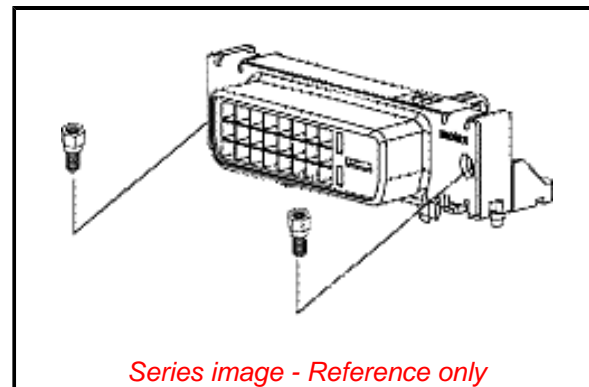
UL E29179

General

Product Family	I/O Connectors
Series	<u>74320</u>
Application	Wire-to-Board
Comments	DDWG (Digital Display Working Group) Standard
Component Type	Receptacle
Electrical Model	Yes
Overview	<u>MicroCross DVI Connectors and Cable Assemblies</u>
Product Name	MicroCross DVI
Type	N/A
UPC	800754009980

Physical

Boot Color	N/A
Circuits (Loaded)	24
Circuits (maximum)	24
Color - Resin	Natural
Durability (mating cycles max)	100
Flammability	94V-0
Gender	Receptacle
Keying to Mating Part	Yes
Lock to Mating Part	Yes
Material - Metal	Copper Alloy
Material - Plating Mating	Gold
Material - Plating Termination	Tin
Net Weight	6.630/g
Number of Rows	3
Orientation	Right Angle
PC Tail Length	2.34mm
PCB Locator	Yes
PCB Retention	Yes
Packaging Type	Tray
Panel Mount	Yes
Pitch - Mating Interface	1.90mm
Pitch - Termination Interface	1.90mm
Plating min - Mating	0.762µm
Plating min - Termination	2.540µm
Polarized to Mating Part	Yes
Polarized to PCB	Yes
Ports	1
Surface Mount Compatible (SMC)	No



Series image - Reference only

EU ELV

Not Relevant

EU RoHS

Compliant

REACH SVHC

Not Contained Per -
ECHA_01_2020 (16
January 2020

Halogen-Free

Status

Low-Halogen

For more information, please visit [Contact US](#)

China ROHS

ELV

RoHS Phthalates

China RoHS

Green Image

Not Relevant

Not Contained

Search Parts in this Series

74320 Series

Mates With

88744 , 74323

Use With

Hex Screw Kit 717811000 or 717812000

Temperature Range - Operating	-20° to +85°C
Termination Interface: Style	Through Hole
Waterproof / Dustproof	No
Wire Size AWG	N/A

Electrical

Current - Maximum per Contact	3.0A
Grounding to Panel	Yes
Shield Type	Full Shield
Shielded	Yes
Voltage - Maximum	40V AC (RMS)

Solder Process Data

Duration at Max. Process Temperature (seconds)	010
Lead-free Process Capability	WAVE
Max. Cycles at Max. Process Temperature	001
Process Temperature max. C	260

Material Info**Reference - Drawing Numbers**

Electrical Model Document	EE-74320-001
Packaging Specification	PK-74320-010
Product Specification	PS-74320-001
S-Parameter Model	SP-74320-001
Sales Drawing	SD-74320-003-000
Test Summary	TS-74320-001

This document was generated on 03/03/2020

PLEASE CHECK WWW.MOLEX.COM FOR LATEST PART INFORMATION