

# BLM31AJ601SH1#

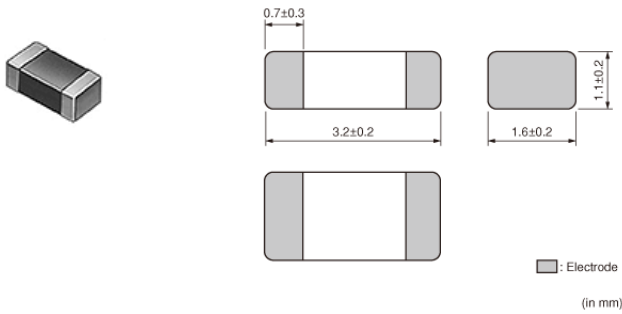
“#” indicates a package specification code.



< List of part numbers with package codes >

BLM31AJ601SH1K BLM31AJ601SH1B BLM31AJ601SH1L

## Appearance & Shape



## Features

The chip ferrite beads BLM series is designed to function nearly as a resistor at noise frequencies, which greatly reduces the possibility of resonance and leaves signal wave forms undistorted.

BLM series is effective in circuits without stable ground lines because BLM series does not need a connection to ground.

The nickel barrier structure of the external electrodes provides excellent solder heat resistance. BLM\_Aseries generates an impedance from the relatively low frequencies. Therefore BLM\_Aseries is effective in noise suppression in a wide frequency range (30MHz to several hundred MHz).

Because of newly developed ferrite material, BLM15AX has been realized lower DC resistance and larger rated current than BLM15AG series. In addition, its performance change by stresses like heat shock is less than other ferrite beads. So, the noise suppression performance becomes stable.

## Applications

|                  |                   |
|------------------|-------------------|
| Automotive Usage | Powertrain/Safety |
|------------------|-------------------|

## Packaging Information

| Packaging | Specifications      | Minimum Order Quantity |
|-----------|---------------------|------------------------|
| K         | 330mm Embossed Tape | 10000                  |
| B         | Bulk(Bag)           | 1000                   |
| L         | 180mm Embossed Tape | 3000                   |

### Attention

1.This datasheet is downloaded from the website of Murata Manufacturing Co., Ltd. Therefore, it's specifications are subject to change or our products in it may be discontinued without advance notice. Please check with our sales representatives or product engineers before ordering.

2.This datasheet has only typical specifications because there is no space for detailed specifications.

Therefore, please review our product specifications or consult the approval sheet for product specifications before ordering.

# BLM31AJ601SH1#

“#” indicates a package specification code.



## Specifications

|                                 |                |
|---------------------------------|----------------|
| Shape                           | SMD            |
| Size Code (in mm)               | 3216           |
| Size Code (in inch)             | 1206           |
| Length                          | 3.2mm          |
| Length Tolerance                | ±0.2mm         |
| Width                           | 1.6mm          |
| Width Tolerance                 | ±0.2mm         |
| Thickness                       | 1.1mm          |
| Thickness Tolerance             | ±0.2mm         |
| Impedance (at 100MHz)           | 600Ω           |
| Impedance (at 100MHz) Tolerance | ±25%           |
| Rated Current (at 85°C)         | 200mA          |
| Rated Current (at 125°C)        | 200mA          |
| DC Resistance(max.)             | 0.9Ω           |
| Operating Temperature Range     | -55°C to 125°C |
| Mass(typ.)                      | 0.025g         |
| Number of Circuit               | 1              |

### Attention

1.This datasheet is downloaded from the website of Murata Manufacturing Co., Ltd. Therefore, it's specifications are subject to change or our products in it may be discontinued without advance notice. Please check with our sales representatives or product engineers before ordering.

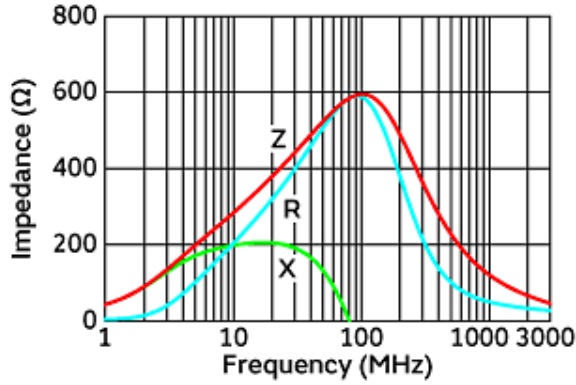
2.This datasheet has only typical specifications because there is no space for detailed specifications.

Therefore, please review our product specifications or consult the approval sheet for product specifications before ordering.

# BLM31AJ601SH1#

“#” indicates a package specification code.

## Product Data



Impedance-Frequency Characteristics



Equivalent Circuit

**Attention**

- 1.This datasheet is downloaded from the website of Murata Manufacturing Co., Ltd. Therefore, it's specifications are subject to change or our products in it may be discontinued without advance notice. Please check with our sales representatives or product engineers before ordering.
- 2.This datasheet has only typical specifications because there is no space for detailed specifications. Therefore, please review our product specifications or consult the approval sheet for product specifications before ordering.