

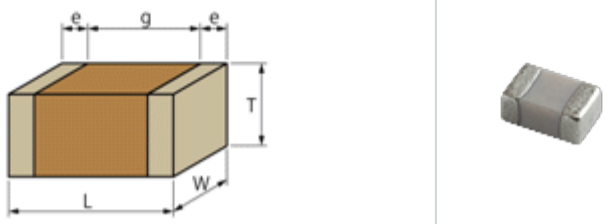
GQM22M5C2H4R0CB01#

"#" indicates a package specification code.

Recommended   

< List of part numbers with package codes >
 GQM22M5C2H4R0CB01L , GQM22M5C2H4R0CB01K , GQM22M5C2H4R0CB01B

Shape

	
L size	2.8 ± 0.5mm
W size	2.8 ± 0.4mm
T size	1.15 ± 0.2mm
External terminal width e	0.3mm min.
Distance between external terminals g (Min.)	1.0mm
Size code in mm(inch)	2828 (1111)

References

Packaging	Specifications	Minimum quantity
L	Embossed tape (180mm)	1000
K	Embossed tape (330mm)	4000
B	Packing in bulk	1000

Mass (typ.)	
1 piece	40.9mg
Reel (180mm)	73g

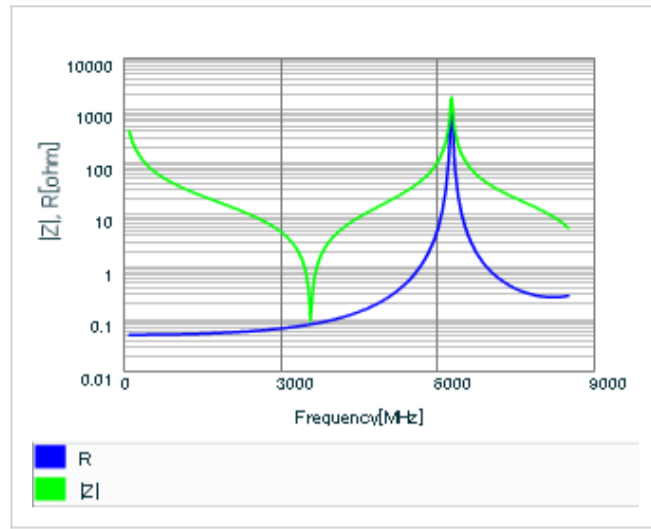
Specifications

Capacitance	4.0pF ± 0.25pF
Rated voltage	500Vdc
Temperature characteristics (complied standard)	COG(EIA)
Temperature coefficient	0 ± 30ppm/
Temperature range of temperature characteristics	25 to 125
Operating temperature range	-55 to 125

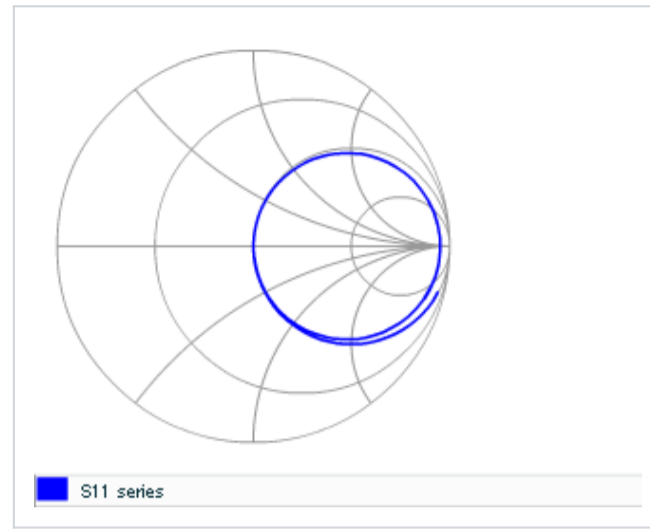
Attention

- 1.This datasheet is downloaded from the website of Murata Manufacturing Co., Ltd. Therefore, it ' s specifications are subject to change or our products in it may be discontinued without advance notice. Please check with our sales representatives or product engineers before ordering.
- 2.This datasheet has only typical specifications because there is no space for detailed specifications. Therefore, please review our product specifications or consult the approval sheet for product specifications before ordering.

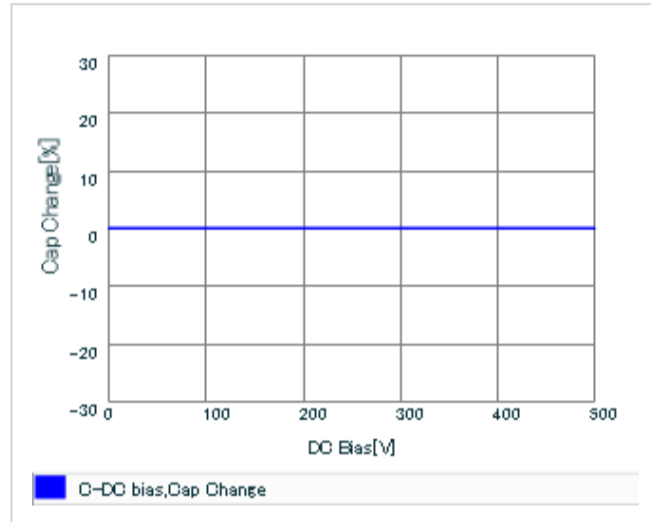
▪ Frequency characteristics (ESR, Impedance)



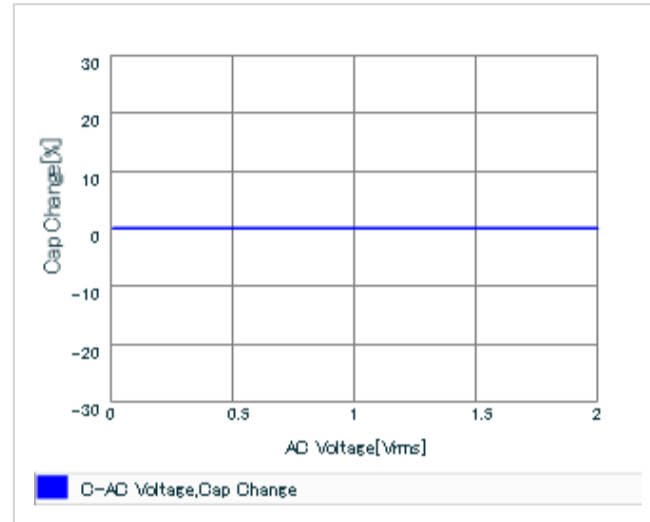
▪ S parameter (Smith chart S11)



▪ DC bias characteristics



▪ AC voltage characteristics



▪ Capacitance - temperature characteristics

