

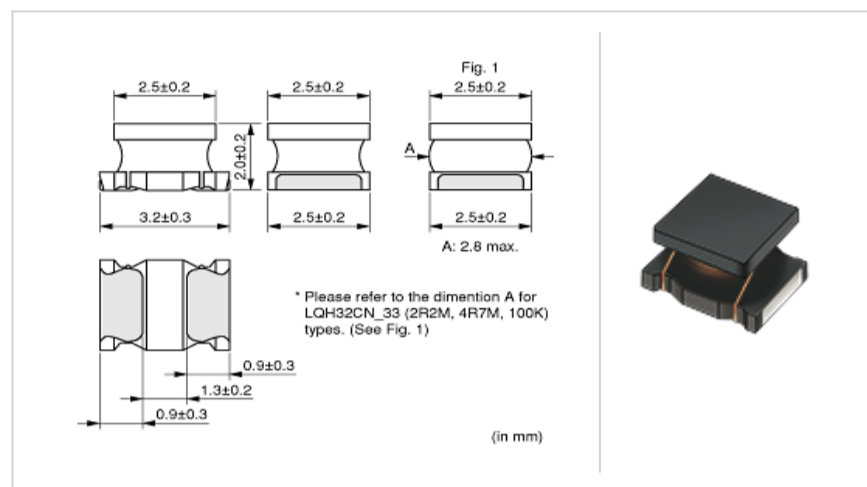
LQH32MN220J23#

" # " indicates a package specification code.



< List of part numbers with package codes >
LQH32MN220J23L , LQH32MN220J23K

Shape



L size	3.2 ± 0.3mm
W size	2.5 ± 0.2mm
T size	2.0 ± 0.2mm
Size code mm (inch)	3225 (1210)

Specifications

Inductance	22μH ± 5%
Inductance test frequency	1MHz
Rated current (Itemp) (Based on Temperature rise)	150mA
Max. of DC resistance	2.8
Q (min.)	35
Q test frequency	1MHz
Self resonance frequency (min.)	14MHz
Operating temperature range (Self-temperature rise is not included)	-40 ~ +85
Class of magnetic shield	No magnetic shield

References

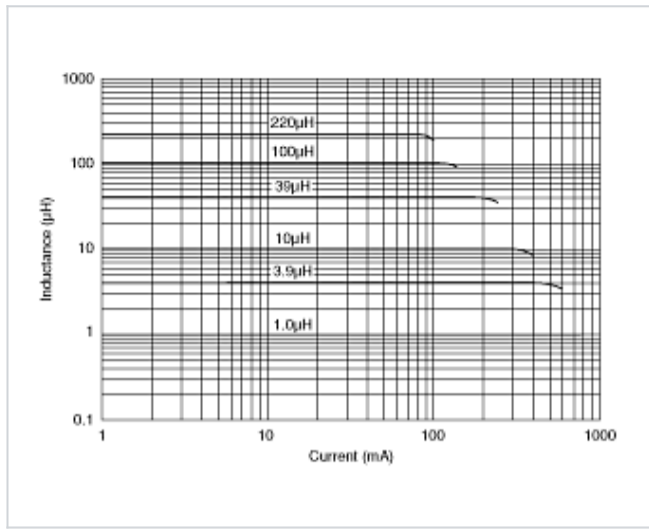
Packaging code	Specifications	Minimum quantity
L	Embossed tape (180mm)	2000
K	Embossed tape (330mm)	7500

Mass (Typ.)	
1 piece	0.060g

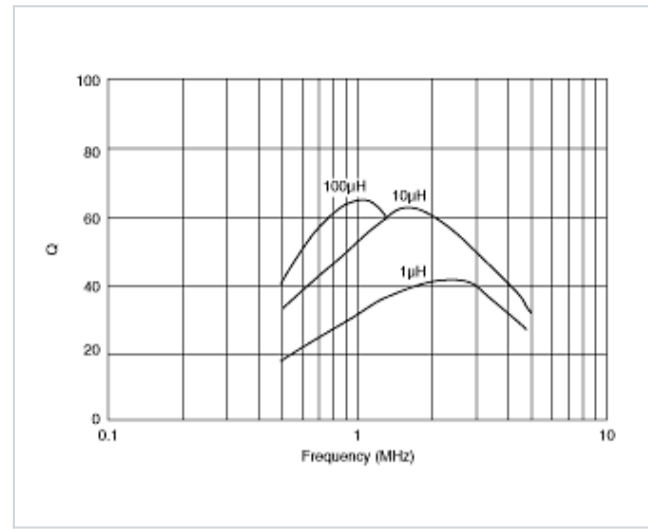
⚠ Attention

- 1.This datasheet is downloaded from the website of Murata Manufacturing Co., Ltd. Therefore, it ' s specifications are subject to change or our products in it may be discontinued without advance notice. Please check with our sales representatives or product engineers before ordering.
- 2.This datasheet has only typical specifications because there is no space for detailed specifications. Therefore, please review our product specifications or consult the approval sheet for product specifications before ordering.

▪ Inductance-Current characteristics (Typ.)



▪ Q-Frequency characteristics (Typ.)



This PDF data has only typical specifications because there is no space for detailed specifications.

Therefore, please review our product specifications or consult the approval sheet for product specifications before ordering.