

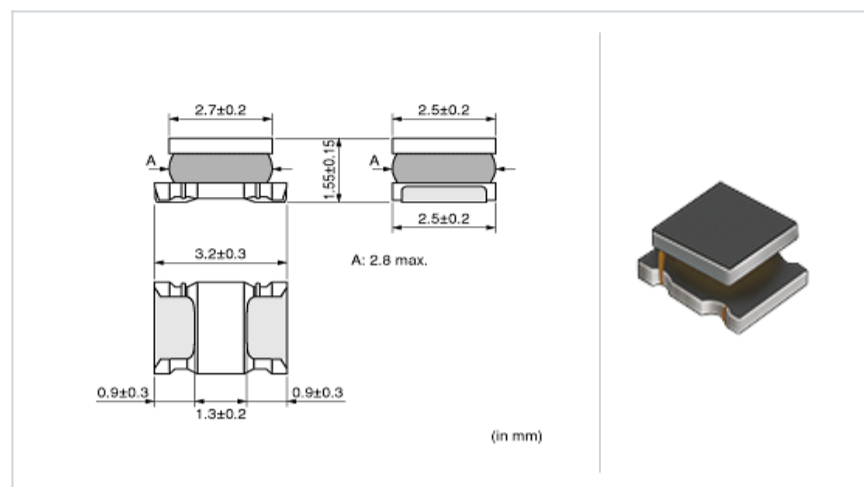
LQH32PN101MN0#

" # " indicates a package specification code.



< List of part numbers with package codes >
LQH32PN101MN0L , LQH32PN101MN0K

Shape



L size	3.2 ± 0.3mm
W size	2.5 ± 0.2mm
T size	1.55 ± 0.15mm
Size code mm (inch)	3225 (1210)

References

Packaging code	Specifications	Minimum quantity
L	Embossed tape (180mm)	2000
K	Embossed tape (330mm)	7500

Mass (Typ.)	
1 piece	0.044g

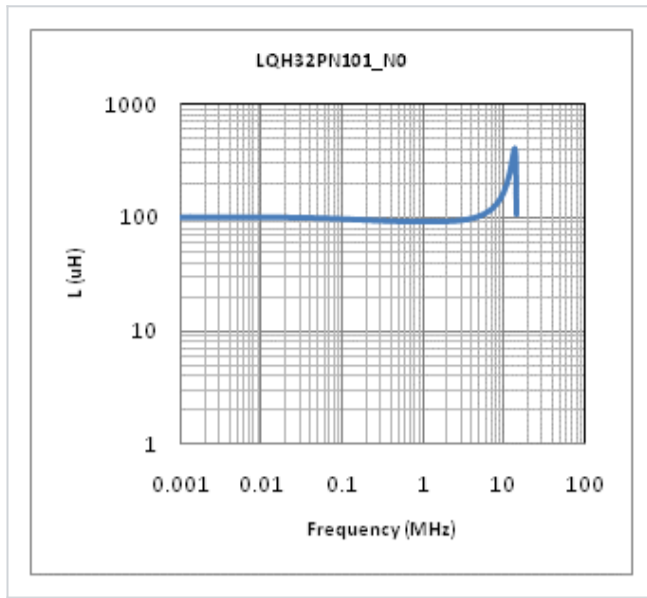
Specifications

Inductance	100μH ± 20%
Inductance test frequency	1MHz
Rated current (Isat) (Based on Inductance change)	180mA
Rated current (Itemp) (Based on Temperature rise)	250mA
Max. of DC resistance	3.24
Avg. of DC resistance	2.70 ± 20%
Self resonance frequency (min.)	8MHz
Operating temperature range (Self-temperature rise is included)	-40 ~ +125
Operating temperature range (Self-temperature rise is not included)	-40 ~ +85
Class of magnetic shield	Magnetic shield of magnetic powder in resin

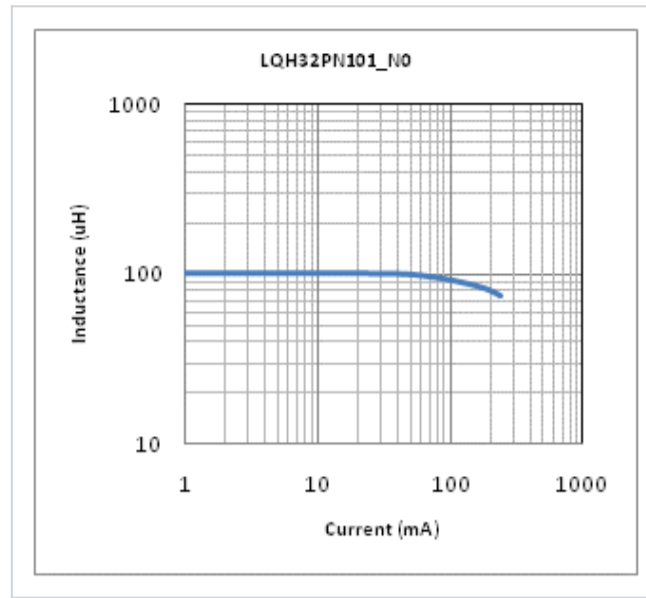
⚠ Attention

- 1.This datasheet is downloaded from the website of Murata Manufacturing Co., Ltd. Therefore, it ' s specifications are subject to change or our products in it may be discontinued without advance notice. Please check with our sales representatives or product engineers before ordering.
- 2.This datasheet has only typical specifications because there is no space for detailed specifications. Therefore, please review our product specifications or consult the approval sheet for product specifications before ordering.

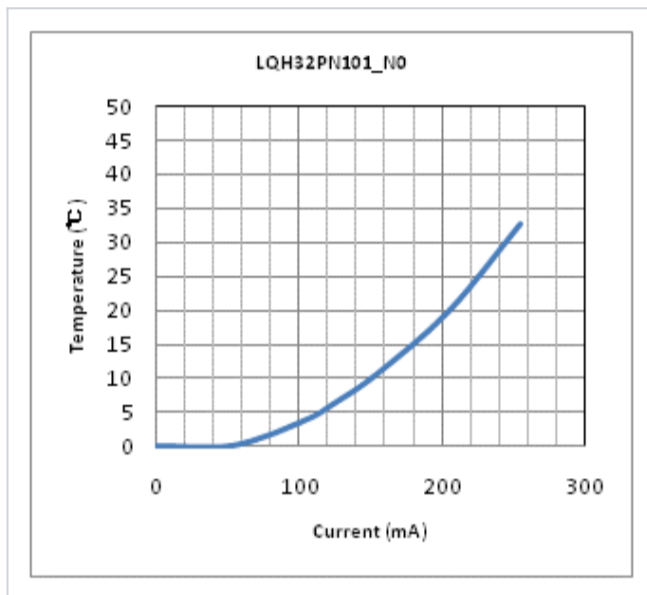
▪ Inductance-Frequency characteristics (Typ.)



▪ Inductance-Current characteristics (Typ.)



▪ Temperature rise characteristics (Typ.)



This PDF data has only typical specifications because there is no space for detailed specifications. Therefore, please review our product specifications or consult the approval sheet for product specifications before ordering.