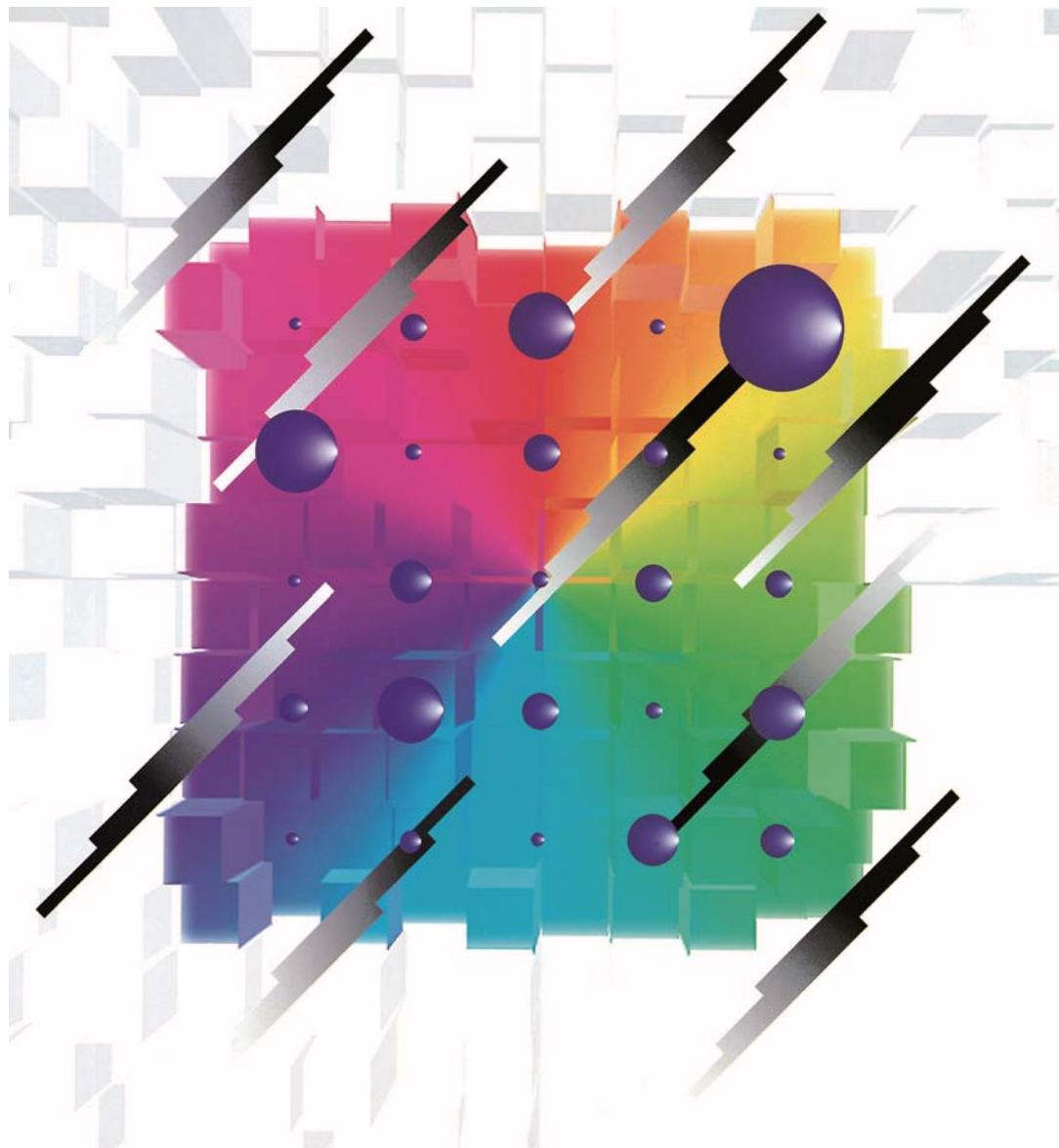


### Aluminum Electrolytic Capacitors

Radial lead type



## Notices

### ■ Applicable Laws and Regulations

- This product complies with the RoHS Directive (Restriction of the use of certain Hazardous substances in electrical and electronic equipment (DIRECTIVE 2011/65/EU).
- No Ozone Depleting Chemicals(ODC's), controlled under the Montreal Protocol Agreement, are used in producing this product.
- We do not PBBs or PBDEs as brominated flame retardants.
- Export procedure which followed export related regulations, such as foreign exchange and a foreign trade method, on the occasion of export of this product Thank you for your consideration.

### ■ Limited applications

- This capacitor is designed to be used for electronics circuits such as audio/visual equipment, home appliances, computers and other office equipment, optical equipment, measuring equipment.
- High reliability and safety are required [ be / a possibility that incorrect operation of this product may do harm to a human life or property ] more. When use is considered by the use, the delivery specifications which suited the use separately need to be exchanged.

## Items to be observed

- This specification guarantees the quality and performance of the product as individual components. Before use, check and evaluate their compatibility with installed in your products.
- Do not use the products beyond the specifications described in this document.

### ■ For specifications

- Install the following systems for a failsafe design to ensure safety if these products are to be used in equipment where a defect in these products may cause the loss of human life or other signification damage, such as damage to vehicles (automobile, train, vessel), traffic lights, medical equipment, aerospace equipment, electric heating appliances, combustion/ gas equipment, rotating rotating equipment, and disaster/crime prevention equipment.
  - The system is equipped with a protection circuit and protection device.
  - The system is equipped with a redundant circuit or other system to prevent an unsafe status in the event of a single fault.

### ■ Conditions of use

- Before using the products, carefully check the effects on their quality and performance, and determined whether or not they can be used. These products are designed and manufactured for general-purpose and standard use in general electronic equipment. These products are not intended for use in the following special conditions.
  - (1) In liquid, such as Water, Oil, Chemicals, or Organic solvent.
  - (2) In direct sunlight, outdoors, or in dust.
  - (3) In vapor, such as dew condensation water of resistive element, or water leakage, salty air, or air with a high concentration corrosive gas, such as Cl<sub>2</sub>, H<sub>2</sub>S, NH<sub>3</sub>, SO<sub>2</sub>, or NO<sub>x</sub>.
  - (4) In an environment where strong static electricity or electromagnetic waves exist.
  - (5) Mounting or placing heat-generating components or inflammables, such as vinyl-coated wires, near these products.
  - (6) Sealing or coating of these products or a printed circuit board on which these products are mounted, with resin and other material.
  - (7) Using solvent, water or water-soluble cleaner for flux cleaning agent after soldering. (In particular, when using water or a water-soluble cleaning agent, be careful not to leave water residues)
  - (8) Using in the atmosphere which strays Acid or alkaline.
  - (9) Using in the atmosphere which there are excessive vibration and shock.
- Please arrange circuit design for preventing impulse or transitional voltage. Do not apply voltage, which exceeds the full rated voltage when the capacitors receive impulse voltage, instantaneous high voltage, high pulse voltage etc.
- Our products there is a product are using an electrolyte solution. Therefore, misuse can result in rapid deterioration of characteristics and functions of each product. Electrolyte leakage damages printed circuit and affects performance, characteristics, and functions of customer system.

## ⚠ Application Guidelines (Radial Lead Type)

### 1. Circuit design

#### 1.1 Operating Temperature and Frequency

Electrical parameters for electrolytic capacitors are normally specified at 20 °C temperature and 120 Hz frequency. These parameters vary with changes in temperature and frequency. Circuit designers should take these changes into consideration.

- (1) Effects of operating temperature on electrical parameters
  - (a) At higher temperatures, leakage current and capacitance increase while equivalent series resistance (ESR) decreases.
  - (b) At lower temperatures, leakage current and capacitance decrease while equivalent series resistance (ESR) increases.
- (2) Effects of frequency on electrical parameters
  - (a) At higher frequencies, capacitance and impedance decrease while  $\tan \delta$  increases.
  - (b) At lower frequencies, heat generated by ripple current will rise due to an increase in equivalent series resistance (ESR).

#### 1.2 Operating Temperature and Life Expectancy

- (1) Expected life is affected by operating temperature. Generally, each 10 °C reduction in temperature will double the expected life.  
Use capacitors at the lowest possible temperature below the upper category temperature.
- (2) If operating temperatures exceed the upper category limit, rapid deterioration of electrical parameter will occur and irreversible damage will result.  
Check for the maximum capacitor operating temperatures including ambient temperature, internal capacitor temperature rise due to ripple current, and the effects of radiated heat from power transistors, IC's or resistors. Avoid placing components, which could conduct heat to the capacitor from the back side of the circuit board.
- (3) The formula for calculating expected life at lower operating temperatures is as follows;

$$L_2 = L_1 \times 2^{\left(\frac{T_1 - T_2}{10}\right)}$$

$L_1$  : Guaranteed life (h) at temperature,  $T_1$  °C

$L_2$  : Expected life (h) at temperature,  $T_2$  °C

$T_1$  : Upper category temperature + temperature rise due to rated ripple current (°C)

$T_2$  : Actual operating temperature, ambient temperature + temperature rise due to ripple current (°C)

- (4) Please use according to the lifetime as noted in this specification. Using products beyond end of the lifetime may change characteristics rapidly, short-circuit, operate pressure relief vent, or leak electrolyte.

#### 1.3 Common Application Conditions to Avoid

The following misapplication load conditions will cause rapid deterioration of a capacitor's electrical parameters. In addition, rapid heating and gas generation within the capacitor can occur, causing the pressure relief vent to operate and resultant leakage of electrolyte. Under extreme conditions, explosion and fire ignition could result. The leaked electrolyte is combustible and electrically conductive.

- (1) Reverse Voltage  
DC capacitors have polarity. Verify correct polarity before insertion. For circuits with changing or uncertain polarity, use DC bipolar capacitors. DC bipolar capacitors are not suitable for use in AC circuits.
- (2) Charge / Discharge Applications  
Standard capacitors are not suitable for use in repeating charge/discharge applications. For charge/discharge applications, consult us with your actual application condition.  
For rush current, please to not exceed 100 A.
- (3) ON-OFF circuit  
Do not use capacitors in circuit where ON-OFF switching is repeated more than 10000 times/per day.  
In case of applying to the theses ON-OFF circuit, consult with us about circuit condition and so on.
- (4) Over voltage  
Do not apply voltages exceeding the maximum specified rated voltage. Voltages up to the surge voltage rating are acceptable for short periods of time.  
Ensure that the sum of the DC voltage and the superimposed AC ripple voltage does not exceed the rated voltage.
- (5) Ripple Current  
Do not apply ripple currents exceeding the maximum specified value. For high ripple current applications, use a capacitor designed for high ripple currents. In addition, consult us if the applied ripple current is to be higher than the maximum specified value.  
Ensure that rated ripple currents that superimposed on low DC bias voltages do not cause reverse voltage conditions.

#### 1.4 Using Two or More Capacitors in Series or Parallel

(1) Capacitors Connected in Parallel

The circuit resistance can closely approximate the series resistance of the capacitor, causing an imbalance of ripple current loads within the capacitors. Careful wiring methods can minimize the possible application of an excessive ripple current to a capacitor.

(2) Capacitors Connected in Series

Differences in normal DC leakage current among capacitors can cause voltage imbalances.

The use of voltage divider shunt resistors with consideration to leakage currents can prevent capacitor voltage imbalances.

#### 1.5 Capacitor Mounting Considerations

(1) Double-Sided Circuit Boards

Avoid wiring pattern runs, which pass between the mounted capacitor and the circuit board. When dipping into a solder bath, an excess solder may deposit under the capacitor by capillary action, causing short circuit between anode and cathode terminals.

(2) Circuit Board Hole Positioning

The vinyl sleeve of the capacitor can be damaged if solder passes through a lead hole into the subsequently processed parts.

Special care when locating hole positions in proximity to capacitors is recommended.

(3) Circuit Board Hole Spacing

The spacing of circuit board holes should match the lead wire spacing of capacitors within the specified tolerances. Incorrect spacing can cause an excessive lead wire stress during the insertion process.

This may result in premature capacitor failure due to the short or open circuit, increased leakage current, or electrolyte leakage.

(4) Clearance for Case Mounted Pressure Relief

Capacitors with case mounted pressure relief require sufficient clearance to allow for proper pressure relief operation.

The minimum clearance are dependent on capacitor diameters as follows.

(Dia 6.3 mm to Dia 16 mm : 2 mm minimum, Dia 18 mm : 3 mm minimum)

(5) Wiring Near the Pressure Relief

Avoid locating high voltage or high current wiring or circuit board paths above the pressure relief. Flammable, high temperature gas that exceeds 100 °C may be released which could dissolve the wire insulation and ignite.

(6) Circuit Board Patterns Under the Capacitor

Avoid circuit board runs under the capacitor, as an electrical short can occur due to an electrolyte leakage.

(7) Please note the resonant after product implementation

The vicinity of the resonant point will take a heavy load on the capacitor.

Capacitors can cause rapid change in characteristics and dropout by this load.

#### 1.6 Electrical Isolation of the Capacitor

Completely isolate the capacitor as follows.

Between the cathode and the case and between the anode terminal and other circuit paths.

#### 1.7 Capacitor Sleeve

The vinyl sleeve or laminate coating is intended for marking and identification purposes and is not meant to electrically insulate the capacitor.

The sleeve may split or crack if immersed into solvents such as toluene or xylene and then subsequently exposed to high temperatures.

## 2. Capacitor Handling Techniques

### 2.1 Considerations Before Using

(1) Capacitors have a finite life. Do not reuse or recycle capacitors from used equipment.

(2) Transient recovery voltage may be generated in the capacitor due to dielectric absorption.

If required, this voltage can be discharged with a resistor with a value of about 1 k $\Omega$ .

(3) Capacitors stored for a long period of time may exhibit an increase in leakage current.

This can be corrected by gradually applying rated voltage in series with a resistor of approximately 1 k $\Omega$ .

(4) If capacitors are dropped, they can be damaged mechanically or electrically. Avoid using dropped capacitors.

(5) Dented or crushed capacitors should not be used. The seal integrity can be damaged and loss of electrolyte/shortened life can result.

## 2.2 Capacitor Insertion

- (1) Verify the correct capacitance and rated voltage of the capacitor.
- (2) Verify the correct polarity of the capacitor before insertion.
- (3) Verify the correct hole spacing and land pattern size before insertion to avoid stress on the terminals.
- (4) Ensure that the lead clinching operation done by auto insertion equipments does not stress the capacitor leads where they enter the seal of the capacitor.

## 2.3 Flow Soldering

- (1) Do not immerse the capacitor body into the solder bath as excessive internal pressure could result.
- (2) Apply proper soldering conditions (temperature, time, etc.). Do not exceed the specified limits.
- (3) Do not allow other parts or components to touch the capacitor during soldering.

## 2.4 Manual Soldering

- (1) Apply soldering conditions (temperature and time) based on the specification, or do not exceed temperature of 350 °C for 3 seconds or less.
- (2) If lead wires must be modified to meet terminal board hole spacing, avoid stress on the lead wire where it enters the capacitor seal.
- (3) If a soldered capacitor must be removed and reinserted, avoid excessive stress on the capacitor leads.
- (4) Avoid physical contacts between the tip of the soldering iron and capacitors to prevent melting of the vinyl sleeve.

## 2.5 Other Soldering Considerations

Rapid temperature rise during the preheat operation and resin bonding operation can cause cracking of the capacitor's vinyl sleeve.

For heat curing, do not exceed 150 °C for the maximum time of 2 minutes.

## 2.6 Capacitor Handling after Soldering

- (1) Avoid moving the capacitor after soldering to prevent excessive stress on the lead wires where they enter the seal.
- (2) Do not use the capacitor as a handle when moving the circuit board assembly.
- (3) Avoid striking the capacitor after assembly to prevent failure due to excessive shock.

## 2.7 Circuit Board Cleaning

- (1) Circuit boards can be immersed or ultrasonically cleaned using suitable cleaning solvents for up to 5 minutes and up to 60 °C maximum temperatures. The boards should be thoroughly rinsed and dried.  
The use of ozone depleting cleaning agents is not recommended for the purpose of protecting our environment.
- (2) Avoid using the following solvent groups unless specifically allowed in the specification ;
  - (a) Halogenated cleaning solvents: except for solvent resistant capacitor types, halogenated solvents can permeate the seal and cause internal capacitor corrosion and failure.  
For solvent resistant capacitors, carefully follow the temperature and time requirements based on the specification.  
1,1,1-trichloroethane should never be used on any aluminum electrolytic capacitor.
  - (b) Alkaline solvents : could react and dissolve the aluminum case.
  - (c) Petroleum based solvents : deterioration of the rubber seal could result.
  - (d) Xylene : deterioration of the rubber seal could result.
  - (e) Acetone : removal of the ink markings on the vinyl sleeve could result.
- (3) A thorough drying after cleaning is required to remove residual cleaning solvents that may be trapped between the capacitor and the circuit board. Avoid drying temperatures, which exceed the Upper category temperature of the capacitor.
- (4) Monitor the contamination levels of the cleaning solvents during use in terms of electrical conductivity, pH, specific gravity, or water content. Chlorine levels can rise with contamination and adversely affect the performance of the capacitor.
- (5) Depending on the cleaning method, the marking on a capacitor may be erased or blurred.  
Please consult us if you are not certain about acceptable cleaning solvents or cleaning methods.

## 2.8 Mounting Adhesives and Coating Agents

When using mounting adhesives or coating agents to control humidity, avoid using materials containing halogenated solvents.

Also, avoid the use of chloroprene based polymers.

Harden on dry adhesive or coating agents well lest the solvent should be left.

After applying adhesives or coatings, dry thoroughly to prevent residual solvents from being trapped between the capacitor and the circuit board.

## 2.9 Fumigation

In exporting electronic appliances with aluminum electrolytic capacitors, in some cases fumigation treatment using such halogen compound as methyl bromide is conducted for wooden boxes.

If such boxes are not dried well, the halogen left in the box is dispersed while transported and enters in the capacitors inside.

This possibly causes electrical corrosion of the capacitors. Therefore, after performing fumigation and drying make sure that no halogen is left.

Don't perform fumigation treatment to the whole electronic appliances packed in a box.

## 3. Precautions for using capacitors

### 3.1 Environmental Conditions

Capacitors should not be used in the following environments.

- (1) Exposure to temperatures above the upper category or below the lower category temperature of the capacitor.
- (2) Direct contact with water, salt water, or oil.
- (3) High humidity conditions where water could condense on the capacitor.
- (4) Exposure to toxic gases such as hydrogen sulfide, sulfuric acid, nitric acid, chlorine, Chlorine compound, Bromine, Bromine compound or ammonia.
- (5) Exposure to ozone, radiation, or ultraviolet rays.
- (6) Vibration and shock conditions exceeding specified requirements.

### 3.2 Electrical Precautions

- (1) Avoid touching the terminals of a capacitor as a possible electric shock could result. The exposed aluminum case is not insulated and could also cause electric shock if touched.
- (2) Avoid short circuiting the area between the capacitor terminals with conductive materials including liquids such as acids or alkaline solutions.
- (3) A low-molecular-weight-shiroxane which is included in a silicon material shall causes abnormal electrical characteristics.

## 4. Emergency Procedures

- (1) If the pressure relief of the capacitor operates, immediately turn off the equipment and disconnect from the power source. This will minimize an additional damage caused by the vaporizing electrolyte.
- (2) Avoid contact with the escaping electrolyte gas, which can exceed 100 °C temperatures.  
If electrolyte or gas enters the eye, immediately flush the eye with large amounts of water.  
If electrolyte or gas is ingested by mouth, gargle with water.  
If electrolyte contacts the skin, wash with soap and water.

## 5. Long Term Storage

Leakage current of a capacitor increases with long storage times. The aluminum oxide film deteriorates as a function of temperature and time.

If used without reconditioning, an abnormally high current will be required to restore the oxide film.

This surge current could cause the circuit or the capacitor to fail.

Expiration date is 42 months from outgoing inspection date.

However, expiration date for series which are not listed below is 12 months from outgoing inspection date.

Series	Expiration date
FC, FK, HD, TA, TP	42 months from outgoing inspection date

For storage condition, keep room temperature (5 °C to 35 °C) and humidity (45 % to 85 %) where direct sunshine doesn't reach.

### 5.1 Environmental Conditions

Do not store under condition outside the area described in the specification, and also under conditions listed below.

- (1) Exposure to temperatures above the upper category or below the lower category temperature of the capacitor.
- (2) Direct contact with water, salt water, or oil.
- (3) High humidity conditions where water could condense on the capacitor.
- (4) Exposure to toxic gases such as hydrogen sulfide, sulfuric acid, nitric acid, chlorine, Chlorine compound, Bromine, Bromine compound or ammonia.
- (5) Exposure to ozone, radiation, or ultraviolet rays.
- (6) Vibration and shock conditions exceeding specified requirements.

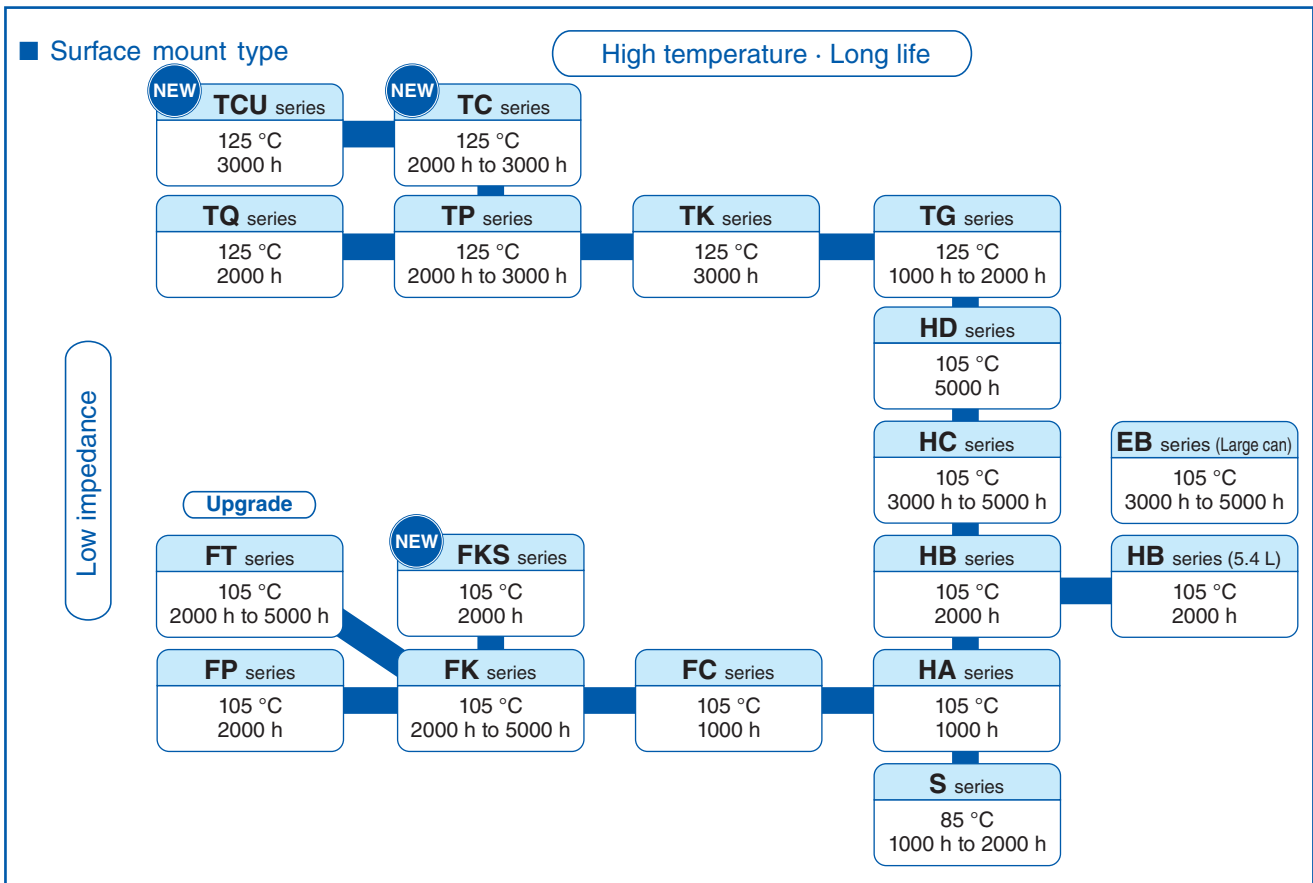
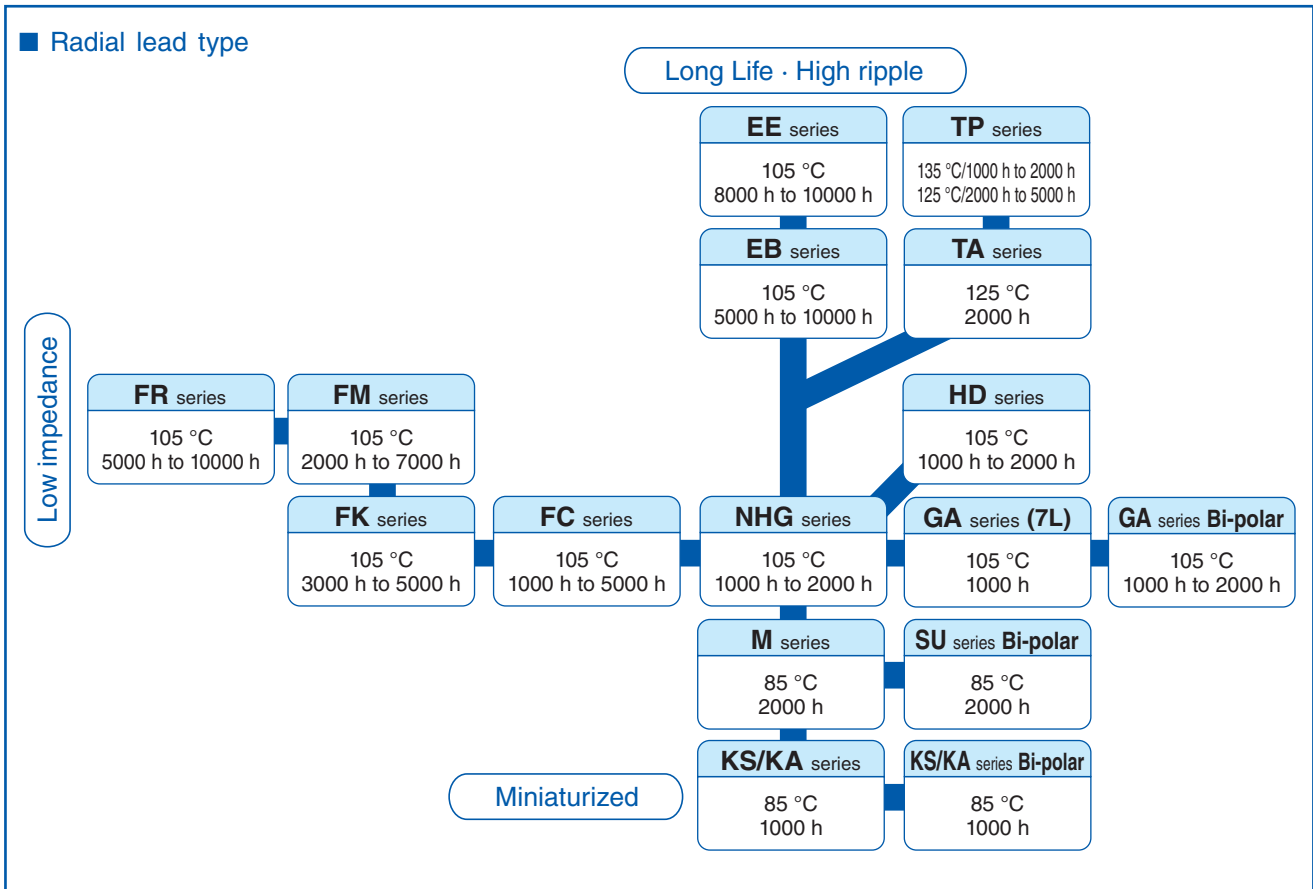
## 6. Capacitor Disposal

When disposing capacitors, use one of the following methods.

- (1) Incinerate after crushing the capacitor or puncturing the can wall (to prevent explosion due to internal pressure rise).
- (2) Dispose as solid waste.

NOTE : Local laws may have specific disposal requirements which must be followed.

## Diagram

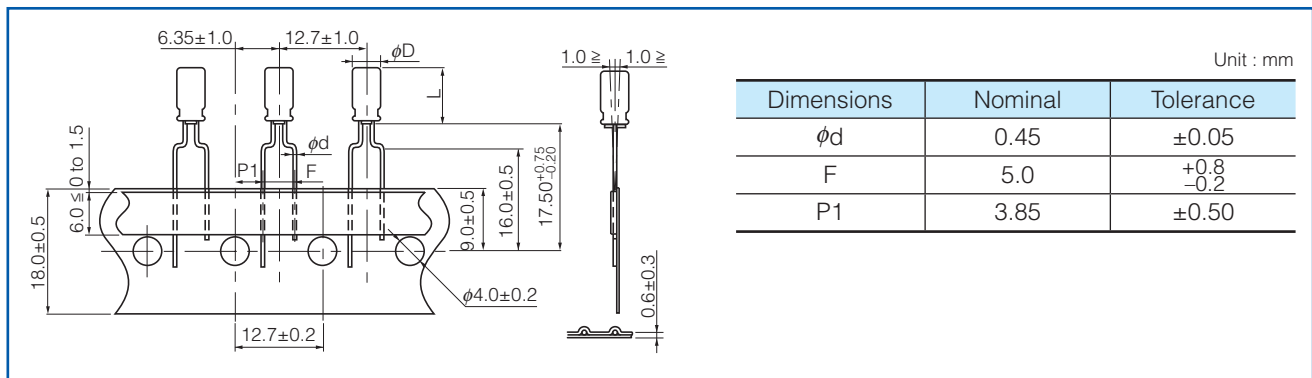


## Lead taping radial lead type

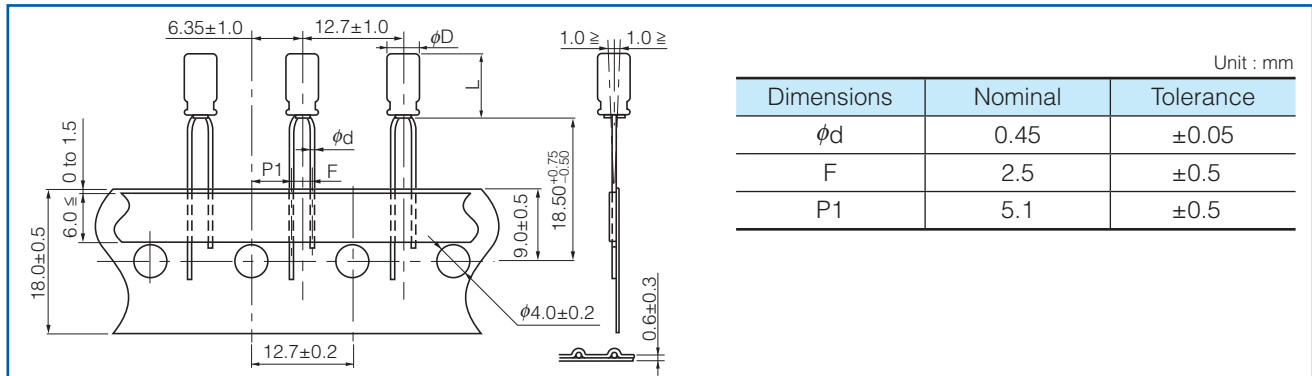
### ● Dimensions

Case size (mm) $\phi D \times L$	Lead space (F)		
	2.5 mm	5.0 mm	7.5 mm
4 × 5, 7	B	A	
5 × 5, 7	B	A	
6.3 × 5, 7	C	A	
8 × 5, 7	C	E	
5 × 11	C	D	
6.3 × 11.2, 15	C	D	
8 × 11.5, 15, 20		E	
10 × 12.5, 16, 20, 25		F	
12.5 × 15, 20, 25		G	
16 × 15, 20, 25			H
18 × 15, 20, 25			H

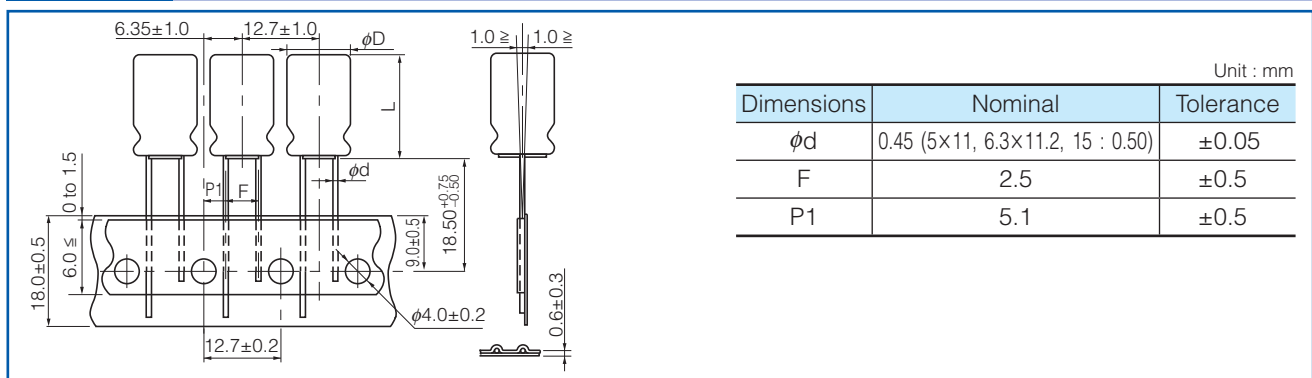
**Figure A** (Lead space: 5.0 mm /  $\phi D \times L$  :  $\phi 4 \times 5, 7, \phi 5 \times 5, 7, \phi 6.3 \times 5, 7$ )



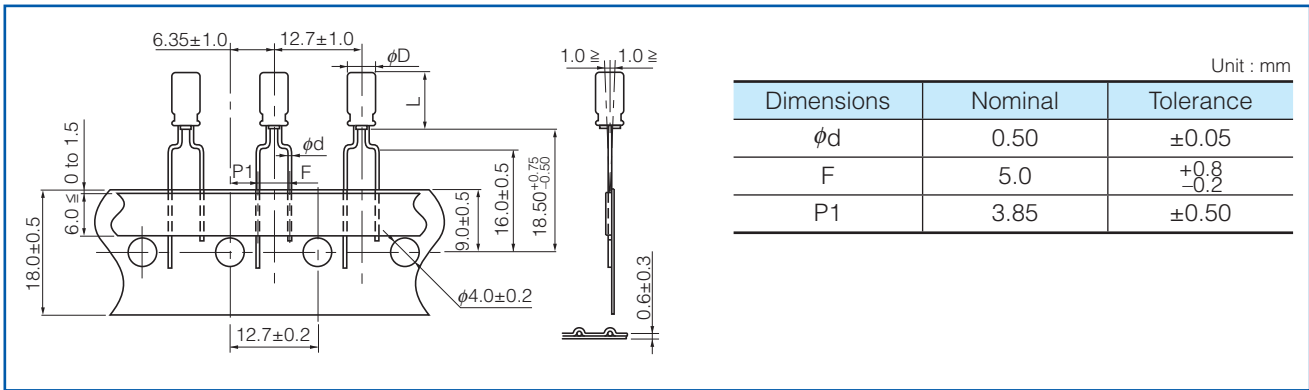
**Figure B** (Lead space: 2.5 mm /  $\phi D \times L$  :  $\phi 4 \times 5, 7, \phi 5 \times 5, 7$ )



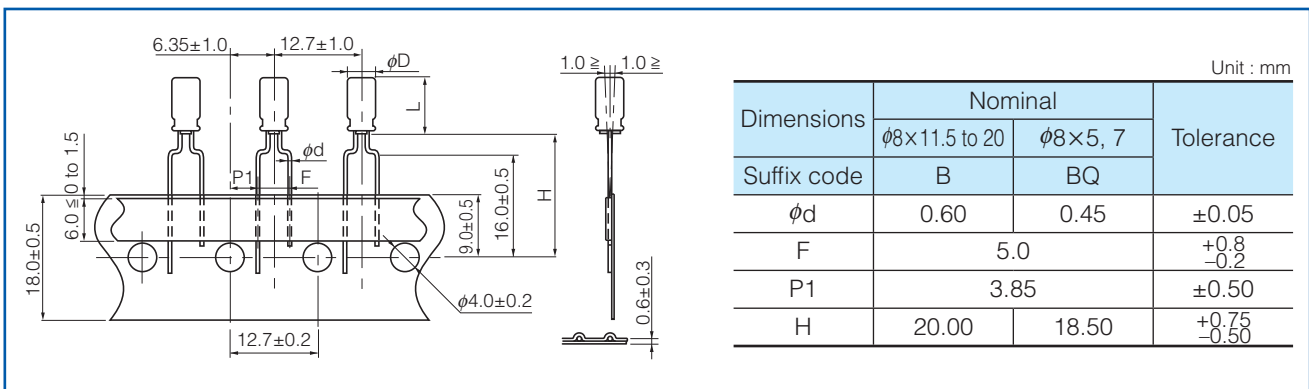
**Figure C** (Lead space: 2.5 mm /  $\phi D \times L$  :  $\phi 5 \times 11, \phi 6.3 \times 5, 7, 11.2, 15, \phi 8 \times 5, 7$ )



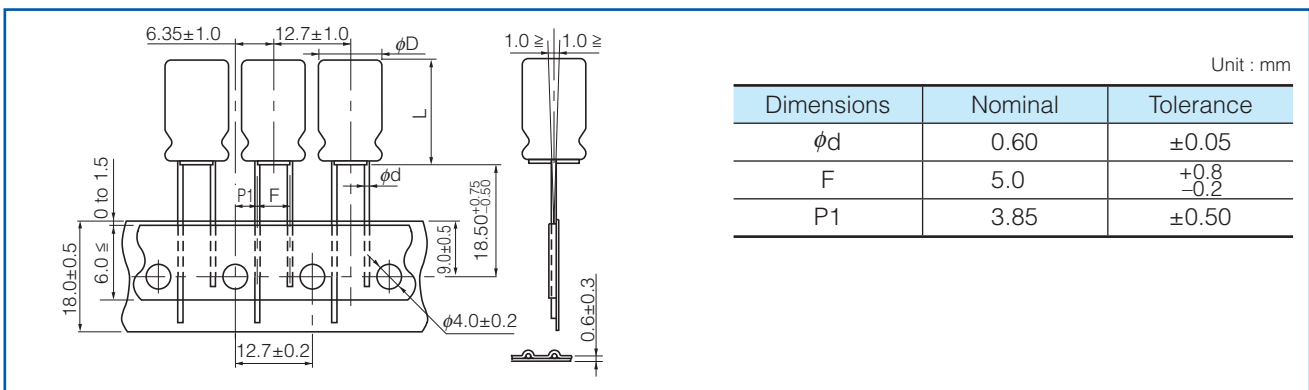
**Figure D** (Lead space: 5 mm /  $\phi D \times L$  :  $\phi 5 \times 11$ ,  $\phi 6.3 \times 11.2$ , 15)



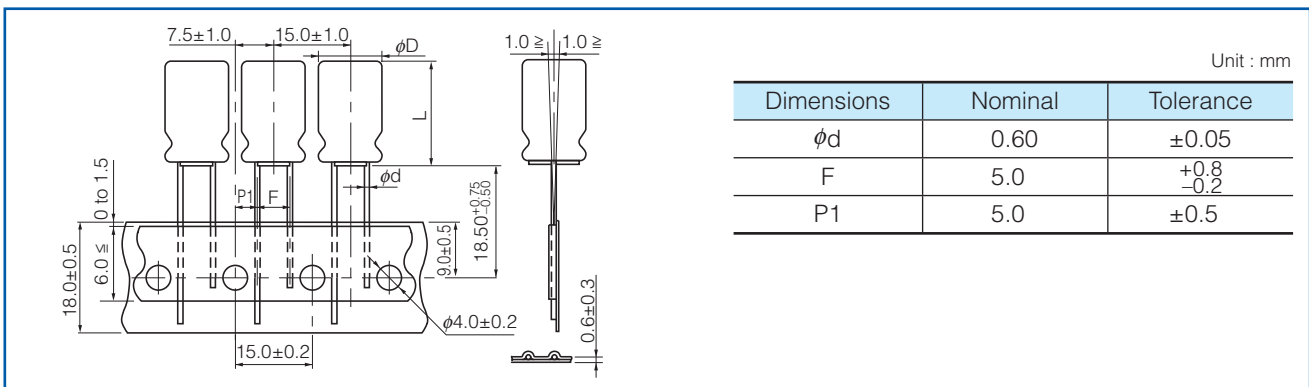
**Figure E** (Lead space: 5 mm /  $\phi D \times L$  :  $\phi 8 \times 5$ , 7, 11.5, 15, 20)



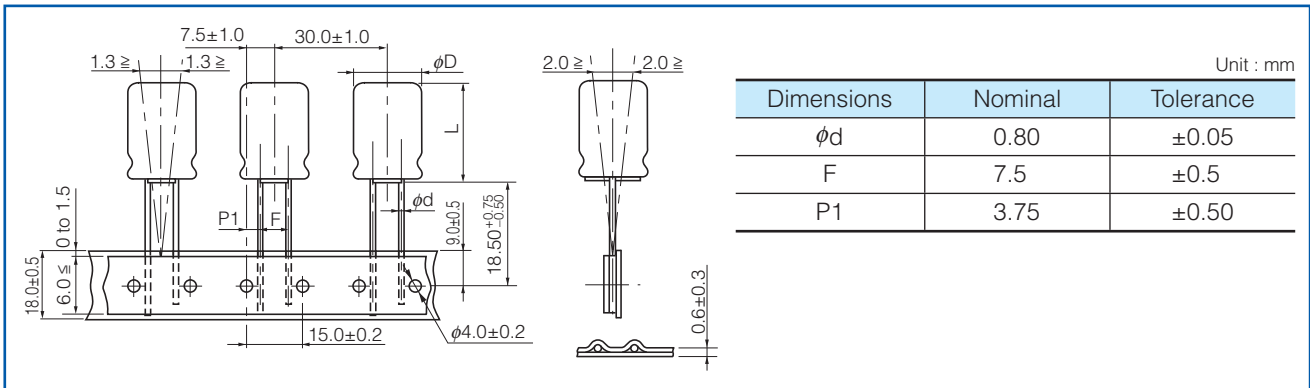
**Figure F** (Lead space: 5 mm /  $\phi D \times L$  :  $\phi 10 \times 12.5$ , 16, 20, 25)



**Figure G** (Lead space: 5 mm /  $\phi D \times L$  :  $\phi 12.5 \times 15$ , 20, 25)



**Figure H** (Lead space: 7.5 mm /  $\phi D \times L$  :  $\phi 16 \times 15, 20, 25, \phi 18 \times 15, 20, 25$ )



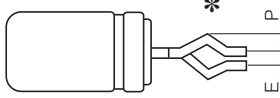
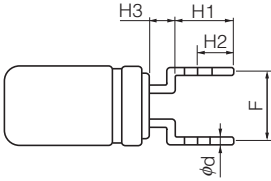
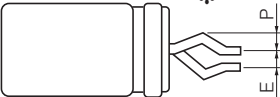
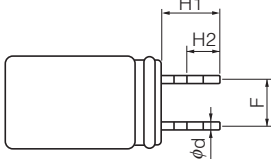
### Packaging Specifications

Dimensions	Dimensions of outer carton box				
	φ4 to φ5	φ6.3	φ8	φ10, φ12.5	φ16, φ18
a	340 max.	340 max.	340 max.	340 max.	340 max.
b	to 55 max.	to 55 max.	to 55 max.	55 to 66 max.	62 to 75 max.
c	170 to 210 max.	270 max.	230 max.	170 to 270 max.	225 to 310 max.
Packaging Quantity	2000 pcs.	2000 pcs.	1000 pcs.	500 pcs.	250 pcs.

# Panasonic Aluminum Electrolytic Capacitors (Radial Lead Type)

## Lead Forming Type (Snap-in)

Lead formed Aluminium Electrolytic Capacitor for self mounting, for rationalization and upgrade of soldering process.

$\phi D$	Dimensions	
4, 5, 6.3, 8		
10, 12.5, 16, 18		

\* Direction of bending shape is not specified

## Dimensions

Unit : mm

$\phi D$	$H1 \pm 0.5$	H2	H3	$F \pm 0.5$	P	E max.	$\phi d$	for PWB	
								hole dia. $\phi$	thickness
5	4.5	2.7	2.5	5.0	1.0	1.0	0.5	0.9	1.6
6.3	4.5	2.7	2.5	5.0	1.0	1.0	0.5	1.0	1.6
8	4.5	2.7	2.5	5.0	1.0	1.0	0.6	1.0	1.6
10	4.5	2.7	–	5.0	1.0	1.0	0.6	1.0	1.6
12.5	4.5	2.7	–	5.0	1.0 / 0.9	1.0	0.6 / 0.8	1.0 / 1.1	1.6
16	4.5	2.7	–	7.5	0.9	1.0	0.8	1.1	1.6
18	4.5	2.7	–	7.5	0.9	1.0	0.8	1.1	1.6

## Series KA/KS Dimensions

Unit : mm

$\phi D$	$H1 \pm 0.5$	H2	$H3 \pm 0.3$	$F \pm 0.5$	P	E max.	$\phi d$	for PWB	
								hole dia. $\phi$	thickness
4	4.5	2.7	1.5	5.0	0.95	1.0	0.45	0.9	1.6
5	4.5	2.7	1.5	5.0	0.95	1.0	0.45	0.9	1.6
6.3	4.5	2.7	1.5	5.0	0.95	1.0	0.45	0.9	1.6
8	4.5	2.7	1.5	5.0	0.95	1.0	0.45	0.9	1.6

## Radial Lead Type

Series : **FC** Type : **A**



### Features

- Endurance : 105 °C 1000 h to 5000 h
- Low impedance
- RoHS compliant

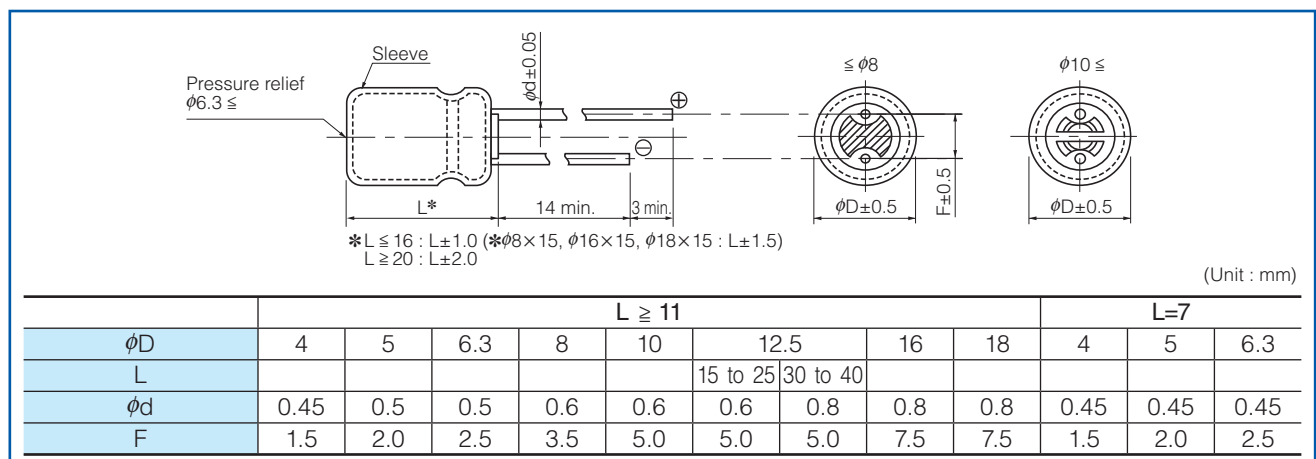
### Specifications

Category temperature range	-55 °C to +105 °C									
Rated voltage range	6.3 V.DC to 100 V.DC									
Capacitance range	2.2 μF to 15000 μF									
Capacitance tolerance	±20 % (120 Hz/+20 °C)									
Leakage current	$I \leq 0.01 CV$ or 3 (μA) After 2 minutes (Whichever is greater)									
Dissipation factor (tan δ)	V.DC	6.3	10	16	25	35	50	63	100	(120 Hz/+20 °C)
	tan δ	0.22	0.19	0.16	0.14	0.12	0.10	0.08	0.07	
For capacitance value $\geq 1000 \mu\text{F}$ , add 0.02 per every 1000 μF.										
Endurance	After following life test with DC voltage and +105 °C±2 °C ripple current value applied (The sum of DC and ripple peak voltage shall not exceed the rated working voltage) when the capacitors are restored to 20 °C, the capacitors shall meet the limits specified below. Duration : φ4 to φ6.3 : 1000 hours, φ8 : 2000 hours, φ10 : 3000 hours, φ12.5 to φ18 : 5000 hours									
	Capacitance change	Within ±20 % of the initial value								
	tan δ	$\leq 200$ % of the initial limit								
	DC leakage current	Within the initial limit								
Shelf life	After storage for 1000 hours at +105 °C±2 °C with no voltage applied and then being stabilized at +20 °C, capacitors shall meet the limits specified in Endurance. (With voltage treatment)									
AEC-Q200	AEC-Q200 compliant									

### Frequency correction factor for ripple current

Rated voltage (V.DC)	Capacitance (μF)	Frequency (Hz)				
		60	120	1 k	10 k	100 k
6.3 to 100	2.2 to 330	0.55	0.65	0.85	0.90	1.00
	390 to 1000	0.70	0.75	0.90	0.95	1.00
	1200 to 2200	0.75	0.80	0.90	0.95	1.00
	2700 to 15000	0.80	0.85	0.95	1.00	1.00

### Dimensions



## Case size/ Impedance/ Ripple current

Rated voltage (V.DC)	6.3 V.DC to 35 V.DC			50 V.DC			63 V.DC			100 V.DC		
	Impedance ( $\Omega$ )/(100 kHz)		Ripple current (mA r.m.s.) /(100 kHz)	Impedance ( $\Omega$ )/(100 kHz)		Ripple current (mA r.m.s.) /(100 kHz)	Impedance ( $\Omega$ )/(100 kHz)		Ripple current (mA r.m.s.) /(100 kHz)	Impedance ( $\Omega$ )/(100 kHz)		Ripple current (mA r.m.s.) /(100 kHz)
	20 °C	-10 °C		20 °C	-10 °C		20 °C	-10 °C		20 °C	-10 °C	
4 × 7	2.00	5.00	65									
5 × 7	0.950	2.40	120									
6.3 × 7	0.450	1.20	200									
5 × 11	0.800	1.60	175	*	*	*	2.00	4.00	145	4.10	8.20	80
6.3 × 11.2	0.350	0.700	290	0.600	1.20	260	1.00	2.00	240	1.80	3.60	114
8 × 11.5	0.117	0.234	555	0.234	0.468	485	0.342	0.684	405	0.680	1.36	260
8 × 15	0.085	0.170	730	0.155	0.310	635	0.230	0.460	535	0.450	0.900	340
8 × 20	0.065	0.130	995	0.120	0.240	860	0.178	0.356	690	0.330	0.660	455
10 × 12.5	0.090	0.180	755	0.162	0.324	615	0.256	0.512	535	0.530	1.06	306
10 × 16	0.068	0.136	1050	0.119	0.238	850	0.194	0.388	600	0.360	0.720	400
10 × 20	0.052	0.104	1220	0.090	0.180	1030	0.147	0.294	885	0.240	0.480	463
10 × 25	0.045	0.090	1440	0.082	0.164	1200	0.130	0.260	1050	0.210	0.420	599
10 × 30	0.035	0.070	1815	0.060	0.120	1610	0.090	0.180	1300	0.150	0.300	698
12.5 × 15	0.065	0.130	1205	0.110	0.220	1150	0.150	0.300	1020	0.230	0.460	511
12.5 × 20	0.038	0.076	1655	0.063	0.126	1480	0.085	0.170	1285	0.180	0.360	671
12.5 × 25	0.030	0.060	1945	0.050	0.100	1832	0.070	0.140	1720	0.110	0.220	807
12.5 × 30	0.025	0.050	2310	0.040	0.080	2215	0.055	0.110	2090	0.098	0.196	937
12.5 × 35	0.022	0.044	2510	0.034	0.068	2285	0.047	0.094	2265	0.087	0.174	1040
12.5 × 40	0.018	0.036	2655	0.030	0.060	2590	0.042	0.084	2560	0.072	0.144	1130
16 × 15	0.043	0.086	1690	0.080	0.160	1610	0.090	0.180	1410	0.140	0.280	793
16 × 20	0.029	0.058	2205	0.048	0.096	1835	0.059	0.118	1765	0.110	0.220	995
16 × 25	0.022	0.044	2555	0.034	0.068	2235	0.050	0.100	2160	0.089	0.178	1170
16 × 31.5	0.018	0.036	3010	0.028	0.056	2700	0.043	0.086	2670	0.062	0.124	1520
16 × 35.5	0.016	0.032	3150	0.025	0.050	2790	0.036	0.072	2770	0.053	0.106	1730
16 × 40	0.015	0.030	3360	0.023	0.046	2845	0.030	0.060	2825	0.047	0.094	1920
18 × 15	0.038	0.076	2000	0.068	0.136	1900	0.086	0.172	1690	0.120	0.240	917
18 × 20	0.028	0.056	2490	0.042	0.084	2420	0.055	0.110	2290	0.080	0.160	1230
18 × 25	0.020	0.040	2740	0.029	0.058	2610	0.043	0.086	2585	0.070	0.140	1420
18 × 31.5	0.016	0.032	3635	0.025	0.050	3000	0.032	0.064	2950	0.062	0.124	1600
18 × 35.5	0.015	0.030	3680	0.023	0.046	3100	0.030	0.060	3095	0.041	0.082	1770
18 × 40	0.014	0.028	3735	-	-	-	0.025	0.050	3205	0.036	0.072	2300

\*

Case size (mm) ( $\phi$ D×L)	Capacitance ( $\mu$ F)	Impedance ( $\Omega$ )/(100 kHz)		Ripple current (mA r.m.s.)/(100 kHz)
		20 °C	-10 °C	
5 × 11	1.0	2.40	4.80	20
	2.2	1.80	3.60	45
	3.3	1.30	2.60	65
	4.7	1.30	2.60	95
	10	1.30	2.60	125
	12	1.30	2.60	135
	15	1.30	2.60	145
	18	1.30	2.60	155
	22	1.30	2.60	155

## Characteristics list

Endurance : 105 °C  $\phi$ 4 to  $\phi$ 6.3=1000 h,  $\phi$ 8=2000 h,  $\phi$ 10=3000 h,  $\phi$ 12.5 to  $\phi$ 18=5000 h

Rated voltage (V.DC)	Cap. ( $\pm$ 20 %) ( $\mu$ F)	Case size (mm)		Specification			Lead length (mm)			Part No.	Min. Packaging Q'ty		
		$\phi$ D	L	Ripple current (100 kHz) (+105 °C) (mA r.m.s.)	Impedance (100 kHz) (+20 °C) ( $\Omega$ )	Endurance (hours)	Lead dia. $\phi$ d	Lead space			Straight leads (pcs)	Taping (pcs)	
								Straight	Taping *B				Taping *H
6.3	27	4	7	65	2.000	1000	0.45	1.5	5.0	2.5	EEAFC0J270( )	200	2000
	56	5	7	120	0.950	1000	0.45	2.0	5.0	2.5	EEAFC0J560( )	200	2000
	100	5	11	175	0.800	1000	0.50	2.0	5.0	2.5	EEUFC0J101( )	200	2000
	120	6.3	7	200	0.450	1000	0.45	2.5	5.0	2.5	EEAFC0J121( )	200	2000
	220	6.3	11.2	290	0.350	1000	0.50	2.5	5.0	2.5	EEUFC0J221( )	200	2000
	270	6.3	11.2	290	0.350	1000	0.50	2.5	5.0	2.5	EEUFC0J271( )	200	2000
	330	6.3	11.2	290	0.350	1000	0.50	2.5	5.0	2.5	EEUFC0J331S( )	200	2000
	390	8	11.5	555	0.117	2000	0.60	3.5	5.0		EEUFC0J391( )	200	1000
	470	8	11.5	555	0.117	2000	0.60	3.5	5.0		EEUFC0J471( )	200	1000
	560	8	11.5	555	0.117	2000	0.60	3.5	5.0		EEUFC0J561( )	200	1000
	820	8	15	730	0.085	2000	0.60	3.5	5.0		EEUFC0J821L( )	200	1000
		10	12.5	755	0.090	3000	0.60	5.0	5.0		EEUFC0J821( )	200	500
	1000	10	12.5	755	0.090	3000	0.60	5.0	5.0		EEUFC0J102( )	200	500
	1200	8	20	995	0.065	2000	0.60	3.5	5.0		EEUFC0J122L( )	200	1000
		10	16	1050	0.068	3000	0.60	5.0	5.0		EEUFC0J122( )	200	500
	1500	10	20	1220	0.052	3000	0.60	5.0	5.0		EEUFC0J152( )	200	500
		12.5	15	1205	0.065	5000	0.60	5.0	5.0		EEUFC0J152S( )	200	500
	1800	10	25	1440	0.045	3000	0.60	5.0	5.0		EEUFC0J182( )	200	500
	2200	10	25	1440	0.045	3000	0.60	5.0	5.0		EEUFC0J222( )	200	500
		16	15	1690	0.043	5000	0.80	7.5	7.5		EEUFC0J222S( )	100	250
	2700	10	30	1815	0.035	3000	0.60	5.0			EEUFC0J272L	100	
		12.5	20	1655	0.038	5000	0.60	5.0	5.0		EEUFC0J272( )	200	500
		16	15	1690	0.043	5000	0.80	7.5	7.5		EEUFC0J272S( )	100	250
	3300	12.5	20	1655	0.038	5000	0.60	5.0	5.0		EEUFC0J332( )	200	500
		18	15	2000	0.038	5000	0.80	7.5	7.5		EEUFC0J332S( )	100	250
	3900	12.5	25	1945	0.030	5000	0.60	5.0	5.0		EEUFC0J392( )	200	500
	4700	12.5	30	2310	0.025	5000	0.80	5.0			EEUFC0J472	100	
		16	20	2205	0.029	5000	0.80	7.5	7.5		EEUFC0J472S( )	100	250
	5600	12.5	35	2510	0.022	5000	0.80	5.0			EEUFC0J562L	100	
		16	20	2205	0.029	5000	0.80	7.5	7.5		EEUFC0J562( )	100	250
6800	12.5	40	2655	0.018	5000	0.80	5.0			EEUFC0J682L	100		
	16	25	2555	0.022	5000	0.80	7.5	7.5		EEUFC0J682( )	100	250	
	18	20	2490	0.028	5000	0.80	7.5	7.5		EEUFC0J682S( )	100	250	
8200	16	31.5	3010	0.018	5000	0.80	7.5			EEUFC0J822	100		
10000	16	35.5	3150	0.016	5000	0.80	7.5			EEUFC0J103	100		
	18	25	2740	0.020	5000	0.80	7.5	7.5		EEUFC0J103S( )	100	250	
12000	16	40	3360	0.015	5000	0.80	7.5			EEUFC0J123L	100		
	18	31.5	3635	0.016	5000	0.80	7.5			EEUFC0J123	50		
15000	18	35.5	3680	0.015	5000	0.80	7.5			EEUFC0J153	50		

- When requesting taped product, please put the letter "B" or "H" between the "( )". Lead wire pitch \*B=5 mm, 7.5 mm, H=2.5 mm.
- Please refer to the page of "Taping dimensions".

## Characteristics list

Endurance : 105 °C  $\phi$ 4 to  $\phi$ 6.3=1000 h,  $\phi$ 8=2000 h,  $\phi$ 10=3000 h,  $\phi$ 12.5 to  $\phi$ 18=5000 h

Rated voltage (V.DC)	Cap. ( $\pm$ 20 %) ( $\mu$ F)	Case size (mm)		Specification			Lead length (mm)			Part No.	Min. Packaging Q'ty		
		$\phi$ D	L	Ripple current (100 kHz) (+105 °C) (mA r.m.s.)	Impedance (100 kHz) (+20 °C) ( $\Omega$ )	Endurance (hours)	Lead dia. $\phi$ d	Lead space			Straight leads (pcs)	Taping (pcs)	
								Straight	Taping *B				Taping *H
10	22	4	7	65	2.000	1000	0.45	1.5	5.0	2.5	EEAFC1A220( )	200	2000
	39	5	7	120	0.950	1000	0.45	2.0	5.0	2.5	EEAFC1A390( )	200	2000
	82	5	11	175	0.800	1000	0.50	2.0	5.0	2.5	EEUFC1A820( )	200	2000
		6.3	7	200	0.450	1000	0.45	2.5	5.0	2.5	EEAFC1A820( )	200	2000
	100	5	11	175	0.800	1000	0.50	2.0	5.0	2.5	EEUFC1A101S( )	200	2000
	150	6.3	11.2	290	0.350	1000	0.50	2.5	5.0	2.5	EEUFC1A151( )	200	2000
	180	6.3	11.2	290	0.350	1000	0.50	2.5	5.0	2.5	EEUFC1A181( )	200	2000
	220	6.3	11.2	290	0.350	1000	0.50	2.5	5.0	2.5	EEUFC1A221S( )	200	2000
	330	8	11.5	555	0.117	2000	0.60	3.5	5.0		EEUFC1A331( )	200	1000
	390	8	11.5	555	0.117	2000	0.60	3.5	5.0		EEUFC1A391( )	200	1000
	470	8	11.5	555	0.117	2000	0.60	3.5	5.0		EEUFC1A471( )	200	1000
	560	10	12.5	755	0.090	3000	0.60	5.0	5.0		EEUFC1A561( )	200	500
	680	8	15	730	0.085	2000	0.60	3.5	5.0		EEUFC1A681L( )	200	1000
		10	12.5	755	0.090	3000	0.60	5.0	5.0		EEUFC1A681( )	200	500
	820	10	16	1050	0.068	3000	0.60	5.0	5.0		EEUFC1A821( )	200	500
	1000	8	20	995	0.065	2000	0.60	3.5	5.0		EEUFC1A102L( )	200	1000
		10	16	1050	0.068	3000	0.60	5.0	5.0		EEUFC1A102( )	200	500
	1200	10	20	1220	0.052	3000	0.60	5.0	5.0		EEUFC1A122( )	200	500
		12.5	15	1205	0.065	5000	0.60	5.0	5.0		EEUFC1A122S( )	200	500
	1500	10	25	1440	0.045	3000	0.60	5.0	5.0		EEUFC1A152( )	200	500
	1800	12.5	20	1655	0.038	5000	0.60	5.0	5.0		EEUFC1A182( )	200	500
		16	15	1690	0.043	5000	0.80	7.5	7.5		EEUFC1A182S( )	100	250
	2200	10	30	1815	0.035	3000	0.60	5.0			EEUFC1A222L	100	
		12.5	20	1655	0.038	5000	0.60	5.0	5.0		EEUFC1A222( )	200	500
	2700	12.5	25	1945	0.030	5000	0.60	5.0	5.0		EEUFC1A272( )	200	500
		18	15	2000	0.038	5000	0.80	7.5	7.5		EEUFC1A272S( )	100	250
	3300	12.5	30	2310	0.025	5000	0.80	5.0			EEUFC1A332	100	
		16	20	2205	0.029	5000	0.80	7.5	7.5		EEUFC1A332S( )	100	250
	3900	12.5	35	2510	0.022	5000	0.80	5.0			EEUFC1A392L	100	
		16	20	2205	0.029	5000	0.80	7.5	7.5		EEUFC1A392( )	100	250
4700	12.5	40	2655	0.018	5000	0.80	5.0			EEUFC1A472L	100		
	16	25	2555	0.022	5000	0.80	7.5	7.5		EEUFC1A472( )	100	250	
5600	16	25	2555	0.022	5000	0.80	7.5	7.5		EEUFC1A562( )	100	250	
	18	20	2490	0.028	5000	0.80	7.5	7.5		EEUFC1A562S( )	100	250	
6800	16	31.5	3010	0.018	5000	0.80	7.5			EEUFC1A682	100		
	18	25	2740	0.020	5000	0.80	7.5	7.5		EEUFC1A682S( )	100	250	
8200	16	35.5	3150	0.016	5000	0.80	7.5			EEUFC1A822L	100		
	18	31.5	3635	0.016	5000	0.80	7.5			EEUFC1A822	50		
10000	18	35.5	3680	0.015	5000	0.80	7.5			EEUFC1A103	50		
12000	18	40	3735	0.014	5000	0.80	7.5			EEUFC1A123	50		

· When requesting taped product, please put the letter "B" or "H" between the "( )". Lead wire pitch \*B=5 mm, 7.5 mm, H=2.5 mm.

· Please refer to the page of "Taping dimensions".

## Characteristics list

Endurance : 105 °C  $\phi$ 4 to  $\phi$ 6.3=1000 h,  $\phi$ 8=2000 h,  $\phi$ 10=3000 h,  $\phi$ 12.5 to  $\phi$ 18=5000 h

Rated voltage (V.DC)	Cap. ( $\pm 20\%$ ) ( $\mu$ F)	Case size (mm)		Specification			Lead length (mm)			Part No.	Min. Packaging Qty		
		$\phi$ D	L	Ripple current (100 kHz) (+105 °C) (mA r.m.s.)	Impedance (100 kHz) (+20 °C) ( $\Omega$ )	Endurance (hours)	Lead dia. $\phi$ d	Lead space			Straight leads (pcs)	Taping (pcs)	
								Straight	Taping *B				Taping *H
16	15	4	7	65	2.000	1000	0.45	1.5	5.0	2.5	EEAFC1C150( )	200	2000
	27	5	7	120	0.950	1000	0.45	2.0	5.0	2.5	EEAFC1C270( )	200	2000
	47	5	11	175	0.800	1000	0.50	2.0	5.0	2.5	EEUFC1C470( )	200	2000
	56	5	11	175	0.800	1000	0.50	2.0	5.0	2.5	EEUFC1C560( )	200	2000
		6.3	7	200	0.450	1000	0.45	2.5	5.0	2.5	EEAFC1C560( )	200	2000
	68	5	11	175	0.800	1000	0.50	2.0	5.0	2.5	EEUFC1C680( )	200	2000
	100	6.3	11.2	290	0.350	1000	0.50	2.5	5.0	2.5	EEUFC1C101( )	200	2000
	120	6.3	11.2	290	0.350	1000	0.50	2.5	5.0	2.5	EEUFC1C121( )	200	2000
	220	8	11.5	555	0.117	2000	0.60	3.5	5.0		EEUFC1C221( )	200	1000
	270	8	11.5	555	0.117	2000	0.60	3.5	5.0		EEUFC1C271( )	200	1000
	330	8	11.5	555	0.117	2000	0.60	3.5	5.0		EEUFC1C331( )	200	1000
	390	10	12.5	755	0.090	3000	0.60	5.0	5.0		EEUFC1C391( )	200	500
	470	8	15	730	0.085	2000	0.60	3.5	5.0		EEUFC1C471L( )	200	1000
		10	12.5	755	0.090	3000	0.60	5.0	5.0		EEUFC1C471( )	200	500
	560	10	16	1050	0.068	3000	0.60	5.0	5.0		EEUFC1C561( )	200	500
	680	8	20	995	0.065	2000	0.60	3.5	5.0		EEUFC1C681L( )	200	1000
		10	16	1050	0.068	3000	0.60	5.0	5.0		EEUFC1C681( )	200	500
	820	10	20	1220	0.052	3000	0.60	5.0	5.0		EEUFC1C821( )	200	500
		12.5	15	1205	0.065	5000	0.60	5.0	5.0		EEUFC1C821S( )	200	500
	1000	10	20	1220	0.052	3000	0.60	5.0	5.0		EEUFC1C102S( )	200	500
		10	25	1440	0.045	3000	0.60	5.0	5.0		EEUFC1C102( )	200	500
	1200	10	25	1440	0.045	3000	0.60	5.0	5.0		EEUFC1C122( )	200	500
		16	15	1690	0.043	5000	0.80	7.5	7.5		EEUFC1C122S( )	100	250
	1500	10	30	1815	0.035	3000	0.60	5.0			EEUFC1C152L	100	
		12.5	20	1655	0.038	5000	0.60	5.0	5.0		EEUFC1C152( )	200	500
		16	15	1690	0.043	5000	0.80	7.5	7.5		EEUFC1C152S( )	100	250
	1800	12.5	25	1945	0.030	5000	0.60	5.0	5.0		EEUFC1C182( )	200	500
		18	15	2000	0.038	5000	0.80	7.5	7.5		EEUFC1C182S( )	100	250
	2200	12.5	25	1945	0.030	5000	0.60	5.0	5.0		EEUFC1C222( )	200	500
		16	20	2205	0.029	5000	0.80	7.5	7.5		EEUFC1C222S( )	100	250
2700	12.5	30	2310	0.025	5000	0.80	5.0			EEUFC1C272L	100		
	16	20	2205	0.029	5000	0.80	7.5	7.5		EEUFC1C272( )	100	250	
3300	12.5	35	2510	0.022	5000	0.80	5.0			EEUFC1C332	100		
	18	20	2490	0.028	5000	0.80	7.5	7.5		EEUFC1C332S( )	100	250	
3900	16	25	2555	0.022	5000	0.80	7.5	7.5		EEUFC1C392( )	100	250	
	18	20	2490	0.028	5000	0.80	7.5	7.5		EEUFC1C392S( )	100	250	
4700	16	31.5	3010	0.018	5000	0.80	7.5			EEUFC1C472	100		
	18	25	2740	0.020	5000	0.80	7.5	7.5		EEUFC1C472S( )	100	250	
5600	16	35.5	3150	0.016	5000	0.80	7.5			EEUFC1C562L	100		
	18	31.5	3635	0.016	5000	0.80	7.5			EEUFC1C562	50		
6800	16	40	3360	0.015	5000	0.80	7.5			EEUFC1C682	100		
8200	18	35.5	3680	0.015	5000	0.80	7.5			EEUFC1C822	50		

· When requesting taped product, please put the letter "B" or "H" between the "( )". Lead wire pitch \*B=5 mm, 7.5 mm, H=2.5 mm.

· Please refer to the page of "Taping dimensions".

## Characteristics list

Endurance : 105 °C  $\phi 4$  to  $\phi 6.3$ =1000 h,  $\phi 8$ =2000 h,  $\phi 10$ =3000 h,  $\phi 12.5$  to  $\phi 18$ =5000 h

Rated voltage (V.DC)	Cap. ( $\pm 20\%$ ) ( $\mu\text{F}$ )	Case size (mm)		Specification			Lead length (mm)			Part No.	Min. Packaging Qty		
		$\phi\text{D}$	L	Ripple current (100 kHz) (+105 °C) (mA r.m.s.)	Impedance (100 kHz) (+20 °C) ( $\Omega$ )	Endurance (hours)	Lead dia. $\phi\text{d}$	Lead space			Straight leads (pcs)	Taping (pcs)	
								Straight	Taping *B				Taping *H
25	10	4	7	65	2.000	1000	0.45	1.5	5.0	2.5	EEAFC1E100( )	200	2000
	22	5	7	120	0.950	1000	0.45	2.0	5.0	2.5	EEAFC1E220( )	200	2000
	39	5	11	175	0.800	1000	0.50	2.0	5.0	2.5	EEUFC1E390( )	200	2000
		6.3	7	200	0.450	1000	0.45	2.5	5.0	2.5	EEAFC1E390( )	200	2000
	47	5	11	175	0.800	1000	0.50	2.0	5.0	2.5	EEUFC1E470( )	200	2000
	82	6.3	11.2	290	0.350	1000	0.50	2.5	5.0	2.5	EEUFC1E820( )	200	2000
	100	6.3	11.2	290	0.350	1000	0.50	2.5	5.0	2.5	EEUFC1E101S( )	200	2000
	180	8	11.5	555	0.117	2000	0.60	3.5	5.0		EEUFC1E181( )	200	1000
	220	8	11.5	555	0.117	2000	0.60	3.5	5.0		EEUFC1E221( )	200	1000
	270	10	12.5	755	0.090	3000	0.60	5.0	5.0		EEUFC1E271( )	200	500
	330	8	15	730	0.085	2000	0.60	3.5	5.0		EEUFC1E331L( )	200	1000
		10	12.5	755	0.090	3000	0.60	5.0	5.0		EEUFC1E331( )	200	500
	390	10	16	1050	0.068	3000	0.60	5.0	5.0		EEUFC1E391( )	200	500
	470	8	20	995	0.065	2000	0.60	3.5	5.0		EEUFC1E471L( )	200	1000
		10	16	1050	0.068	3000	0.60	5.0	5.0		EEUFC1E471( )	200	500
	560	10	20	1220	0.052	3000	0.60	5.0	5.0		EEUFC1E561( )	200	500
		12.5	15	1205	0.065	5000	0.60	5.0	5.0		EEUFC1E561S( )	200	500
	680	10	20	1220	0.052	3000	0.60	5.0	5.0		EEUFC1E681( )	200	500
	820	10	25	1440	0.045	3000	0.60	5.0	5.0		EEUFC1E821( )	200	500
		12.5	20	1655	0.038	5000	0.60	5.0	5.0		EEUFC1E821S( )	200	500
	1000	10	30	1815	0.035	3000	0.60	5.0			EEUFC1E102L	100	
		12.5	20	1655	0.038	5000	0.60	5.0	5.0		EEUFC1E102( )	200	500
		16	15	1690	0.043	5000	0.80	7.5	7.5		EEUFC1E102S( )	100	250
	1200	12.5	25	1945	0.030	5000	0.60	5.0	5.0		EEUFC1E122( )	200	500
		18	15	2000	0.038	5000	0.80	7.5	7.5		EEUFC1E122S( )	100	250
1500	12.5	25	1945	0.030	5000	0.60	5.0	5.0		EEUFC1E152( )	200	500	
	16	20	2205	0.029	5000	0.80	7.5	7.5		EEUFC1E152S( )	100	250	
1800	12.5	30	2310	0.025	5000	0.80	5.0			EEUFC1E182L	100		
	16	20	2205	0.029	5000	0.80	7.5	7.5		EEUFC1E182( )	100	250	
2200	12.5	35	2510	0.022	5000	0.80	5.0			EEUFC1E222	100		
	18	20	2490	0.028	5000	0.80	7.5	7.5		EEUFC1E222S( )	100	250	
2700	16	25	2555	0.022	5000	0.80	7.5	7.5		EEUFC1E272( )	100	250	
3300	16	31.5	3010	0.018	5000	0.80	7.5			EEUFC1E332	100		
	18	25	2740	0.020	5000	0.80	7.5	7.5		EEUFC1E332S( )	100	250	
3900	16	35.5	3150	0.016	5000	0.80	7.5			EEUFC1E392L	100		
	18	31.5	3635	0.016	5000	0.80	7.5			EEUFC1E392	50		
4700	18	35.5	3680	0.015	5000	0.80	7.5			EEUFC1E472	50		
5600	18	40	3735	0.014	5000	0.80	7.5			EEUFC1E562	50		

· When requesting taped product, please put the letter "B" or "H" between the "( )". Lead wire pitch \*B=5 mm, 7.5 mm, H=2.5 mm.  
 · Please refer to the page of "Taping dimensions".

## Characteristics list

Endurance : 105 °C  $\phi 4$  to  $\phi 6.3$ =1000 h,  $\phi 8$ =2000 h,  $\phi 10$ =3000 h,  $\phi 12.5$  to  $\phi 18$ =5000 h

Rated voltage (V.DC)	Cap. ( $\pm 20\%$ ) ( $\mu\text{F}$ )	Case size (mm)		Specification			Lead length (mm)			Part No.	Min. Packaging Qty		
		$\phi\text{D}$	L	Ripple current (100 kHz) (+105 °C) (mA r.m.s.)	Impedance (100 kHz) (+20 °C) ( $\Omega$ )	Endurance (hours)	Lead dia. $\phi\text{d}$	Lead space			Straight leads (pcs)	Taping (pcs)	
								Straight	Taping *B				Taping *H
35	6.8	4	7	65	2.000	1000	0.45	1.5	5.0	2.5	EEAFC1V6R8( )	200	2000
	12	5	7	120	0.950	1000	0.45	2.0	5.0	2.5	EEAFC1V120( )	200	2000
	22	5	11	175	0.800	1000	0.50	2.0	5.0	2.5	EEUFC1V220( )	200	2000
	27	5	11	175	0.800	1000	0.50	2.0	5.0	2.5	EEUFC1V270( )	200	2000
		6.3	7	200	0.450	1000	0.45	2.5	5.0	2.5	EEAFC1V270( )	200	2000
	33	5	11	175	0.080	1000	0.50	2.0	5.0	2.5	EEUFC1V330( )	200	2000
	47	6.3	11.2	290	0.350	1000	0.50	2.5	5.0	2.5	EEUFC1V470( )	200	2000
	56	6.3	11.2	290	0.350	1000	0.50	2.5	5.0	2.5	EEUFC1V560( )	200	2000
	68	6.3	11.2	290	0.350	1000	0.50	2.5	5.0	2.5	EEUFC1V680( )	200	2000
	100	8	11.5	555	0.117	2000	0.60	3.5	5.0		EEUFC1V101( )	200	1000
	120	8	11.5	555	0.117	2000	0.60	3.5	5.0		EEUFC1V121( )	200	1000
	150	8	11.5	555	0.117	2000	0.60	3.5	5.0		EEUFC1V151( )	200	1000
	180	10	12.5	755	0.090	3000	0.60	5.0	5.0		EEUFC1V181( )	200	500
	220	8	15	730	0.085	2000	0.60	3.5	5.0		EEUFC1V221L( )	200	1000
		10	12.5	755	0.090	3000	0.60	5.0	5.0		EEUFC1V221( )	200	500
	270	10	16	1050	0.068	3000	0.60	5.0	5.0		EEUFC1V271( )	200	500
	330	8	20	995	0.065	2000	0.60	3.5	5.0		EEUFC1V331L( )	200	1000
		10	16	1050	0.068	3000	0.60	5.0	5.0		EEUFC1V331( )	200	500
	390	10	20	1220	0.052	3000	0.60	5.0	5.0		EEUFC1V391( )	200	500
		12.5	15	1205	0.065	5000	0.60	5.0	5.0		EEUFC1V391S( )	200	500
	470	10	20	1220	0.052	3000	0.60	5.0	5.0		EEUFC1V471( )	200	500
	560	10	25	1440	0.045	3000	0.60	5.0	5.0		EEUFC1V561( )	200	500
		12.5	20	1655	0.038	5000	0.60	5.0	5.0		EEUFC1V561S( )	200	500
	680	10	30	1815	0.035	3000	0.60	5.0			EEUFC1V681L	100	
		12.5	20	1655	0.038	5000	0.60	5.0	5.0		EEUFC1V681( )	200	500
		16	15	1690	0.043	5000	0.80	7.5	7.5		EEUFC1V681S( )	100	250
	820	12.5	25	1945	0.030	5000	0.60	5.0	5.0		EEUFC1V821L( )	200	500
		18	15	2000	0.038	5000	0.80	7.5	7.5		EEUFC1V821( )	100	250
	1000	12.5	25	1945	0.030	5000	0.60	5.0	5.0		EEUFC1V102( )	200	500
		16	20	2205	0.029	5000	0.80	7.5	7.5		EEUFC1V102S( )	100	250
	1200	12.5	30	2310	0.025	5000	0.80	5.0			EEUFC1V122L	100	
		16	20	2205	0.029	5000	0.80	7.5	7.5		EEUFC1V122( )	100	250
	1500	12.5	35	2510	0.022	5000	0.80	5.0			EEUFC1V152L	100	
		16	25	2555	0.022	5000	0.80	7.5	7.5		EEUFC1V152( )	100	250
		18	20	2490	0.028	5000	0.80	7.5	7.5		EEUFC1V152S( )	100	250
1800	12.5	40	2655	0.018	5000	0.80	5.0			EEUFC1V182L	100		
	16	25	2555	0.022	5000	0.80	7.5	7.5		EEUFC1V182( )	100	250	
	18	20	2490	0.028	5000	0.80	7.5	7.5		EEUFC1V182S( )	100	250	
2200	16	31.5	3010	0.018	5000	0.80	7.5			EEUFC1V222	100		
	18	25	2740	0.020	5000	0.80	7.5	7.5		EEUFC1V222S( )	100	250	
2700	16	35.5	3150	0.016	5000	0.80	7.5			EEUFC1V272L	100		
	18	31.5	3635	0.016	5000	0.80	7.5			EEUFC1V272	50		
3300	18	35.5	3680	0.015	5000	0.80	7.5			EEUFC1V332	50		
3900	18	40	3735	0.014	5000	0.80	7.5			EEUFC1V392	50		

· When requesting taped product, please put the letter "B" or "H" between the "( )". Lead wire pitch \*B=5 mm, 7.5 mm, H=2.5 mm.

· Please refer to the page of "Taping dimensions".

## Characteristics list

Endurance : 105 °C  $\phi$ 4 to  $\phi$ 6.3=1000 h,  $\phi$ 8=2000 h,  $\phi$ 10=3000 h,  $\phi$ 12.5 to  $\phi$ 18=5000 h

Rated voltage (V.DC)	Cap. ( $\pm 20\%$ ) ( $\mu$ F)	Case size (mm)		Specification			Lead length (mm)			Part No.	Min. Packaging Qty		
		$\phi$ D	L	Ripple current (100 kHz) (+105 °C) (mA r.m.s.)	Impedance (100 kHz) (+20 °C) ( $\Omega$ )	Endurance (hours)	Lead dia. $\phi$ d	Lead space			Straight leads (pcs)	Taping (pcs)	
								Straight	Taping *B				Taping *H
50	2.2	5	11	45	1.800	1000	0.50	2.0	5.0	2.5	EEUFC1H2R2( )	200	2000
	3.3	5	11	65	1.300	1000	0.50	2.0	5.0	2.5	EEUFC1H3R3( )	200	2000
	4.7	5	11	95	1.300	1000	0.50	2.0	5.0	2.5	EEUFC1H4R7( )	200	2000
	10	5	11	125	1.300	1000	0.50	2.0	5.0	2.5	EEUFC1H100L( )	200	2000
	12	5	11	135	1.300	1000	0.50	2.0	5.0	2.5	EEUFC1H120( )	200	2000
	15	5	11	145	1.300	1000	0.50	2.0	5.0	2.5	EEUFC1H150( )	200	2000
	18	5	11	155	1.300	1000	0.50	2.0	5.0	2.5	EEUFC1H180( )	200	2000
	22	5	11	155	1.300	1000	0.50	2.0	5.0	2.5	EEUFC1H220( )	200	2000
	33	6.3	11.2	260	0.600	1000	0.50	2.5	5.0	2.5	EEUFC1H330( )	200	2000
	39	6.3	11.2	260	0.600	1000	0.50	2.5	5.0	2.5	EEUFC1H390( )	200	2000
	47	6.3	11.2	260	0.600	1000	0.50	2.5	5.0	2.5	EEUFC1H470( )	200	2000
	68	8	11.5	485	0.234	2000	0.60	3.5	5.0		EEUFC1H680( )	200	1000
	82	8	11.5	485	0.234	2000	0.60	3.5	5.0		EEUFC1H820( )	200	1000
	100	10	12.5	615	0.162	3000	0.60	5.0	5.0		EEUFC1H101( )	200	500
	120	8	15	635	0.155	2000	0.60	3.5	5.0		EEUFC1H121L( )	200	1000
		10	12.5	615	0.162	3000	0.60	5.0	5.0		EEUFC1H121( )	200	500
	150	10	16	850	0.119	3000	0.60	5.0	5.0		EEUFC1H151( )	200	500
	180	8	20	860	0.120	2000	0.60	3.5	5.0		EEUFC1H181L( )	200	1000
		10	16	850	0.119	3000	0.60	5.0	5.0		EEUFC1H181( )	200	500
	220	10	20	1030	0.090	3000	0.60	5.0	5.0		EEUFC1H221( )	200	500
		12.5	15	1150	0.110	5000	0.60	5.0	5.0		EEUFC1H221S( )	200	500
	270	10	25	1200	0.082	3000	0.60	5.0	5.0		EEUFC1H271( )	200	500
	330	10	30	1610	0.060	3000	0.60	5.0			EEUFC1H331L	100	
		12.5	20	1480	0.063	5000	0.60	5.0	5.0		EEUFC1H331( )	200	500
	390	12.5	20	1480	0.063	5000	0.60	5.0	5.0		EEUFC1H391( )	200	500
		16	15	1610	0.080	5000	0.80	7.5	7.5		EEUFC1H391S( )	100	250
	470	10	30	1610	0.060	3000	0.60	5.0			EEUFC1H471L	100	
12.5		25	1832	0.050	5000	0.60	5.0	5.0		EEUFC1H471( )	200	500	
560	12.5	25	1832	0.050	5000	0.60	5.0	5.0		EEUFC1H561( )	200	500	
	18	15	1900	0.068	5000	0.80	7.5	7.5		EEUFC1H561S( )	100	250	
680	12.5	30	2215	0.040	5000	0.80	5.0			EEUFC1H681L	100		
	16	20	1835	0.048	5000	0.80	7.5	7.5		EEUFC1H681( )	100	250	
820	12.5	35	2285	0.034	5000	0.80	5.0			EEUFC1H821L	100		
	18	20	2420	0.042	5000	0.80	7.5	7.5		EEUFC1H821( )	100	250	
1000	12.5	40	2590	0.030	5000	0.80	5.0			EEUFC1H102L	100		
	16	25	2235	0.034	5000	0.80	7.5	7.5		EEUFC1H102( )	100	250	
1200	16	31.5	2700	0.028	5000	0.80	7.5			EEUFC1H122	100		
	18	25	2610	0.029	5000	0.80	7.5	7.5		EEUFC1H122S( )	100	250	
1500	16	35.5	2790	0.025	5000	0.80	7.5			EEUFC1H152L	100		
1800	16	40	2845	0.023	5000	0.80	7.5			EEUFC1H182L	100		
	18	31.5	3000	0.025	5000	0.80	7.5			EEUFC1H182	50		
2200	18	35.5	3100	0.023	5000	0.80	7.5			EEUFC1H222	50		

· When requesting taped product, please put the letter "B" or "H" between the "( )". Lead wire pitch \*B=5 mm, 7.5 mm, H=2.5 mm.

· Please refer to the page of "Taping dimensions".

## Characteristics list

Endurance : 105 °C  $\phi$ 4 to  $\phi$ 6.3=1000 h,  $\phi$ 8=2000 h,  $\phi$ 10=3000 h,  $\phi$ 12.5 to  $\phi$ 18=5000 h

Rated voltage (V.DC)	Cap. ( $\pm 20\%$ ) ( $\mu$ F)	Case size (mm)		Specification			Lead length (mm)			Part No.	Min. Packaging Qty		
		$\phi$ D	L	Ripple current (100 kHz) (+105 °C) (mA r.m.s.)	Impedance (100 kHz) (+20 °C) ( $\Omega$ )	Endurance (hours)	Lead dia. $\phi$ d	Lead space			Straight leads (pcs)	Taping (pcs)	
								Straight	Taping *B				Taping *H
63	12	5	11	145	2.000	1000	0.50	2.0	5.0	2.5	EEUFC1J120( )	200	2000
	22	6.3	11.2	240	1.000	1000	0.50	2.5	5.0	2.5	EEUFC1J220( )	200	2000
	33	6.3	11.2	240	1.000	1000	0.50	2.5	5.0	2.5	EEUFC1J330( )	200	2000
	47	8	11.5	405	0.342	2000	0.60	3.5	5.0		EEUFC1J470( )	200	1000
	56	8	11.5	405	0.342	2000	0.60	3.5	5.0		EEUFC1J560( )	200	1000
	68	8	11.5	405	0.342	2000	0.60	3.5	5.0		EEUFC1J680( )	200	1000
	82	10	12.5	535	0.256	3000	0.60	5.0	5.0		EEUFC1J820( )	200	500
	100	8	15	535	0.230	2000	0.60	3.5	5.0		EEUFC1J101L( )	200	1000
		10	12.5	535	0.256	3000	0.60	5.0	5.0		EEUFC1J101( )	200	500
	120	10	16	600	0.194	3000	0.60	5.0	5.0		EEUFC1J121( )	200	500
	150	8	20	690	0.178	2000	0.60	3.5	5.0		EEUFC1J151( )	200	1000
	180	10	20	885	0.147	3000	0.60	5.0	5.0		EEUFC1J181( )	200	500
		12.5	15	1020	0.150	5000	0.60	5.0	5.0		EEUFC1J181S( )	200	500
	220	10	20	885	0.147	3000	0.60	5.0	5.0		EEUFC1J221X( )	200	500
		10	25	1050	0.130	3000	0.60	5.0	5.0		EEUFC1J221( )	200	500
	220	12.5	20	1285	0.085	5000	0.60	5.0	5.0		EEUFC1J221S( )	200	500
		270	16	15	1410	0.090	5000	0.80	7.5	7.5		EEUFC1J271( )	100
	330	10	30	1300	0.090	3000	0.60	5.0			EEUFC1J331L	100	
		12.5	20	1285	0.085	5000	0.60	5.0	5.0		EEUFC1J331( )	200	500
	390	12.5	25	1720	0.070	5000	0.60	5.0	5.0		EEUFC1J391( )	200	500
		18	15	1690	0.086	5000	0.80	7.5	7.5		EEUFC1J391S( )	100	250
	470	12.5	30	2090	0.055	5000	0.80	5.0			EEUFC1J471L	100	
		16	20	1765	0.059	5000	0.80	7.5	7.5		EEUFC1J471( )	100	250
	560	16	25	2160	0.050	5000	0.80	7.5	7.5		EEUFC1J561( )	100	250
	680	12.5	35	2265	0.047	5000	0.80	5.0			EEUFC1J681L	100	
		16	25	2160	0.050	5000	0.80	7.5	7.5		EEUFC1J681( )	100	250
		18	20	2290	0.055	5000	0.80	7.5	7.5		EEUFC1J681S( )	100	250
	820	12.5	40	2560	0.042	5000	0.80	5.0			EEUFC1J821L	100	
16		31.5	2670	0.043	5000	0.80	7.5			EEUFC1J821	100		
18		25	2585	0.043	5000	0.80	7.5	7.5		EEUFC1J821S( )	100	250	
1000	16	31.5	2670	0.043	5000	0.80	7.5			EEUFC1J102U	100		
	16	35.5	2770	0.036	5000	0.80	7.5			EEUFC1J102	100		
1200	16	40	2825	0.030	5000	0.80	7.5			EEUFC1J122L	100		
	18	31.5	2950	0.032	5000	0.80	7.5			EEUFC1J122	50		
1500	18	35.5	3095	0.030	5000	0.80	7.5			EEUFC1J152	50		
1800	18	40	3205	0.025	5000	0.80	7.5			EEUFC1J182	50		

· When requesting taped product, please put the letter "B" or "H" between the "( )". Lead wire pitch \*B=5 mm, 7.5 mm, H=2.5 mm.

· Please refer to the page of "Taping dimensions".

## Characteristics list

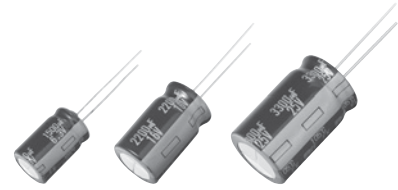
Endurance : 105 °C  $\phi$ 4 to  $\phi$ 6.3=1000 h,  $\phi$ 8=2000 h,  $\phi$ 10=3000 h,  $\phi$ 12.5 to  $\phi$ 18=5000 h

Rated voltage (V.DC)	Cap. ( $\pm 20\%$ ) ( $\mu$ F)	Case size (mm)		Specification			Lead length (mm)				Part No.	Min. Packaging Q'ty	
		$\phi$ D	L	Ripple current (100 kHz) (+105 °C) (mA r.m.s.)	Impedance (100 kHz) (+20 °C) ( $\Omega$ )	Endurance (hours)	Lead dia. $\phi$ d	Lead space				Straight leads (pcs)	Taping (pcs)
								Straight	Taping *B	Taping *H			
100	5.6	5	11	80	4.10	1000	0.5	2.0	5.0	2.5	EEUFC2A5R6( )	200	2000
	12	6.3	11.2	114	1.80	1000	0.5	2.5	5.0	2.5	EEUFC2A120( )	200	2000
	22	8	11.5	260	0.680	2000	0.6	3.5	5.0		EEUFC2A220( )	200	1000
	33	8	15	340	0.450	2000	0.6	3.5	5.0		EEUFC2A330L( )	200	1000
		10	12.5	306	0.530	3000	0.6	5.0	5.0		EEUFC2A330( )	200	500
	39	8	20	455	0.330	2000	0.6	5.0	5.0		EEUFC2A390L( )	200	1000
		10	16	400	0.360	3000	0.6	5.0	5.0		EEUFC2A390( )	200	500
	56	10	20	463	0.240	3000	0.6	5.0	5.0		EEUFC2A560( )	200	500
	68	10	25	599	0.210	3000	0.6	5.0	5.0		EEUFC2A680L( )	200	500
		12.5	15	511	0.230	5000	0.6	5.0	5.0		EEUFC2A680( )	200	500
	100	10	30	698	0.150	3000	0.6	5.0			EEUFC2A101L	100	
		12.5	20	671	0.180	5000	0.6	5.0	5.0		EEUFC2A101( )	200	500
	120	16	15	793	0.140	5000	0.8	7.5	7.5		EEUFC2A121S( )	100	250
	150	12.5	25	807	0.110	5000	0.6	5.0	5.0		EEUFC2A151( )	200	500
		18	15	917	0.120	5000	0.8	7.5	7.5		EEUFC2A151S( )	100	250
	180	12.5	30	937	0.098	5000	0.8	5.0			EEUFC2A181L	100	
		16	20	995	0.110	5000	0.8	7.5	7.5		EEUFC2A181( )	100	250
	220	12.5	35	1040	0.087	5000	0.8	5.0			EEUFC2A221L	100	
		16	25	1170	0.089	5000	0.8	7.5	7.5		EEUFC2A221( )	100	250
	270	12.5	40	1130	0.072	5000	0.8	5.0			EEUFC2A271L	100	
18		20	1230	0.080	5000	0.8	7.5	7.5		EEUFC2A271S( )	100	250	
330	16	31.5	1520	0.062	5000	0.8	7.5			EEUFC2A331	100		
	18	25	1420	0.070	5000	0.8	7.5	7.5		EEUFC2A331S( )	100	250	
390	16	35.5	1730	0.053	5000	0.8	7.5			EEUFC2A391L	100		
	18	31.5	1600	0.062	5000	0.8	7.5			EEUFC2A391	50		
470	16	40	1920	0.047	5000	0.8	7.5			EEUFC2A471	100		
560	18	35.5	1770	0.041	5000	0.8	7.5			EEUFC2A561	50		
680	18	40	2300	0.036	5000	0.8	7.5			EEUFC2A681	50		

- When requesting taped product, please put the letter "B" or "H" between the "( )". Lead wire pitch \*B=5 mm, 7.5 mm, H=2.5 mm.
- Please refer to the page of "Taping dimensions".

## Radial Lead Type

Series : **FK** Type : **A**



### Features

- Low impedance (10 % to 30 % less than FC Series)  
Miniaturization (30 % to 40 % less than FC Series)
- Endurance : 105 °C 3000 h to 5000 h
- RoHS compliant

### Specifications

Category temperature range	-55 °C to +105 °C						
Rated voltage range	6.3 V.DC to 35 V.DC						
Capacitance range	180 μF to 12000 μF						
Capacitance tolerance	±20 % (120 Hz/+20 °C)						
Leakage current	$I \leq 0.01 CV (\mu A)$ After 2 minutes						
Dissipation factor (tan δ)	V.DC	6.3	10	16	25	35	(120 Hz/+20 °C)
	tan δ	0.22	0.19	0.16	0.14	0.12	
Add 0.02 per 1000 μF for products of 1000 μF or more.							
Endurance	After following life test with DC voltage and +105 °C±2 °C ripple current value applied (The sum of DC and ripple peak voltage shall not exceed the rated working voltage), when the capacitors are restored to 20 °C, the capacitors shall meet the limits specified bellow. Duration : φ8: 3000 hours , φ10: 4000 hours , φ12.5 to φ18: 5000 hours						
	Capacitance change	Within ±20 % of the initial value					
	tan δ	≤ 200 % of the initial limit					
	DC leakage current	Within the initial limit					
Shelf life	After storage for 1000 hours at +105 °C±2 °C with no voltage applied and then being stabilized at +20 °C, capacitors shall meet the limits specified in Endurance. (With voltage treatment)						
AEC-Q200	AEC-Q200 compliant						

### Frequency correction factor for ripple current

Rated voltage (V.DC)	Capacitance (μF)	Frequency (Hz)				
		60	120	1 k	10 k	100 k
6.3 to 35	180 to 330	0.60	0.70	0.85	0.95	1.00
	390 to 1000	0.65	0.75	0.90	0.98	1.00
	1200 to 12000	0.75	0.80	0.95	1.00	1.00

### Dimensions

(Unit : mm)

	8	10	12.5	16	18
φD	8	10	12.5	16	18
L	—	—	12.5 to 25	30 to 40	—
φd	0.6	0.6	0.6	0.8	0.8
F	3.5	5.0	5.0	5.0	7.5

**Case size/ Impedance/ Ripple current**

Case size (mm) ( $\phi$ D×L)	Impedance ( $\Omega$ )/(100 kHz)		Ripple current (mA r.m.s.)/(100 kHz)
	+20 °C	-10 °C	+105 °C
8 × 11.5	0.090	0.180	630
8 × 15	0.062	0.124	860
8 × 20	0.044	0.088	1220
10 × 12.5	0.063	0.126	900
10 × 16	0.049	0.098	1240
10 × 20	0.035	0.070	1490
10 × 25	0.033	0.066	1680
10 × 30	0.025	0.050	2140
12.5 × 15	0.048	0.096	1400
12.5 × 20	0.029	0.058	1890
12.5 × 25	0.022	0.044	2280
12.5 × 30	0.018	0.036	2720
12.5 × 35	0.016	0.032	2940
12.5 × 40	0.014	0.028	3010
16 × 15	0.038	0.076	1800
16 × 20	0.026	0.052	2330
16 × 25	0.019	0.038	2760
18 × 15	0.036	0.072	2060
18 × 20	0.025	0.050	2640
18 × 25	0.018	0.036	2850

## Characteristics list

Endurance : 105 °C  $\phi$ 8=3000 h,  $\phi$ 10=4000 h,  $\phi$ 12.5 to  $\phi$ 18=5000 h

Rated voltage (V.DC)	Cap. ( $\pm 20\%$ ) ( $\mu$ F)	Case size (mm)		Specification			Lead length (mm)			Part No.	Min. Packaging Q'ty	
		$\phi$ D	L	Ripple current (100 kHz) (+105 °C) (mA r.m.s.)	Impedance (100 kHz) (+20 °C) ( $\Omega$ )	Endurance (hours)	Lead dia. $\phi$ d	Lead space			Straight leads (pcs)	Taping (pcs)
								Straight	Taping *B			
6.3	680	8	11.5	630	0.090	3000	0.6	3.5	5.0	EEUFK0J681( )	200	1000
	1000	8	15	860	0.062	3000	0.6	3.5	5.0	EEUFK0J102L( )	200	1000
		10	12.5	900	0.063	4000	0.6	5.0	5.0	EEUFK0J102( )	200	500
	1500	8	20	1220	0.044	3000	0.6	3.5	5.0	EEUFK0J152L( )	200	1000
		10	16	1240	0.049	4000	0.6	5.0	5.0	EEUFK0J152( )	200	500
	1800	12.5	15	1400	0.048	5000	0.6	5.0	5.0	EEUFK0J182S( )	200	500
	2200	10	20	1490	0.035	4000	0.6	5.0	5.0	EEUFK0J222( )	200	500
		10	25	1680	0.033	4000	0.6	5.0	5.0	EEUFK0J222L( )	200	500
	3300	10	30	2140	0.025	4000	0.6	5.0		EEUFK0J332L	100	
		12.5	20	1890	0.029	5000	0.6	5.0	5.0	EEUFK0J332( )	200	500
		16	15	1800	0.038	5000	0.8	7.5	7.5	EEUFK0J332S( )	100	250
	4700	12.5	25	2280	0.022	5000	0.6	5.0	5.0	EEUFK0J472( )	200	500
		18	15	2060	0.036	5000	0.8	7.5	7.5	EEUFK0J472S( )	100	250
	5600	12.5	30	2720	0.018	5000	0.8	5.0		EEUFK0J562L	100	
		16	20	2330	0.026	5000	0.8	7.5	7.5	EEUFK0J562S( )	100	250
	6800	12.5	35	2940	0.016	5000	0.8	5.0		EEUFK0J682L	100	
	8200	12.5	40	3010	0.014	5000	0.8	5.0		EEUFK0J822L	100	
		16	25	2760	0.019	5000	0.8	7.5	7.5	EEUFK0J822( )	100	250
		18	20	2640	0.025	5000	0.8	7.5	7.5	EEUFK0J822S( )	100	250
	12000	18	25	2850	0.018	5000	0.8	7.5	7.5	EEUFK0J123S( )	100	250
10	560	8	11.5	630	0.090	3000	0.6	3.5	5.0	EEUFK1A561( )	200	1000
	820	8	15	860	0.062	3000	0.6	3.5	5.0	EEUFK1A821L( )	200	1000
		10	12.5	900	0.063	4000	0.6	5.0	5.0	EEUFK1A821( )	200	500
	1200	8	20	1220	0.044	3000	0.6	3.5	5.0	EEUFK1A122L( )	200	1000
		10	16	1240	0.049	4000	0.6	5.0	5.0	EEUFK1A122( )	200	500
	1500	12.5	15	1400	0.048	5000	0.6	5.0	5.0	EEUFK1A152S( )	200	500
	1800	10	20	1490	0.035	4000	0.6	5.0	5.0	EEUFK1A182( )	200	500
		10	25	1680	0.033	4000	0.6	5.0	5.0	EEUFK1A182L( )	200	500
	2700	10	30	2140	0.025	4000	0.6	5.0		EEUFK1A272L	100	
		12.5	20	1890	0.029	5000	0.6	5.0	5.0	EEUFK1A272( )	200	500
		16	15	1800	0.038	5000	0.8	7.5	7.5	EEUFK1A272S( )	100	250
	3900	12.5	25	2280	0.022	5000	0.6	5.0	5.0	EEUFK1A392( )	200	500
		18	15	2060	0.036	5000	0.8	7.5	7.5	EEUFK1A392S( )	100	250
	4700	12.5	30	2720	0.018	5000	0.8	5.0		EEUFK1A472L	100	
		16	20	2330	0.026	5000	0.8	7.5	7.5	EEUFK1A472S( )	100	250
	5600	12.5	35	2940	0.016	5000	0.8	5.0		EEUFK1A562L	100	
	6800	12.5	40	3010	0.014	5000	0.8	5.0		EEUFK1A682L	100	
		16	25	2760	0.019	5000	0.8	7.5	7.5	EEUFK1A682( )	100	250
		18	20	2640	0.025	5000	0.8	7.5	7.5	EEUFK1A682S( )	100	250
	8200	18	25	2850	0.018	5000	0.8	7.5	7.5	EEUFK1A822S( )	100	250

· When requesting taped product, please put the letter "B" between the "( )". Lead wire pitch \*B=5 mm, 7.5 mm.  
 · Please refer to the page of "Taping dimensions".

## Characteristics list

Endurance : 105 °C ϕ8=3000 h, ϕ10=4000 h, ϕ12.5 to ϕ18=5000 h

Rated voltage (V.DC)	Cap. (±20 %) (μF)	Case size (mm)		Specification			Lead length (mm)			Part No.	Min. Packaging Q'ty	
		ϕD	L	Ripple current (100 kHz) (+105 °C) (mA r.m.s.)	Impedance (100 kHz) (+20 °C) (Ω)	Endurance (hours)	Lead dia. ϕd	Lead space			Straight leads (pcs)	Taping (pcs)
								Straight	Taping *B			
16	390	8	11.5	630	0.090	3000	0.6	3.5	5.0	EEUFK1C391( )	200	1000
	680	8	15	860	0.062	3000	0.6	3.5	5.0	EEUFK1C681L( )	200	1000
		10	12.5	900	0.063	4000	0.6	5.0	5.0	EEUFK1C681( )	200	500
	820	8	20	1220	0.044	3000	0.6	3.5	5.0	EEUFK1C821L( )	200	1000
	1000	10	16	1240	0.049	4000	0.6	5.0	5.0	EEUFK1C102( )	200	500
	1200	10	20	1490	0.035	4000	0.6	5.0	5.0	EEUFK1C122( )	200	500
		12.5	15	1400	0.048	5000	0.6	5.0	5.0	EEUFK1C122S( )	200	500
	1500	10	25	1680	0.033	4000	0.6	5.0	5.0	EEUFK1C152L( )	200	500
	2200	10	30	2140	0.025	4000	0.6	5.0		EEUFK1C222L	100	
		12.5	20	1890	0.029	5000	0.6	5.0	5.0	EEUFK1C222( )	200	500
		16	15	1800	0.038	5000	0.8	7.5	7.5	EEUFK1C222S( )	100	250
	2700	12.5	25	2280	0.022	5000	0.6	5.0	5.0	EEUFK1C272( )	200	500
		18	15	2060	0.036	5000	0.8	7.5	7.5	EEUFK1C272S( )	100	250
	3300	12.5	30	2720	0.018	5000	0.8	5.0		EEUFK1C332L	100	
	3900	12.5	35	2940	0.016	5000	0.8	5.0		EEUFK1C392L	100	
		16	20	2330	0.026	5000	0.8	7.5	7.5	EEUFK1C392S( )	100	250
	4700	12.5	40	3010	0.014	5000	0.8	5.0		EEUFK1C472L	100	
		18	20	2640	0.025	5000	0.8	7.5	7.5	EEUFK1C472S( )	100	250
5600	16	25	2760	0.019	5000	0.8	7.5	7.5	EEUFK1C562( )	100	250	
6800	18	25	2850	0.018	5000	0.8	7.5	7.5	EEUFK1C682S( )	100	250	
25	270	8	11.5	630	0.090	3000	0.6	3.5	5.0	EEUFK1E271( )	200	1000
	390	8	15	860	0.062	3000	0.6	3.5	5.0	EEUFK1E391L( )	200	1000
	470	10	12.5	900	0.063	4000	0.6	5.0	5.0	EEUFK1E471( )	200	500
	560	8	20	1220	0.044	3000	0.6	3.5	5.0	EEUFK1E561L( )	200	1000
		10	16	1240	0.049	4000	0.6	5.0	5.0	EEUFK1E561( )	200	500
	820	10	20	1490	0.035	4000	0.6	5.0	5.0	EEUFK1E821( )	200	500
		12.5	15	1400	0.048	5000	0.6	5.0	5.0	EEUFK1E821S( )	200	500
	1000	10	25	1680	0.033	4000	0.6	5.0	5.0	EEUFK1E102L( )	200	500
	1200	12.5	20	1890	0.029	5000	0.6	5.0	5.0	EEUFK1E122( )	200	500
	1500	10	30	2140	0.025	4000	0.6	5.0		EEUFK1E152L	100	
		16	15	1800	0.038	5000	0.8	7.5	7.5	EEUFK1E152S( )	100	250
	1800	12.5	25	2280	0.022	5000	0.6	5.0	5.0	EEUFK1E182( )	200	500
		18	15	2060	0.036	5000	0.8	7.5	7.5	EEUFK1E182S( )	100	250
	2200	12.5	30	2720	0.018	5000	0.8	5.0		EEUFK1E222L	100	
		16	20	2330	0.026	5000	0.8	7.5	7.5	EEUFK1E222S( )	100	250
	2700	12.5	35	2940	0.016	5000	0.8	5.0		EEUFK1E272L	100	
	3300	12.5	40	3010	0.014	5000	0.8	5.0		EEUFK1E332L	100	
		16	25	2760	0.019	5000	0.8	7.5	7.5	EEUFK1E332( )	100	250
18		20	2640	0.025	5000	0.8	7.5	7.5	EEUFK1E332S( )	100	250	
4700	18	25	2850	0.018	5000	0.8	7.5	7.5	EEUFK1E472S( )	100	250	

- When requesting taped product, please put the letter "B" between the "( )". Lead wire pitch \*B=5 mm, 7.5 mm.
- Please refer to the page of "Taping dimensions".

## Characteristics list

Endurance : 105 °C  $\phi$ 8=3000 h,  $\phi$ 10=4000 h,  $\phi$ 12.5 to  $\phi$ 18=5000 h

Rated voltage (V.DC)	Cap. ( $\pm$ 20 %) ( $\mu$ F)	Case size (mm)		Specification			Lead length (mm)			Part No.	Min. Packaging Q'ty	
		$\phi$ D	L	Ripple current (100 kHz) (+105 °C) (mA r.m.s.)	Impedance (100 kHz) (+20 °C) ( $\Omega$ )	Endurance (hours)	Lead dia. $\phi$ d	Lead space			Straight leads (pcs)	Taping (pcs)
								Straight	Taping *B			
35	180	8	11.5	630	0.090	3000	0.6	3.5	5.0	EEUFK1V181( )	200	1000
	270	8	15	860	0.062	3000	0.6	3.5	5.0	EEUFK1V271L( )	200	1000
		10	12.5	900	0.063	4000	0.6	5.0	5.0	EEUFK1V271( )	200	500
	390	8	20	1220	0.044	3000	0.6	3.5	5.0	EEUFK1V391L( )	200	1000
		10	16	1240	0.049	4000	0.6	5.0	5.0	EEUFK1V391( )	200	500
	560	10	20	1490	0.035	4000	0.6	5.0	5.0	EEUFK1V561( )	200	500
		12.5	15	1400	0.048	5000	0.6	5.0	5.0	EEUFK1V561S( )	200	500
	680	10	25	1680	0.033	4000	0.6	5.0	5.0	EEUFK1V681L( )	200	500
	820	12.5	20	1890	0.029	5000	0.6	5.0	5.0	EEUFK1V821( )	200	500
	1000	10	30	2140	0.025	4000	0.6	5.0		EEUFK1V102L	100	
		16	15	1800	0.038	5000	0.8	7.5	7.5	EEUFK1V102S( )	100	250
	1200	12.5	25	2280	0.022	5000	0.6	5.0	5.0	EEUFK1V122( )	200	500
		18	15	2060	0.036	5000	0.8	7.5	7.5	EEUFK1V122S( )	100	250
	1500	12.5	30	2720	0.018	5000	0.8	5.0		EEUFK1V152L	100	
	1800	12.5	35	2940	0.016	5000	0.8	5.0		EEUFK1V182L	100	
		16	20	2330	0.026	5000	0.8	7.5	7.5	EEUFK1V182S( )	100	250
	2200	12.5	40	3010	0.014	5000	0.8	5.0		EEUFK1V222L	100	
		16	25	2760	0.019	5000	0.8	7.5	7.5	EEUFK1V222( )	100	250
		18	20	2640	0.025	5000	0.8	7.5	7.5	EEUFK1V222S( )	100	250
	3300	18	25	2850	0.018	5000	0.8	7.5	7.5	EEUFK1V332S( )	100	250

- When requesting taped product, please put the letter "B" between the "( )". Lead wire pitch \*B=5 mm, 7.5 mm.
- Please refer to the page of "Taping dimensions".

## Radial Lead Type

Series : **FM** Type : **A**



### Features

- Low impedance (40 % to 70 % less than FC Series)
- Endurance : 105 °C 2000 h to 7000 h
- RoHS compliant

### Attention

- Not applicable for automotive

### Specifications

Category temperature range	-40 °C to +105 °C							
Rated voltage range	6.3 V.DC to 50 V.DC							
Capacitance range	22 µF to 6800 µF							
Capacitance tolerance	±20 % (120 Hz/+20 °C)							
Leakage current	I ≤ 0.01 CV (µA) After 2 minutes							
Dissipation factor (tan δ)	V.DC	6.3	10	16	25	35	50	(max.) (120 Hz/+20 °C)
	tan δ	0.22	0.19	0.16	0.14	0.12	0.10	
Add 0.02 per 1000 µF for products of 1000 µF or more.								
Endurance	After following life test with DC voltage and +105 °C±2 °C ripple current value applied. (The sum of DC and ripple peak voltage shall not exceed the rated working voltage) when the capacitors are restored to 20 °C, the capacitors shall meet the limits specified below.							
	Duration							
	φ5 to φ6.3 : 2000 hours, φ8×11.5 to φ8×15: 3000 hours							
	φ8×20 to φ10×16 : 4000 hours, φ10×20 to φ12.5×20/ φ16×20 : 5000 hours φ12.5×25 to φ12.5×35/ φ16×25 : 7000 hours							
Capacitance change	Within ±25 % of the initial value (6.3 V.DC to 10 V.DC : ±30 %)							
tan δ	≤ 200 % of the initial limit							
DC leakage current	Within the initial limit							
Shelf life	After storage for 1000 hours at +105 °C±2 °C with no voltage applied and then being stabilized at +20 °C, capacitors shall meet the limits specified in Endurance. (With voltage treatment)							

### Frequency correction factor for ripple current

Rated voltage (V.DC)	Capacitance (µF)	Frequency (Hz)				
		60	120	1 k	10 k	100 k
6.3 to 50	22 to 33	0.45	0.55	0.75	0.90	1.00
	47 to 330	0.60	0.70	0.85	0.95	1.00
	390 to 1000	0.65	0.75	0.90	0.98	1.00
	1200 to 6800	0.75	0.80	0.95	1.00	1.00

### Dimensions

(Unit : mm)

φD	5	6.3	8	10	12.5		16
L	—	—	—	—	12.5 to 25	30 to 40	—
φd	0.5	0.5	0.6	0.6	0.6	0.8	0.8
F	2.0	2.5	3.5	5.0	5.0		7.5

**Case size/ Impedance/ Ripple current**

Rated voltage (V.DC)	Case size (mm) ( $\phi$ D×L)	6.3 V.DC to 35 V.DC			50 V.DC		
		Impedance ( $\Omega$ /100 kHz)		Ripple current (mA r.m.s./100 kHz)	Impedance ( $\Omega$ /100 kHz)		Ripple current (mA r.m.s./100 kHz)
		+20 °C	-10 °C	+105 °C	+20 °C	-10 °C	+105 °C
	5 × 11	0.300	1.000	280	0.340	1.130	250
	6.3 × 11.2	0.130	0.430	455	0.140	0.460	405
	8 × 11.5	0.056	0.168	950	0.061	0.183	870
	8 × 15	0.041	0.123	1240	0.045	0.135	1140
	8 × 20	0.030	0.090	1560	0.033	0.099	1430
	10 × 12.5	0.038	0.114	1290	0.042	0.126	1170
	10 × 16	0.026	0.078	1790	0.030	0.090	1650
	10 × 20	0.019	0.057	2180	0.023	0.069	1890
	10 × 25	0.018	0.054	2470	0.022	0.066	2150
	12.5 × 20	0.018	0.045	2600	0.022	0.055	2260
	12.5 × 25	0.015	0.038	3190	0.018	0.045	2660
	12.5 × 30	0.013	0.033	3630	0.016	0.040	3160
	12.5 × 35	0.012	0.030	3750	0.014	0.035	3270
	16 × 20	0.017	0.043	3300	0.019	0.048	2870
	16 × 25	0.014	0.035	3820	0.016	0.040	3320

## Characteristics list

Rated voltage (V.DC)	Cap. (±20 %) (μF)	Case size (mm)		Specification			Lead length (mm)			Part No.	Min. Packaging Qty		
		φD	L	Ripple current (100 kHz) (+105 °C) (mA r.m.s.)	Impedance (100 kHz) (+20 °C) (Ω)	Endurance (hours)	Lead dia. φd	Lead space			Long lead (pcs)	Taping (pcs)	
								Straight	Taping *B				Taping *H
6.3	150	5	11	280	0.300	2000	0.5	2.0	5.0	2.5	EEUFM0J151( )	200	2000
	330	6.3	11.2	455	0.130	2000	0.5	2.5	5.0	2.5	EEUFM0J331( )	200	2000
	560	8	11.5	950	0.056	3000	0.6	3.5	5.0		EEUFM0J561( )	200	1000
	820	8	15	1240	0.041	3000	0.6	3.5	5.0		EEUFM0J821L( )	200	1000
	1000	10	12.5	1290	0.038	4000	0.6	5.0	5.0		EEUFM0J102( )	200	500
	1200	8	20	1560	0.030	4000	0.6	3.5	5.0		EEUFM0J122L( )	200	1000
		10	16	1790	0.026	4000	0.6	5.0	5.0		EEUFM0J122( )	200	500
	1500	10	20	2180	0.019	5000	0.6	5.0	5.0		EEUFM0J152( )	200	500
	2200	10	25	2470	0.018	5000	0.6	5.0	5.0		EEUFM0J222L( )	200	500
	3300	12.5	20	2600	0.018	5000	0.6	5.0	5.0		EEUFM0J332( )	200	500
	3900	12.5	25	3190	0.015	7000	0.6	5.0	5.0		EEUFM0J392( )	200	500
	4700	12.5	30	3630	0.013	7000	0.8	5.0			EEUFM0J472L	100	
	5600	12.5	35	3750	0.012	7000	0.8	5.0			EEUFM0J562L	100	
		16	20	3300	0.017	5000	0.8	7.5	7.5		EEUFM0J562S( )	100	250
	6800	16	25	3820	0.014	7000	0.8	7.5	7.5		EEUFM0J682( )	100	250
10	100	5	11	280	0.300	2000	0.5	2.0	5.0	2.5	EEUFM1A101( )	200	2000
	220	6.3	11.2	455	0.130	2000	0.5	2.5	5.0	2.5	EEUFM1A221( )	200	2000
	470	8	11.5	950	0.056	3000	0.6	3.5	5.0		EEUFM1A471( )	200	1000
	680	8	15	1240	0.041	3000	0.6	3.5	5.0		EEUFM1A681L( )	200	1000
		10	12.5	1290	0.038	4000	0.6	5.0	5.0		EEUFM1A681( )	200	500
	1000	8	20	1560	0.030	4000	0.6	3.5	5.0		EEUFM1A102L( )	200	1000
		10	16	1790	0.026	4000	0.6	5.0	5.0		EEUFM1A102( )	200	500
	1200	10	20	2180	0.019	5000	0.6	5.0	5.0		EEUFM1A122( )	200	500
	1500	10	25	2470	0.018	5000	0.6	5.0	5.0		EEUFM1A152L( )	200	500
	2200	12.5	20	2600	0.018	5000	0.6	5.0	5.0		EEUFM1A222( )	200	500
	3300	12.5	25	3190	0.015	7000	0.6	5.0	5.0		EEUFM1A332( )	200	500
	3900	12.5	30	3630	0.013	7000	0.8	5.0			EEUFM1A392L	100	
		16	20	3300	0.017	5000	0.8	7.5	7.5		EEUFM1A392S( )	100	250
	4700	12.5	35	3750	0.012	7000	0.8	5.0			EEUFM1A472L	100	
	5600	16	25	3820	0.014	7000	0.8	7.5	7.5		EEUFM1A562( )	100	250
16	68	5	11	280	0.300	2000	0.5	2.0	5.0	2.5	EEUFM1C680( )	200	2000
	120	6.3	11.2	455	0.130	2000	0.5	2.5	5.0	2.5	EEUFM1C121( )	200	2000
	330	8	11.5	950	0.056	3000	0.6	3.5	5.0		EEUFM1C331( )	200	1000
	470	8	15	1240	0.041	3000	0.6	3.5	5.0		EEUFM1C471L( )	200	1000
		10	12.5	1290	0.038	4000	0.6	5.0	5.0		EEUFM1C471( )	200	500
	680	8	20	1560	0.030	4000	0.6	3.5	5.0		EEUFM1C681L( )	200	1000
		10	16	1790	0.026	4000	0.6	5.0	5.0		EEUFM1C681( )	200	500
	1000	10	20	2180	0.019	5000	0.6	5.0	5.0		EEUFM1C102( )	200	500
	1200	10	25	2470	0.018	5000	0.6	5.0	5.0		EEUFM1C122L( )	200	500
	1500	12.5	20	2600	0.018	5000	0.6	5.0	5.0		EEUFM1C152( )	200	500
	2200	12.5	25	3190	0.015	7000	0.6	5.0	5.0		EEUFM1C222( )	200	500
	2700	12.5	30	3630	0.013	7000	0.8	5.0			EEUFM1C272L	100	
		16	20	3300	0.017	5000	0.8	7.5	7.5		EEUFM1C272S( )	100	250
	3300	12.5	35	3750	0.012	7000	0.8	5.0			EEUFM1C332L	100	
	3900	16	25	3820	0.014	7000	0.8	7.5	7.5		EEUFM1C392( )	100	250

· When requesting taped product, please put the letter "B" or "H" between the "( )". Lead wire pitch \*B=5 mm, 7.5 mm, H=2.5 mm.

· Please refer to the page of "Taping dimensions".

## Characteristics list

Rated voltage (V.DC)	Cap. (±20 %) (μF)	Case size (mm)		Specification			Lead length (mm)				Part No.	Min. Packaging Qty	
		φD	L	Ripple current (100 kHz) (+105 °C) (mA r.m.s.)	Impedance (100 kHz) (+20 °C) (Ω)	Endurance (hours)	Lead dia. φd	Lead space				Long lead (pcs)	Taping (pcs)
								Straight	Taping *B	Taping *H			
25	47	5	11	280	0.300	2000	0.5	2.0	5.0	2.5	EEUFM1E470( )	200	2000
	100	6.3	11.2	455	0.130	2000	0.5	2.5	5.0	2.5	EEUFM1E101( )	200	2000
	220	8	11.5	950	0.056	3000	0.6	3.5	5.0		EEUFM1E221( )	200	1000
	330	8	15	1240	0.041	3000	0.6	3.5	5.0		EEUFM1E331L( )	200	1000
		10	12.5	1290	0.038	4000	0.6	5.0	5.0		EEUFM1E331( )	200	500
	470	8	20	1560	0.030	4000	0.6	3.5	5.0		EEUFM1E471L( )	200	1000
		10	16	1790	0.026	4000	0.6	5.0	5.0		EEUFM1E471( )	200	500
	680	10	20	2180	0.019	5000	0.6	5.0	5.0		EEUFM1E681( )	200	500
	820	10	25	2470	0.018	5000	0.6	5.0	5.0		EEUFM1E821L( )	200	500
	1000	12.5	20	2600	0.018	5000	0.6	5.0	5.0		EEUFM1E102( )	200	500
	1500	12.5	25	3190	0.015	7000	0.6	5.0	5.0		EEUFM1E152( )	200	500
	1800	12.5	30	3630	0.013	7000	0.8	5.0			EEUFM1E182L	100	
		16	20	3300	0.017	5000	0.8	7.5	7.5		EEUFM1E182S( )	100	250
	2200	12.5	35	3750	0.012	7000	0.8	5.0			EEUFM1E222L	100	
2700	16	25	3820	0.014	7000	0.8	7.5	7.5		EEUFM1E272( )	100	250	
35	33	5	11	280	0.300	2000	0.5	2.0	5.0	2.5	EEUFM1V330( )	200	2000
	68	6.3	11.2	455	0.130	2000	0.5	2.5	5.0	2.5	EEUFM1V680( )	200	2000
	150	8	11.5	950	0.056	3000	0.6	3.5	5.0		EEUFM1V151( )	200	1000
	220	8	15	1240	0.041	3000	0.6	3.5	5.0		EEUFM1V221L( )	200	1000
		10	12.5	1290	0.038	4000	0.6	5.0	5.0		EEUFM1V221( )	200	500
	330	8	20	1560	0.030	4000	0.6	3.5	5.0		EEUFM1V331L( )	200	1000
		10	16	1790	0.026	4000	0.6	5.0	5.0		EEUFM1V331( )	200	500
	470	10	20	2180	0.019	5000	0.6	5.0	5.0		EEUFM1V471( )	200	500
	560	10	25	2470	0.018	5000	0.6	5.0	5.0		EEUFM1V561L( )	200	500
	680	12.5	20	2600	0.018	5000	0.6	5.0	5.0		EEUFM1V681( )	200	500
	1000	12.5	25	3190	0.015	7000	0.6	5.0	5.0		EEUFM1V102( )	200	500
	1200	12.5	30	3630	0.013	7000	0.8	5.0			EEUFM1V122L	100	
		16	20	3300	0.017	5000	0.8	7.5	7.5		EEUFM1V122S( )	100	250
	1500	12.5	35	3750	0.012	7000	0.8	5.0			EEUFM1V152L	100	
1800	16	25	3820	0.014	7000	0.8	7.5	7.5		EEUFM1V182( )	100	250	
50	22	5	11	250	0.340	2000	0.5	2.0	5.0	2.5	EEUFM1H220( )	200	2000
	56	6.3	11.2	405	0.140	2000	0.5	2.5	5.0	2.5	EEUFM1H560( )	200	2000
	100	8	11.5	870	0.061	3000	0.6	3.5	5.0		EEUFM1H101( )	200	1000
	120	8	15	1140	0.045	3000	0.6	3.5	5.0		EEUFM1H121L( )	200	1000
	150	10	12.5	1170	0.042	4000	0.6	5.0	5.0		EEUFM1H151( )	200	500
	180	8	20	1430	0.033	4000	0.6	3.5	5.0		EEUFM1H181L( )	200	1000
	220	10	16	1650	0.030	4000	0.6	5.0	5.0		EEUFM1H221( )	200	500
	270	10	20	1890	0.023	5000	0.6	5.0	5.0		EEUFM1H271( )	200	500
	330	10	25	2150	0.022	5000	0.6	5.0	5.0		EEUFM1H331L( )	200	500
	470	12.5	20	2260	0.022	5000	0.6	5.0	5.0		EEUFM1H471( )	200	500
	560	12.5	25	2660	0.018	7000	0.6	5.0	5.0		EEUFM1H561( )	200	500
	680	12.5	30	3160	0.016	7000	0.8	5.0			EEUFM1H681L	100	
	820	12.5	35	3270	0.014	7000	0.8	5.0			EEUFM1H821L	100	
		16	20	2870	0.019	5000	0.8	7.5	7.5		EEUFM1H821S( )	100	250
1000	16	25	3320	0.016	7000	0.8	7.5	7.5		EEUFM1H102( )	100	250	

· When requesting taped product, please put the letter "B" or "H" between the "( )". Lead wire pitch \*B=5 mm, 7.5 mm, H=2.5 mm.

· Please refer to the page of "Taping dimensions".

## Radial Lead Type

Series : **FR** Type : **A**



### Features

- Low ESR (Same as FM Series)
- Endurance : 105 °C 5000 h to 10000 h
- RoHS compliant

### Country of origin

- Malaysia

### Attention

- Not applicable for automotive

### Specifications

Category temperature range	-40 °C to +105 °C									
Rated voltage range	6.3 V.DC to 100 V.DC									
Capacitance range	4.7 µF to 8200 µF									
Capacitance tolerance	±20 % (120 Hz/+20 °C)									
Leakage current	I ≤ 0.01 CV (µA) After 2 minutes									
Dissipation factor (tan δ)	V.DC	6.3	10	16	25	35	50	63	100	(120 Hz/+20 °C)
	tan δ	0.22	0.19	0.16	0.14	0.12	0.10	0.09	0.08	
Add 0.02 per 1000 µF for products of 1000 µF or more.										
Endurance	After following life test with DC voltage and +105 °C±2 °C ripple current value applied. (The sum of DC and ripple peak voltage shall not exceed the rated working voltage) when the capacitors are restored to 20 °C, the capacitors shall meet the limits specified below.									
	Duration									
	φ5×11/ φ6.3×11.2 : 5000 hours φ8×11.5/ φ10×12.5 : 6000 hours (* Only EEUFR1V331U (φ10×12.5) 5000 hours) φ8×15/ φ10×16 : 8000 hours, φ8×20 : 9000 hours φ10×20 to φ10×25/ φ12.5×20 to φ12.5×35/ φ16×20 to φ16×25 : 10000 hours									
	Capacitance change	Within ±25 % of the initial value (6.3 V.DC to 10 V.DC : ±30 %)								
	tan δ	≤ 200 % of the initial limit								
	DC leakage current	Within the initial limit								
Shelf life	After storage for 1000 hours at +105 °C±2 °C with no voltage applied and then being stabilized at +20 °C, capacitors shall meet the limits specified in Endurance. (With voltage treatment)									

### Frequency correction factor for ripple current

Rated voltage (V.DC)	Capacitance (µF)	Frequency (Hz)				
		60	120	1 k	10 k	100 k
6.3 to 100	4.7 to 33	0.45	0.55	0.75	0.90	1.00
	47 to 330	0.60	0.70	0.85	0.95	1.00
	390 to 1000	0.65	0.75	0.90	0.98	1.00
	1200 to 8200	0.75	0.80	0.95	1.00	1.00

### Dimensions

	5	6.3	8	10	12.5		16
φD	5	6.3	8	10	12.5		16
L	—	—	—	—	12.5 to 25	30 to 35	—
φd	0.5	0.5	0.6	0.6	0.6	0.8	0.8
F	2.0	2.5	3.5	5.0	5.0		7.5

(Unit : mm)

## Case size/ Impedance/ Ripple current

Rated voltage (V.DC)	6.3 V.DC to 35 V.DC			50 V.DC		
	Impedance ( $\Omega$ /100 kHz)		Ripple current (mA r.m.s./100 kHz)	Impedance ( $\Omega$ /100 kHz)		Ripple current (mA r.m.s./100 kHz)
	+20 °C	-10 °C	+105 °C	+20 °C	-10 °C	+105 °C
Case size (mm) ( $\phi$ D×L)						
5 × 11	0.300	1.000	280	0.340	1.130	250
6.3 × 11.2	0.130	0.430	455	0.140	0.460	405
8 × 11.5	0.056	0.168	950	0.061	0.183	870
8 × 15	0.041	0.123	1240	0.045	0.135	1140
8 × 20	0.030	0.090	1560	0.033	0.099	1430
10 × 12.5	0.043	0.114	1290	0.042	0.126	1170
10 × 16	0.028	0.078	1790	0.030	0.090	1650
10 × 20	0.020	0.057	2180	0.023	0.069	1890
10 × 25	0.018	0.054	2470	0.022	0.066	2150
12.5 × 20	0.018	0.045	2600	0.022	0.055	2260
12.5 × 25	0.015	0.038	3190	0.018	0.045	2660
12.5 × 30	0.013	0.033	3630	0.016	0.040	3160
12.5 × 35	0.012	0.030	3750	0.014	0.035	3270
16 × 20	0.017	0.043	3300	0.019	0.048	2870
16 × 25	0.014	0.035	3820	0.016	0.040	3320

Rated voltage (V.DC)	63 V.DC		
	Impedance ( $\Omega$ /100 kHz)		Ripple current (mA r.m.s./100 kHz)
	+20 °C	-10 °C	+105 °C
Case size (mm) ( $\phi$ D×L)			
5 × 11	0.510	2.040	175
6.3 × 11.2	0.210	0.840	284
8 × 11.5	0.092	0.368	566
8 × 15	0.068	0.272	741
8 × 20	0.050	0.200	930
10 × 12.5	0.063	0.252	761
10 × 16	0.045	0.180	1073
10 × 20	0.035	0.140	1229
10 × 25	0.033	0.132	1500
12.5 × 20	0.033	0.125	1582
12.5 × 25	0.027	0.092	1995
12.5 × 30	0.024	0.082	2528
12.5 × 35	0.021	0.071	2780
16 × 20	0.029	0.093	2153
16 × 25	0.024	0.074	2988

Rated voltage (V.DC)	100 V.DC		
	Impedance ( $\Omega$ /100 kHz)		Ripple current (mA r.m.s./100 kHz)
	+20 °C	-10 °C	+105 °C
Case size (mm) ( $\phi$ D×L)			
10 × 20	0.084	0.336	1500

## Characteristics list

Rated voltage (V.DC)	Cap. (±20 %) (μF)	Case size (mm)		Specification			Lead length (mm)				Part No.	Min. Packaging Q'ty	
		φD	L	Ripple current (100 kHz) (+105 °C) (mA r.m.s.)	Impedance (100 kHz) (+20 °C) (Ω)	Endurance (hours)	Lead dia. φd	Lead space				Straight leads (pcs)	Taping (pcs)
								Straight	Taping *B	Taping *H			
6.3	150	5	11	280	0.300	5000	0.5	2.0	5.0	2.5	EEUFR0J151( )	200	2000
	220	6.3	11.2	455	0.130	5000	0.5	2.5	5.0	2.5	EEUFR0J221( )	200	2000
	330	6.3	11.2	455	0.130	5000	0.5	2.5	5.0	2.5	EEUFR0J331( )	200	2000
	470	6.3	11.2	455	0.130	5000	0.5	2.5	5.0	2.5	EEUFR0J471( )	200	2000
	820	8	11.5	950	0.056	6000	0.6	3.5	5.0		EEUFR0J821( )	200	1000
	1000	8	11.5	950	0.056	6000	0.6	3.5	5.0		EEUFR0J102( )	200	1000
	1200	8	15	1240	0.041	8000	0.6	3.5	5.0		EEUFR0J122L( )	200	1000
		10	12.5	1290	0.043	6000	0.6	5.0	5.0		EEUFR0J122( )	200	500
	1500	8	20	1560	0.030	9000	0.6	3.5	5.0		EEUFR0J152L( )	200	1000
	1800	10	16	1790	0.028	8000	0.6	5.0	5.0		EEUFR0J182( )	200	500
	2200	10	20	2180	0.020	10000	0.6	5.0	5.0		EEUFR0J222( )	200	500
	2700	10	25	2470	0.018	10000	0.6	5.0	5.0		EEUFR0J272L( )	200	500
	3300	10	25	2470	0.018	10000	0.6	5.0	5.0		EEUFR0J332L( )	200	500
	3900	12.5	20	2600	0.018	10000	0.6	5.0	5.0		EEUFR0J392( )	200	500
	4700	12.5	25	3190	0.015	10000	0.6	5.0	5.0		EEUFR0J472( )	200	500
	5600	12.5	30	3630	0.013	10000	0.8	5.0			EEUFR0J562L	100	
	6800	12.5	35	3750	0.012	10000	0.8	5.0			EEUFR0J682L	100	
		16	20	3300	0.017	10000	0.8	7.5	7.5		EEUFR0J682S( )	100	250
	8200	16	25	3820	0.014	10000	0.8	7.5	7.5		EEUFR0J822( )	100	250
	10	100	5	11	280	0.300	5000	0.5	2.0	5.0	2.5	EEUFR1A101( )	200
150		5	11	280	0.300	5000	0.5	2.0	5.0	2.5	EEUFR1A151( )	200	2000
220		6.3	11.2	455	0.130	5000	0.5	2.5	5.0	2.5	EEUFR1A221( )	200	2000
270		6.3	11.2	455	0.130	5000	0.5	2.5	5.0	2.5	EEUFR1A271( )	200	2000
470		8	11.5	950	0.056	6000	0.6	3.5	5.0		EEUFR1A471( )	200	1000
680		8	11.5	950	0.056	6000	0.6	3.5	5.0		EEUFR1A681( )	200	1000
820		10	12.5	1290	0.043	6000	0.6	5.0	5.0		EEUFR1A821( )	200	500
1000		10	16	1790	0.028	8000	0.6	5.0	5.0		EEUFR1A102( )	200	500
		8	15	1240	0.041	8000	0.6	3.5	5.0		EEUFR1A102L( )	200	1000
1500		8	20	1560	0.030	9000	0.6	3.5	5.0		EEUFR1A152L( )	200	1000
		10	16	1790	0.028	8000	0.6	5.0	5.0		EEUFR1A152( )	200	500
1800		10	20	2180	0.020	10000	0.6	5.0	5.0		EEUFR1A182( )	200	500
2200		10	25	2470	0.018	10000	0.6	5.0	5.0		EEUFR1A222L( )	200	500
3300		12.5	20	2600	0.018	10000	0.6	5.0	5.0		EEUFR1A332( )	200	500
3900		12.5	25	3190	0.015	10000	0.6	5.0	5.0		EEUFR1A392( )	200	500
4700		12.5	30	3630	0.013	10000	0.8	5.0			EEUFR1A472L	100	
		16	20	3300	0.017	10000	0.8	7.5	7.5		EEUFR1A472S( )	100	250
5600		12.5	35	3750	0.012	10000	0.8	5.0			EEUFR1A562L	100	
6800		12.5	35	3750	0.012	10000	0.8	5.0			EEUFR1A682L	100	
		16	25	3820	0.014	10000	0.8	7.5	7.5		EEUFR1A682( )	100	250

· When requesting taped product, please put the letter "B" or "H" between the "( )". Lead wire pitch \*B=5 mm, 7.5 mm, H=2.5 mm.

· Please refer to the page of "Taping dimensions".

## Characteristics list

Rated voltage (V.DC)	Cap. (±20 %) (μF)	Case size (mm)		Specification			Lead length (mm)			Part No.	Min. Packaging Q'ty		
		φD	L	Ripple current (100 kHz) (+105 °C) (mA r.m.s.)	Impedance (100 kHz) (+20 °C) (Ω)	Endurance (hours)	Lead dia. φd	Lead space			Straight leads (pcs)	Taping (pcs)	
								Straight	Taping *B				Taping *H
16	68	5	11	280	0.300	5000	0.5	2.0	5.0	2.5	EEUFR1C680( )	200	2000
	100	5	11	280	0.300	5000	0.5	2.0	5.0	2.5	EEUFR1C101( )	200	2000
	120	6.3	11.2	455	0.130	5000	0.5	2.5	5.0	2.5	EEUFR1C121( )	200	2000
	220	6.3	11.2	455	0.130	5000	0.5	2.5	5.0	2.5	EEUFR1C221( )	200	2000
	470	8	11.5	950	0.056	6000	0.6	3.5	5.0		EEUFR1C471( )	200	1000
	680	8	15	1240	0.041	8000	0.6	3.5	5.0		EEUFR1C681L( )	200	1000
		10	12.5	1290	0.043	6000	0.6	5.0	5.0		EEUFR1C681( )	200	500
	1000	8	20	1560	0.030	9000	0.6	3.5	5.0		EEUFR1C102L( )	200	1000
		10	16	1790	0.028	8000	0.6	5.0	5.0		EEUFR1C102( )	200	500
	1500	10	20	2180	0.020	10000	0.6	5.0	5.0		EEUFR1C152( )	200	500
		10	25	2470	0.018	10000	0.6	5.0	5.0		EEUFR1C152L( )	200	500
	1800	10	25	2470	0.018	10000	0.6	5.0	5.0		EEUFR1C182L( )	200	500
	2200	12.5	20	2600	0.018	10000	0.6	5.0	5.0		EEUFR1C222( )	200	500
	2700	12.5	25	3190	0.015	10000	0.6	5.0	5.0		EEUFR1C272( )	200	500
	3300	12.5	30	3630	0.013	10000	0.8	5.0			EEUFR1C332L	100	
		16	20	3300	0.017	10000	0.8	7.5	7.5		EEUFR1C332S( )	100	250
	3900	12.5	35	3750	0.012	10000	0.8	5.0			EEUFR1C392L	100	
		16	20	3300	0.017	10000	0.8	7.5	7.5		EEUFR1C392S( )	100	250
	4700	12.5	35	3750	0.012	10000	0.8	5.0			EEUFR1C472L	100	
		16	25	3820	0.014	10000	0.8	7.5	7.5		EEUFR1C472( )	100	250
5600	16	25	3820	0.014	10000	0.8	7.5	7.5		EEUFR1C562( )	100	250	
25	47	5	11	280	0.300	5000	0.5	2.0	5.0	2.5	EEUFR1E470( )	200	2000
	68	5	11	280	0.300	5000	0.5	2.0	5.0	2.5	EEUFR1E680( )	200	2000
	100	6.3	11.2	455	0.130	5000	0.5	2.5	5.0	2.5	EEUFR1E101( )	200	2000
	150	6.3	11.2	455	0.130	5000	0.5	2.5	5.0	2.5	EEUFR1E151( )	200	2000
	220	8	11.5	950	0.056	6000	0.6	3.5	5.0		EEUFR1E221( )	200	1000
	330	8	11.5	950	0.056	6000	0.6	3.5	5.0		EEUFR1E331( )	200	1000
	390	8	15	1240	0.041	8000	0.6	3.5	5.0		EEUFR1E391L( )	200	1000
	470	8	15	1240	0.041	8000	0.6	3.5	5.0		EEUFR1E471Y( )	200	1000
		8	20	1560	0.030	9000	0.6	3.5	5.0		EEUFR1E471L( )	200	1000
		10	12.5	1290	0.043	6000	0.6	5.0	5.0		EEUFR1E471( )	200	500
	560	8	20	1560	0.030	9000	0.6	3.5	5.0		EEUFR1E561L( )	200	1000
	680	8	20	1560	0.030	9000	0.6	3.5	5.0		EEUFR1E681L( )	200	1000
		10	16	1790	0.028	8000	0.6	5.0	5.0		EEUFR1E681( )	200	500
	820	10	20	2180	0.020	10000	0.6	5.0	5.0		EEUFR1E821( )	200	500
	1000	10	20	2180	0.020	10000	0.6	5.0	5.0		EEUFR1E102( )	200	500
		10	25	2470	0.018	10000	0.6	5.0	5.0		EEUFR1E102L( )	200	500
	1200	10	25	2470	0.018	10000	0.6	5.0	5.0		EEUFR1E122L( )	200	500
	1500	12.5	20	2600	0.018	10000	0.6	5.0	5.0		EEUFR1E152( )	200	500
	1800	12.5	25	3190	0.015	10000	0.6	5.0	5.0		EEUFR1E182( )	200	500
		16	20	3300	0.017	10000	0.8	7.5	7.5		EEUFR1E182S( )	100	250
2200	12.5	30	3630	0.013	10000	0.8	5.0			EEUFR1E222L	100		
	16	20	3300	0.017	10000	0.8	7.5	7.5		EEUFR1E222S( )	100	250	
2700	12.5	35	3750	0.012	10000	0.8	5.0			EEUFR1E272L	100		
	16	20	3300	0.017	10000	0.8	7.5	7.5		EEUFR1E272S( )	100	250	
3300	16	25	3820	0.014	10000	0.8	7.5	7.5		EEUFR1E332( )	100	250	

· When requesting taped product, please put the letter "B" or "H" between the "( )". Lead wire pitch \*B=5 mm, 7.5 mm, H=2.5 mm.

· Please refer to the page of "Taping dimensions".

## Characteristics list

Rated voltage (V.DC)	Cap. (±20 %) (μF)	Case size (mm)		Specification			Lead length (mm)			Part No.	Min. Packaging Qty		
		φD	L	Ripple current (100 kHz) (+105 °C) (mA r.m.s.)	Impedance (100 kHz) (+20 °C) (Ω)	Endurance (hours)	Lead dia. φd	Lead space			Straight leads (pcs)	Taping (pcs)	
								Straight	Taping *B				Taping *H
35	33	5	11	280	0.300	5000	0.5	2.0	5.0	2.5	EEUFR1V330( )	200	2000
	68	6.3	11.2	455	0.130	5000	0.5	2.5	5.0	2.5	EEUFR1V680( )	200	2000
	100	8	11.5	950	0.056	6000	0.6	3.5	5.0		EEUFR1V101( )	200	1000
	180	8	11.5	950	0.056	6000	0.6	3.5	5.0		EEUFR1V181( )	200	1000
	220	8	11.5	950	0.056	6000	0.6	3.5	5.0		EEUFR1V221( )	200	1000
	270	8	15	1240	0.041	8000	0.6	3.5	5.0		EEUFR1V271L( )	200	1000
		10	12.5	1290	0.043	6000	0.6	5.0	5.0		EEUFR1V271( )	200	500
	330	10	12.5	1330	0.043	5000	0.6	5.0	5.0		EEUFR1V331U( )	200	500
	390	8	20	1560	0.030	9000	0.6	3.5	5.0		EEUFR1V391L( )	200	1000
	470	8	20	1560	0.030	9000	0.6	3.5	5.0		EEUFR1V471L( )	200	1000
		10	16	1790	0.028	8000	0.6	5.0	5.0		EEUFR1V471( )	200	500
	560	10	20	2180	0.020	10000	0.6	5.0	5.0		EEUFR1V561( )	200	500
	680	10	20	2180	0.020	10000	0.6	5.0	5.0		EEUFR1V681( )	200	500
		10	25	2470	0.018	10000	0.6	5.0	5.0		EEUFR1V681L( )	200	500
	820	10	25	2470	0.018	10000	0.6	5.0	5.0		EEUFR1V821L( )	200	500
	1000	12.5	20	2600	0.018	10000	0.6	5.0	5.0		EEUFR1V102( )	200	500
	1200	12.5	25	3190	0.015	10000	0.6	5.0	5.0		EEUFR1V122( )	200	500
	1500	12.5	30	3630	0.013	10000	0.8	5.0			EEUFR1V152L	100	
		16	20	3300	0.017	10000	0.8	7.5	7.5		EEUFR1V152S( )	100	250
	1800	12.5	35	3750	0.012	10000	0.8	5.0			EEUFR1V182L	100	
	16	25	3820	0.014	10000	0.8	7.5	7.5		EEUFR1V182( )	100	250	
2200	12.5	35	3750	0.012	10000	0.8	5.0			EEUFR1V222L	100		
	16	25	3820	0.014	10000	0.8	7.5	7.5		EEUFR1V222( )	100	250	
50	4.7	5	11	185	0.620	5000	0.5	2.0	5.0	2.5	EEUFR1H4R7( )	200	2000
	10	5	11	250	0.340	5000	0.5	2.0	5.0	2.5	EEUFR1H100( )	200	2000
	22	5	11	250	0.340	5000	0.5	2.0	5.0	2.5	EEUFR1H220( )	200	2000
	47	6.3	11.2	405	0.140	5000	0.5	2.5	5.0		EEUFR1H470( )	200	2000
	56	6.3	11.2	405	0.140	5000	0.5	2.5	5.0	2.5	EEUFR1H560( )	200	2000
	100	8	11.5	870	0.061	6000	0.6	3.5	5.0		EEUFR1H101( )	200	1000
	120	8	15	1140	0.045	8000	0.6	3.5	5.0		EEUFR1H121L( )	200	1000
	150	10	12.5	1170	0.042	6000	0.6	5.0	5.0		EEUFR1H151( )	200	500
	180	8	20	1430	0.033	9000	0.6	3.5	5.0		EEUFR1H181L( )	200	1000
	220	10	16	1650	0.030	8000	0.6	5.0	5.0		EEUFR1H221( )	200	500
	270	10	20	1890	0.023	10000	0.6	5.0	5.0		EEUFR1H271( )	200	500
	330	10	25	2150	0.022	10000	0.6	5.0	5.0		EEUFR1H331L( )	200	500
	470	12.5	20	2260	0.022	10000	0.6	5.0	5.0		EEUFR1H471( )	200	500
	560	12.5	25	2660	0.018	10000	0.6	5.0	5.0		EEUFR1H561( )	200	500
	680	12.5	30	3160	0.016	10000	0.8	5.0			EEUFR1H681L	100	
	820	12.5	35	3270	0.014	10000	0.8	5.0			EEUFR1H821L	100	
1000	16	20	2870	0.019	10000	0.8	7.5	7.5		EEUFR1H821S( )	100	250	
	16	25	3320	0.016	10000	0.8	7.5	7.5		EEUFR1H102( )	100	250	
63	18	5	11	175	0.510	5000	0.5	2.0	5.0	2.5	EEUFR1J180( )	200	2000
	47	6.3	11.2	284	0.210	5000	0.5	2.5	5.0	2.5	EEUFR1J470( )	200	2000
	82	8	11.5	566	0.092	6000	0.6	3.5	5.0		EEUFR1J820( )	200	1000
	100	8	15	741	0.068	8000	0.6	3.5	5.0		EEUFR1J101L( )	200	1000
		10	12.5	761	0.063	6000	0.6	5.0	5.0		EEUFR1J101( )	200	500
	120	8	20	930	0.050	9000	0.6	3.5	5.0		EEUFR1J121L( )	200	1000
		10	16	1073	0.045	8000	0.6	5.0	5.0		EEUFR1J121( )	200	500
	150	8	20	930	0.050	9000	0.6	3.5	5.0		EEUFR1J151L( )	200	1000
		10	16	1073	0.045	8000	0.6	5.0	5.0		EEUFR1J151( )	200	500
	180	10	20	1229	0.035	10000	0.6	5.0	5.0		EEUFR1J181( )	200	500
	220	10	25	1500	0.033	10000	0.6	5.0	5.0		EEUFR1J221L( )	200	500
		10	20	1229	0.035	10000	0.6	5.0	5.0		EEUFR1J271U( )	200	500
	270	10	25	1500	0.033	10000	0.6	5.0	5.0		EEUFR1J271L( )	200	500
		12.5	20	1582	0.033	10000	0.6	5.0	5.0		EEUFR1J271( )	200	500
	330	12.5	20	1582	0.033	10000	0.6	5.0	5.0		EEUFR1J331( )	200	500
	390	12.5	25	1995	0.027	10000	0.6	5.0	5.0		EEUFR1J391( )	200	500
470	12.5	25	1995	0.027	10000	0.6	5.0	5.0		EEUFR1J471( )	200	500	
560	12.5	30	2528	0.024	10000	0.8	5.0			EEUFR1J561L	100		
	16	20	2153	0.029	10000	0.8	7.5	7.5		EEUFR1J561S( )	100	250	
680	12.5	35	2780	0.021	10000	0.8	5.0			EEUFR1J681L	100		
820	16	25	2988	0.024	10000	0.8	7.5	7.5		EEUFR1J821( )	100	250	
100	100	10	20	1500	0.084	10000	0.6	5.0	5.0		EEUFR2A101( )	200	500

· When requesting taped product, please put the letter "B" or "H" between the "( )". Lead wire pitch \*B=5 mm, 7.5 mm, H=2.5 mm.

· Please refer to the page of "Taping dimensions".

## Radial Lead Type

Series : **EB** Type : **A**



### Features

- Endurance : +105 °C 5000 h to 10000 h
- High ripple high frequency (High Voltage)
- RoHS compliant

### Specifications

Category temperature range	-40 °C to +105 °C	-25 °C to +105 °C
Rated voltage range	10 V.DC to 63 V.DC	160 V.DC to 450 V.DC
Capacitance range	2.2 μF to 3300 μF	10 μF to 330 μF
Capacitance tolerance	±20 % (120 Hz/+20 °C)	
Leakage current	I ≤ 0.01 CV or 3 (μA) After 2 minutes application of rated working voltage at +20 °C (Whichever is greater)	
Dissipation factor (tan δ)	Please see the attached characteristics list	
Endurance	After following life test with DC voltage and +105 °C±2 °C ripple current value applied (The sum of DC and ripple peak voltage shall not exceed the rated working voltage), when the capacitors are restored to 20 °C, the capacitors shall meet the limits specified below.	
	(10 V.DC to 63 V.DC) Duration : φ5×11 to φ8×11.5 : 5000 hours    φ8×15 to φ12.5×25 : 10000 hours	
	Capacitance change	Within ±30 % of the initial value
	tan δ	≤ 300 % of the initial limit
	DC leakage current	Within the initial limit
	(160 V.DC to 450 V.DC) Duration : 5000 hours	
Shelf life	Capacitance change	Within ±20 % of the initial value
	tan δ	≤ 200 % of the initial limit
	DC leakage current	Within the initial limit
Shelf life	After storage for 1000 hours at +105 °C±2 °C with no voltage applied and then being stabilized at +20 °C, capacitors shall meet the limits specified in Endurance. (With voltage treatment)	

### Frequency correction factor for ripple current

(10 V.DC ~ 63 V.DC)

Capacitance (μF)	Frequency (Hz)				
	60	120	1 k	10 k	100 k
2.2 to 10	0.75	1.00	1.40	1.55	1.65
22 to 470	0.85	1.00	1.20	1.25	1.30
1000 to 3300	0.95	1.00	1.05	1.10	1.15

Rated voltage (V.DC)	Frequency (Hz)			
	120	1 k	10 k to 30k	30 k to 100k
160 to 250	0.55	0.85	0.90	1.00
350 to 450	0.50	0.80	0.90	1.00

### Dimensions

\* L ≤ 16 : L±1.0 (φ8×15 only L±1.5)  
L ≥ 20 : L±2.0

	5	6.3	8	10	12.5	16	18
φD	5	6.3	8	10	12.5	16	18
φd	0.5	0.5	0.6	0.6	0.6	0.8	0.8
F	2.0	2.5	3.5	5.0	5.0	7.5	7.5

(Unit : mm)

## Characteristics list

Endurance : 105 °C  $\phi 5 \times 11$  to  $\phi 8 \times 11.5 = 5000$  h,  $\phi 8 \times 15$  to  $\phi 12.5 \times 25 = 10000$  h

Rated voltage (V.DC)	Cap. ( $\pm 20\%$ ) ( $\mu\text{F}$ )	Case size (mm)		Specification			Lead length (mm)				Part No.	Min. Packaging Qty	
		$\phi D$	L	Ripple current (120 Hz) (+105 °C) (mA r.m.s.)	$\tan \delta$ (120 Hz) (+20 °C)	Endurance (hours)	Lead dia. $\phi d$	Lead space				Straight leads (pcs)	Taping (pcs)
								Straight	Taping *B	Taping *H			
10	100	5	11	66	0.30	5000	0.5	2.0	5.0	2.5	EEUEB1A101S( )	200	2000
	220	6.3	11.2	100	0.30	5000	0.5	2.5	5.0	2.5	EEUEB1A221S( )	200	2000
	470	8	15	278	0.30	10000	0.6	3.5	5.0		EEUEB1A471( )	200	1000
		8	11.5	180	0.30	5000	0.6	3.5	5.0		EEUEB1A471S( )	200	1000
	2200	12.5	20	540	0.32	10000	0.6	5.0	5.0		EEUEB1A222( )	200	500
	3300	12.5	25	802	0.34	10000	0.6	5.0	5.0		EEUEB1A332( )	200	500
16	1000	10	20	430	0.25	10000	0.6	5.0	5.0		EEUEB1C102( )	200	500
	2200	12.5	25	706	0.27	10000	0.6	5.0	5.0		EEUEB1C222( )	200	500
25	47	5	11	55	0.22	5000	0.5	2.0	5.0	2.5	EEUEB1E470S( )	200	2000
	100	6.3	11.2	95	0.22	5000	0.5	2.5	5.0	2.5	EEUEB1E101S( )	200	2000
	220	8	11.5	125	0.22	5000	0.6	3.5	5.0		EEUEB1E221S( )	200	1000
	330	8	15	255	0.22	10000	0.6	3.5	5.0		EEUEB1E331( )	200	1000
	470	10	16	321	0.22	10000	0.6	5.0	5.0		EEUEB1E471( )	200	500
	1000	12.5	20	498	0.22	10000	0.6	5.0	5.0		EEUEB1E102( )	200	500
35	33	5	11	46	0.18	5000	0.5	2.0	5.0	2.5	EEUEB1V330S( )	200	2000
	220	8	15	197	0.18	10000	0.6	3.5	5.0		EEUEB1V221( )	200	1000
	330	10	16	278	0.18	10000	0.6	5.0	5.0		EEUEB1V331( )	200	500
	470	10	20	349	0.18	10000	0.6	5.0	5.0		EEUEB1V471( )	200	500
	1000	12.5	25	586	0.18	10000	0.6	5.0	5.0		EEUEB1V102( )	200	500
50	2.2	5	11	15	0.15	5000	0.5	2.0	5.0	2.5	EEUEB1H2R2S( )	200	2000
	3.3	5	11	18	0.15	5000	0.5	2.0	5.0	2.5	EEUEB1H3R3S( )	200	2000
	4.7	5	11	18	0.15	5000	0.5	2.0	5.0	2.5	EEUEB1H4R7S( )	200	2000
	10	5	11	27	0.15	5000	0.5	2.0	5.0	2.5	EEUEB1H100S( )	200	2000
	22	5	11	39	0.15	5000	0.5	2.0	5.0	2.5	EEUEB1H220S( )	200	2000
	47	6.3	11.2	61	0.15	5000	0.5	2.5	5.0	2.5	EEUEB1H470S( )	200	2000
	100	8	11.5	99	0.15	5000	0.6	3.5	5.0		EEUEB1H101S( )	200	1000
	220	10	16	234	0.15	10000	0.6	5.0	5.0		EEUEB1H221( )	200	500
	330	10	20	293	0.15	10000	0.6	5.0	5.0		EEUEB1H331( )	200	500
	470	12.5	20	370	0.15	10000	0.6	5.0	5.0		EEUEB1H471( )	200	500
63	2.2	5	11	16.5	0.12	5000	0.5	2.0	5.0	2.5	EEUEB1J2R2S( )	200	2000
	3.3	5	11	20	0.12	5000	0.5	2.0	5.0	2.5	EEUEB1J3R3S( )	200	2000
	4.7	5	11	23	0.12	5000	0.5	2.0	5.0	2.5	EEUEB1J4R7S( )	200	2000
	10	5	11	30	0.12	5000	0.5	2.0	5.0	2.5	EEUEB1J100S( )	200	2000
	22	6.3	11.2	40	0.12	5000	0.5	2.5	5.0	2.5	EEUEB1J220S( )	200	2000
	33	6.3	11.2	50	0.12	5000	0.5	2.5	5.0	2.5	EEUEB1J330S( )	200	2000
	47	8	15	94	0.12	10000	0.6	3.5	5.0		EEUEB1J470( )	200	1000
		8	11.5	80	0.12	5000	0.6	3.5	5.0		EEUEB1J470S( )	200	1000
	100	8	15	180	0.12	10000	0.6	3.5	5.0		EEUEB1J101( )	200	1000
	220	10	20	292	0.12	10000	0.6	5.0	5.0		EEUEB1J221( )	200	500
	330	12.5	20	381	0.12	10000	0.6	5.0	5.0		EEUEB1J331( )	200	500
	470	12.5	25	454	0.12	10000	0.6	5.0	5.0		EEUEB1J471( )	200	500

- When requesting taped product, please put the letter "B" or "H" between the "( )". Lead wire pitch \*B=5 mm, 7.5 mm, H=2.5 mm.
- Please refer to the page of "Taping dimensions".

## Characteristics list

Endurance : 105 °C 5000 h

Rated voltage (V.DC)	Cap. (±20 %) (μF)	Case size (mm)		Specification			Lead length (mm)			Part No.	Min. Packaging Q'ty		
		φD	L	Ripple current (120 Hz) (+105 °C) (mA r.m.s.)	tan δ (120 Hz) (+20 °C)	Endurance (hours)	Lead dia. φd	Lead space			Straight leads (pcs)	Taping (pcs)	
								Straight	Taping *B				
160	22	10	20	470	0.15	5000	0.6	5.0	5.0	EEUEB2C220( )	200	500	
	33	10	20	470	0.15	5000	0.6	5.0	5.0	EEUEB2C330( )	200	500	
	47	12.5	20	600	0.15	5000	0.6	5.0	5.0	EEUEB2C470( )	200	500	
	68	12.5	25	750	0.15	5000	0.6	5.0	5.0	EEUEB2C680( )	200	500	
		16	20	750	0.15	5000	0.8	7.5	7.5	EEUEB2C680S( )	100	250	
	100	16	25	1060	0.15	5000	0.8	7.5	7.5	EEUEB2C101( )	100	250	
		18	20	1060	0.15	5000	0.8	7.5	7.5	EEUEB2C101S( )	100	250	
	150	16	31.5	1280	0.15	5000	0.8	7.5	–	EEUEB2C151	100	–	
		18	25	1280	0.15	5000	0.8	7.5	7.5	EEUEB2C151S( )	100	250	
	220	16	31.5	1280	0.15	5000	0.8	7.5	–	EEUEB2C221	100	–	
18		25	1280	0.15	5000	0.8	7.5	7.5	EEUEB2C221S( )	100	250		
330	18	31.5	1690	0.15	5000	0.8	7.5	–	EEUEB2C331	50	–		
200	22	10	20	470	0.15	5000	0.6	5.0	5.0	EEUEB2D220( )	200	500	
	33	12.5	20	600	0.15	5000	0.6	5.0	5.0	EEUEB2D330( )	200	500	
	47	12.5	20	600	0.15	5000	0.6	5.0	5.0	EEUEB2D470( )	200	500	
	68	12.5	25	750	0.15	5000	0.6	5.0	5.0	EEUEB2D680( )	200	500	
		16	20	750	0.15	5000	0.8	7.5	7.5	EEUEB2D680S( )	100	250	
	100	16	25	1060	0.15	5000	0.8	7.5	7.5	EEUEB2D101( )	100	250	
		18	20	1060	0.15	5000	0.8	7.5	7.5	EEUEB2D101S( )	100	250	
	150	16	31.5	1280	0.15	5000	0.8	7.5	–	EEUEB2D151	100	–	
		18	25	1280	0.15	5000	0.8	7.5	7.5	EEUEB2D151S( )	100	250	
	220	18	31.5	1690	0.15	5000	0.8	7.5	–	EEUEB2D221	50	–	
250	22	12.5	20	560	0.15	5000	0.6	5.0	5.0	EEUEB2E220( )	200	500	
	33	12.5	20	560	0.15	5000	0.6	5.0	5.0	EEUEB2E330( )	200	500	
	47	12.5	25	710	0.15	5000	0.6	5.0	5.0	EEUEB2E470( )	200	500	
		16	20	710	0.15	5000	0.8	7.5	7.5	EEUEB2E470S( )	100	250	
	68	16	25	990	0.15	5000	0.8	7.5	7.5	EEUEB2E680( )	100	250	
		18	20	990	0.15	5000	0.8	7.5	7.5	EEUEB2E680S( )	100	250	
	100	16	31.5	1200	0.15	5000	0.8	7.5	–	EEUEB2E101	100	–	
		18	25	1200	0.15	5000	0.8	7.5	7.5	EEUEB2E101S( )	100	250	
	150	18	31.5	1470	0.15	5000	0.8	7.5	–	EEUEB2E151	50	–	
	350	10	10	20	270	0.20	5000	0.6	5.0	5.0	EEUEB2V100( )	200	500
22		12.5	20	350	0.20	5000	0.6	5.0	5.0	EEUEB2V220( )	200	500	
33		16	20	480	0.20	5000	0.8	7.5	7.5	EEUEB2V330S( )	100	250	
47		16	25	640	0.20	5000	0.8	7.5	7.5	EEUEB2V470( )	100	250	
		18	20	640	0.20	5000	0.8	7.5	7.5	EEUEB2V470S( )	100	250	
68		16	31.5	780	0.20	5000	0.8	7.5	–	EEUEB2V680	100	–	
		18	25	780	0.20	5000	0.8	7.5	7.5	EEUEB2V680S( )	100	250	
100		18	31.5	970	0.20	5000	0.8	7.5	–	EEUEB2V101	50	–	
400		10	10	20	250	0.24	5000	0.6	5.0	5.0	EEUEB2G100( )	200	500
		22	12.5	25	410	0.24	5000	0.6	5.0	5.0	EEUEB2G220( )	200	500
	16		20	410	0.24	5000	0.8	7.5	7.5	EEUEB2G220S( )	100	250	
	33	16	25	600	0.24	5000	0.8	7.5	7.5	EEUEB2G330( )	100	250	
		18	20	600	0.24	5000	0.8	7.5	7.5	EEUEB2G330S( )	100	250	
	47	16	31.5	730	0.24	5000	0.8	7.5	–	EEUEB2G470	100	–	
		18	25	730	0.24	5000	0.8	7.5	7.5	EEUEB2G470S( )	100	250	
	450	10	12.5	20	310	0.24	5000	0.6	5.0	5.0	EEUEB2W100( )	200	500
		22	16	25	560	0.24	5000	0.8	7.5	7.5	EEUEB2W220( )	100	250
			18	20	560	0.24	5000	0.8	7.5	7.5	EEUEB2W220S( )	100	250
33		16	31.5	680	0.24	5000	0.8	7.5	–	EEUEB2W330( )	100	–	
		18	25	680	0.24	5000	0.8	7.5	7.5	EEUEB2W330S( )	100	250	
47		18	31.5	850	0.24	5000	0.8	7.5	–	EEUEB2W470	50	–	

· When requesting taped product, please put the letter "B" between the "( )". Lead wire pitch \*B=5 mm, 7.5 mm.

· Please refer to the page of "Taping dimensions".

## Radial Lead Type

Series : **EE** Type : **A**



### Features

- High ripple current (at high frequency) : 40 % higher than ED Series
- Endurance : 105 °C 8000 h to 10000 h
- RoHS compliant

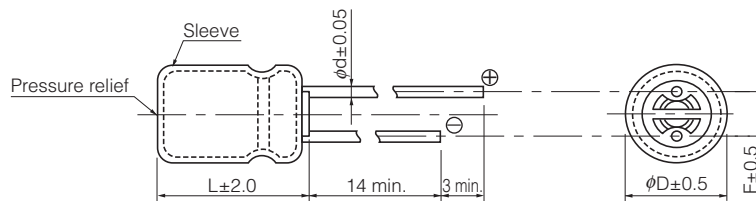
### Specifications

Category temperature range	-25 °C to + 105 °C							
Rated voltage range	160 V .DC to 450 V .DC							
Capacitance range	10 μF to 330 μF							
Capacitance tolerance	±20 % (120 Hz/+20 °C)							
Leakage current	$I \leq 0.06 CV + 10 (\mu A)$ After 2 minutes							
Dissipation factor (tan δ)	V.DC	160	200	250	350	400	450	(120 Hz/+20 °C)
	tan δ	0.15	0.15	0.15	0.20	0.24	0.24	
Endurance	After following life test with DC voltage and +105 °C±2 °C ripple current value applied (The sum of DC and ripple peak voltage shall not exceed the rated working voltage), when the capacitors are restored to 20 °C, the capacitors shall meet the limits specified below. Duration φ10 : 8000 hours φ12.5 to φ18 : 10000 hours							
	Capacitance change	Within ±20 % of the initial value						
	tan δ	≤ 200 % of the initial limit						
	DC leakage current	Within the initial limit						
Shelf life	After storage for 1000 hours at +105 °C±2 °C with no voltage applied and then being stabilized at +20 °C, capacitors shall meet the limits specified in Endurance. (With voltage treatment)							

### Frequency correction factor for ripple current

Rated voltage (V.DC)	Capacitance (μF)	Frequency (Hz)					
		60 ≤	120 ≤	300 ≤	1 k ≤	10 k ≤	100 k ≤
160 to 450	10 to 82	0.25	0.35	0.50	0.65	0.90	1.00
	100 to 330	0.30	0.40	0.55	0.70	0.90	1.00

### Dimensions



(Unit : mm)

φD	10	12.5	16	18
φd	0.6	0.6	0.8	0.8
F	5.0	5.0	7.5	7.5

**Case size/Ripple current**

Capacitance (μF)	160 V.DC			200 V.DC		
	Case size (mm) (φD×L)	Ripple current (mA r.m.s.) 105 °C		Case size (mm) (φD×L)	Ripple current (mA r.m.s.) 105 °C	
		120 Hz	100 kHz		120 Hz	100 kHz
22	10 × 20	245	700	10 × 20	300	850
33	10 × 20	280	810	10 × 20	320	920
47	10 × 20	370	1065	12.5 × 20	385	1100
68	12.5 × 20	470	1350	12.5 × 25 16 × 20S	465 465	1330 1330
82	12.5 × 25	520	1480	16 × 20S	510	1460
100	12.5 × 25 16 × 20S	660 680	1660 1700	16 × 25 18 × 20S	690 670	1730 1665
150	16 × 25 18 × 20S	755 730	1890 1820	16 × 25	740	1860
220	16 × 31.5 18 × 25S	910 780	2280 1950	18 × 31.5	1175	2600
330	18 × 31.5	1040	2600	18 × 40	1250	3120

Capacitance (μF)	250 V.DC			350 V.DC		
	Case size (mm) (φD×L)	Ripple current (mA r.m.s.) 105 °C		Case size (mm) (φD×L)	Ripple current (mA r.m.s.) 105 °C	
		120 Hz	100 kHz		120 Hz	100 kHz
15				10 × 20	170	480
22	10 × 20	275	785	12.5 × 20	230	660
33	12.5 × 20	350	995	12.5 × 25 16 × 20S	275 315	790 900
47	12.5 × 25 16 × 20S	450 490	1290 1400	16 × 25 18 × 20S	375 375	1070 1070
68	16 × 20S	490	1400	16 × 31.5 18 × 25S	535 465	1530 1330
82	16 × 25 18 × 20S	590 590	1680 1680	18 × 25S	535	1530
100	16 × 31.5 18 × 25S	840 840	2100 2100	18 × 31.5	640	1600
150	18 × 31.5	1010	2520			
220	18 × 40	1175	2940			

Capacitance (μF)	400 V.DC			450 V.DC		
	Case size (mm) (φD×L)	Ripple current (mA r.m.s.) 105 °C		Case size (mm) (φD×L)	Ripple current (mA r.m.s.) 105 °C	
		120 Hz	100 kHz		120 Hz	100 kHz
10	10 × 20	150	430	10 × 20U 12.5 × 20	115 170	330 490
15	12.5 × 20	205	590	12.5 × 25	270	780
22	12.5 × 25 16 × 20S	265 300	760 860	16 × 20S	330	945
33	16 × 20S	355	1020	16 × 25 18 × 20S	350 350	1000 1000
47	16 × 25 18 × 20S	410 410	1180 1180	16 × 31.5 18 × 25S	420 420	1200 1200
56				18 × 31.5	480	1380
68	18 × 25	515	1470	18 × 40	630	1800
82	18 × 31.5	575	1645			
100	18 × 40	825	2060			

Design and specifications are each subject to change without notice. Ask factory for the current technical specifications before purchase and/or use.  
Should a safety concern arise regarding this product, please be sure to contact us immediately.

## Characteristics list

Endurance : 105 °C  $\phi$ 10=8000 h,  $\phi$ 12.5 to  $\phi$ 18=10000 h

Rated voltage (V.DC)	Cap. ( $\pm 20\%$ ) ( $\mu$ F)	Case size (mm)		Specification			Lead length (mm)			Part No.	Min. Packaging Q'ty	
		$\phi$ D	L	Ripple current (100 kHz) (+105 °C) (mA r.m.s.)	tan $\delta$ (120 Hz) (+20 °C)	Endurance (hours)	Lead dia. $\phi$ d	Lead space			Straight leads (pcs)	Taping (pcs)
								Straight	Taping *B			
160	22	10	20	700	0.15	8000	0.6	5.0	5.0	EEUEE2C220( )	200	500
	33	10	20	810	0.15	8000	0.6	5.0	5.0	EEUEE2C330( )	200	500
	47	10	20	1065	0.15	8000	0.6	5.0	5.0	EEUEE2C470( )	200	500
	68	12.5	20	1350	0.15	10000	0.6	5.0	5.0	EEUEE2C680( )	200	500
	82	12.5	25	1480	0.15	10000	0.6	5.0	5.0	EEUEE2C820( )	200	500
	100	12.5	25	1660	0.15	10000	0.6	5.0	5.0	EEUEE2C101( )	200	500
		16	20	1700	0.15	10000	0.8	7.5	7.5	EEUEE2C101S( )	100	250
	150	16	25	1890	0.15	10000	0.8	7.5	7.5	EEUEE2C151( )	100	250
		18	20	1820	0.15	10000	0.8	7.5	7.5	EEUEE2C151S( )	100	250
	220	16	31.5	2280	0.15	10000	0.8	7.5		EEUEE2C221	100	
18		25	1950	0.15	10000	0.8	7.5	7.5	EEUEE2C221S( )	100	250	
330	18	31.5	2600	0.15	10000	0.8	7.5		EEUEE2C331	50		
200	22	10	20	850	0.15	8000	0.6	5.0	5.0	EEUEE2D220( )	200	500
	33	10	20	920	0.15	8000	0.6	5.0	5.0	EEUEE2D330( )	200	500
	47	12.5	20	1100	0.15	10000	0.6	5.0	5.0	EEUEE2D470( )	200	500
	68	12.5	25	1330	0.15	10000	0.6	5.0	5.0	EEUEE2D680( )	200	500
		16	20	1330	0.15	10000	0.8	7.5	7.5	EEUEE2D680S( )	100	250
	82	16	20	1460	0.15	10000	0.8	7.5	7.5	EEUEE2D820S( )	100	250
	100	16	25	1730	0.15	10000	0.8	7.5	7.5	EEUEE2D101( )	100	250
		18	20	1665	0.15	10000	0.8	7.5	7.5	EEUEE2D101S( )	100	250
	150	16	25	1860	0.15	10000	0.8	7.5	7.5	EEUEE2D151( )	100	250
	220	18	31.5	2600	0.15	10000	0.8	7.5		EEUEE2D221	50	
330	18	40	3120	0.15	10000	0.8	7.5		EEUEE2D331	50		
250	22	10	20	785	0.15	8000	0.6	5.0	5.0	EEUEE2E220( )	200	500
	33	12.5	20	995	0.15	10000	0.6	5.0	5.0	EEUEE2E330( )	200	500
	47	12.5	25	1290	0.15	10000	0.6	5.0	5.0	EEUEE2E470( )	200	500
		16	20	1400	0.15	10000	0.8	7.5	7.5	EEUEE2E470S( )	100	250
	68	16	20	1400	0.15	10000	0.8	7.5	7.5	EEUEE2E680S( )	100	250
	82	16	25	1680	0.15	10000	0.8	7.5	7.5	EEUEE2E820( )	100	250
		18	20	1680	0.15	10000	0.8	7.5	7.5	EEUEE2E820S( )	100	250
	100	16	31.5	2100	0.15	10000	0.8	7.5		EEUEE2E101	100	
		18	25	2100	0.15	10000	0.8	7.5	7.5	EEUEE2E101S( )	100	250
	150	18	31.5	2520	0.15	10000	0.8	7.5		EEUEE2E151	50	
220	18	40	2940	0.15	10000	0.8	7.5		EEUEE2E221	50		
350	15	10	20	480	0.20	8000	0.6	5.0	5.0	EEUEE2V150( )	200	500
	22	12.5	20	660	0.20	10000	0.6	5.0	5.0	EEUEE2V220( )	200	500
	33	12.5	25	790	0.20	10000	0.6	5.0	5.0	EEUEE2V330( )	200	500
		16	20	900	0.20	10000	0.8	7.5	7.5	EEUEE2V330S( )	100	250
	47	16	25	1070	0.20	10000	0.8	7.5	7.5	EEUEE2V470( )	100	250
		18	20	1070	0.20	10000	0.8	7.5	7.5	EEUEE2V470S( )	100	250
	68	16	31.5	1530	0.20	10000	0.8	7.5		EEUEE2V680	100	
		18	25	1330	0.20	10000	0.8	7.5	7.5	EEUEE2V680S( )	100	250
	82	18	25	1530	0.20	10000	0.8	7.5	7.5	EEUEE2V820S( )	100	250
	100	18	31.5	1600	0.20	10000	0.8	7.5		EEUEE2V101	50	

· When requesting taped product, please put the letter "B" between the "( )". Lead wire pitch \*B=5 mm, 7.5 mm.

· Please refer to the page of "Taping dimensions".

## Characteristics list

Endurance : 105 °C  $\phi$ 10=8000 h,  $\phi$ 12.5 to  $\phi$ 18=10000 h

Rated voltage (V.DC)	Cap. ( $\pm 20\%$ ) ( $\mu$ F)	Case size (mm)		Specification			Lead length (mm)			Part No.	Min. Packaging Q'ty	
		$\phi$ D	L	Ripple current (100 kHz) (+105 °C) (mA r.m.s.)	tan $\delta$ (120 Hz) (+20 °C)	Endurance (hours)	Lead dia. $\phi$ d	Lead space			Straight leads (pcs)	Taping (pcs)
								Straight	Taping *B			
400	10	10	20	430	0.24	8000	0.6	5.0	5.0	EEUEE2G100( )	200	500
	15	12.5	20	590	0.24	10000	0.6	5.0	5.0	EEUEE2G150( )	200	500
	22	12.5	25	760	0.24	10000	0.6	5.0	5.0	EEUEE2G220( )	200	500
		16	20	860	0.24	10000	0.8	7.5	7.5	EEUEE2G220S( )	100	250
	33	16	20	1020	0.24	10000	0.8	7.5	7.5	EEUEE2G330S( )	100	250
	47	16	25	1180	0.24	10000	0.8	7.5	7.5	EEUEE2G470( )	100	250
		18	20	1180	0.24	10000	0.8	7.5	7.5	EEUEE2G470S( )	100	250
	68	18	25	1470	0.24	10000	0.8	7.5	7.5	EEUEE2G680( )	100	250
	82	18	31.5	1645	0.24	10000	0.8	7.5		EEUEE2G820	50	
	100	18	40	2060	0.24	10000	0.8	7.5		EEUEE2G101	50	
450	10	10	20	330	0.24	8000	0.6	5.0	5.0	EEUEE2W100U( )	200	500
		12.5	20	490	0.24	10000	0.6	5.0	5.0	EEUEE2W100( )	200	500
	15	12.5	25	780	0.24	10000	0.6	5.0	5.0	EEUEE2W150( )	200	500
	22	16	20	945	0.24	10000	0.8	7.5	7.5	EEUEE2W220S( )	100	250
	33	16	25	1000	0.24	10000	0.8	7.5	7.5	EEUEE2W330( )	100	250
		18	20	1000	0.24	10000	0.8	7.5	7.5	EEUEE2W330S( )	100	250
	47	16	31.5	1200	0.24	10000	0.8	7.5		EEUEE2W470	100	
		18	25	1200	0.24	10000	0.8	7.5	7.5	EEUEE2W470S( )	100	250
	56	18	31.5	1380	0.24	10000	0.8	7.5		EEUEE2W560	50	
	68	18	40	1800	0.24	10000	0.8	7.5		EEUEE2W680	50	

· When requesting taped product, please put the letter "B" between the "( )". Lead wire pitch \*B=5 mm, 7.5 mm.

· Please refer to the page of "Taping dimensions".

## Radial Lead Type

Series : **TA** Type : **A**



### Features

- Endurance: 125 °C 2000 h
- Heat cycle: 1000 cycle -40 °C to +125 °C
- RoHS compliant

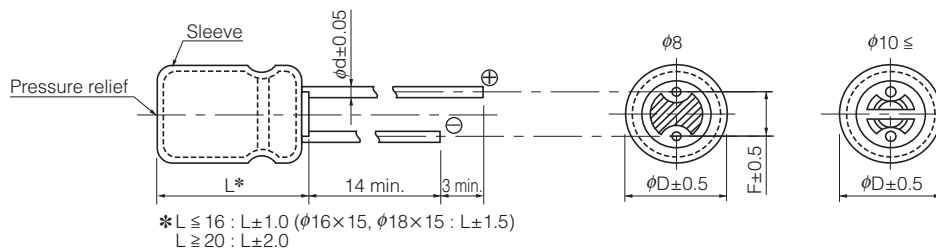
### Specifications

Category temperature range	-40 °C to + 125 °C							
Rated voltage range	10 V .DC to 63 V .DC							
Capacitance range	2.2 μF to 4700 μF							
Capacitance tolerance	±20 % (120 Hz/+20 °C)							
Leakage current	$I \leq 0.01 CV$ or 3 (μA) After 2 minutes (Whichever is greater)							
Dissipation factor (tan δ)	V.DC	10	16	25	35	50	63	(120Hz / +20 °C)
	tan δ	0.20	0.16	0.14	0.12	0.10	0.09	
For capacitance value $\geq 1000 \mu F$ , add 0.02 per every 1000 μF.								
Endurance	After following life test with DC voltage and +125 °C±2 °C ripple current value applied (The sum of DC and ripple peak voltage shall not exceed the rated working voltage), for 2000 hours, when the capacitors are restored to 20 °C, the capacitors, shall meet the limits specified below.							
	Capacitance change	Within ±30 % of the initial value						
	tan δ	$\leq 300$ % of the initial limit						
	DC leakage current	Within the initial limit						
Shelf life	After storage for 1000 hours at +125 °C±2 °C with no voltage applied and then being stabilized at +20 °C, capacitors shall meet the limits specified in Endurance. (With voltage treatment)							
AEC-Q200	AEC-Q200 compliant							

### Frequency correction factor for ripple current

Rated voltage (V.DC)	Capacitance (μF)	Frequency (Hz)				
		60	120	1 k	10 k	100 k
10 to 63	1 to 330	0.55	0.65	0.85	0.90	1.00
	470 to 1000	0.70	0.75	0.90	0.95	1.00
	2200 to 4700	0.75	0.80	0.90	0.95	1.00

### Dimensions



(Unit : mm)

φD	8	10	12.5	16	18
φd	0.6	0.6	0.6	0.8	0.8
F	3.5	5.0	5.0	7.5	7.5

## Characteristics list

Endurance : 125 °C 2000 h

Rated voltage (V.DC)	Cap. (±20 %) (μF)	Case size (mm)		Specification		Lead length (mm)			Part No.	Min. Packaging Q'ty	
		φD	L	Ripple current (100 kHz) (+125 °C) (mA r.m.s.)	Impedance (100 kHz) (+20 °C) (Ω)	Lead dia. φd	Lead space			Straight leads (pcs)	Taping (pcs)
							Straight	Taping *B			
10	330	8	11.5	500	0.130	0.6	3.5	5.0	EEUTA1A331( )	200	1000
	470	10	12.5	680	0.100	0.6	5.0	5.0	EEUTA1A471( )	200	500
	1000	10	20	1100	0.057	0.6	5.0	5.0	EEUTA1A102( )	200	500
		12.5	15	1085	0.070	0.6	5.0	5.0	EEUTA1A102S( )	200	500
	2200	12.5	25	1750	0.033	0.6	5.0	5.0	EEUTA1A222L( )	200	500
		16	20	1985	0.032	0.8	7.5	7.5	EEUTA1A222( )	100	250
		18	15	1800	0.042	0.8	7.5	7.5	EEUTA1A222S( )	100	250
	3300	16	25	2300	0.024	0.8	7.5	7.5	EEUTA1A332( )	100	250
		18	20	2250	0.031	0.8	7.5	7.5	EEUTA1A332S( )	100	250
	4700	16	31.5	2710	0.020	0.8	7.5		EEUTA1A472	100	
		18	25	2470	0.022	0.8	7.5	7.5	EEUTA1A472S( )	100	250
	16	220	8	11.5	500	0.130	0.6	3.5	5.0	EEUTA1C221( )	200
330		10	12.5	680	0.100	0.6	5.0	5.0	EEUTA1C331( )	200	500
470		10	16	945	0.075	0.6	5.0	5.0	EEUTA1C471( )	200	500
1000		12.5	20	1490	0.042	0.6	5.0	5.0	EEUTA1C102( )	200	500
		16	15	1520	0.047	0.8	7.5	7.5	EEUTA1C102S( )	100	250
2200		16	25	2300	0.024	0.8	7.5	7.5	EEUTA1C222( )	100	250
		18	20	2250	0.031	0.8	7.5	7.5	EEUTA1C222S( )	100	250
3300		16	31.5	2710	0.020	0.8	7.5		EEUTA1C332	100	
		18	25	2470	0.022	0.8	7.5	7.5	EEUTA1C332S( )	100	250
4700		18	31.5	3270	0.018	0.8	7.5		EEUTA1C472	50	
25	100	8	11.5	500	0.130	0.6	3.5	5.0	EEUTA1E101( )	200	1000
	220	10	12.5	680	0.100	0.6	5.0	5.0	EEUTA1E221( )	200	500
	330	10	16	945	0.075	0.6	5.0	5.0	EEUTA1E331( )	200	500
	470	10	20	1100	0.057	0.6	5.0	5.0	EEUTA1E471( )	200	500
		12.5	15	1085	0.070	0.6	5.0	5.0	EEUTA1E471S( )	200	500
	1000	12.5	25	1750	0.033	0.6	5.0	5.0	EEUTA1E102L( )	200	500
		16	20	1985	0.032	0.8	7.5	7.5	EEUTA1E102( )	100	250
		18	15	1800	0.042	0.8	7.5	7.5	EEUTA1E102S( )	100	250
	2200	16	31.5	2710	0.020	0.8	7.5		EEUTA1E222	100	
		18	25	2470	0.022	0.8	7.5	7.5	EEUTA1E222S( )	100	250
	3300	18	35.5	3310	0.017	0.8	7.5		EEUTA1E332	50	
35	100	10	12.5	555	0.180	0.6	5.0	5.0	EEUTA1V101( )	200	500
	220	10	16	765	0.130	0.6	5.0	5.0	EEUTA1V221( )	200	500
	330	10	20	930	0.100	0.6	5.0	5.0	EEUTA1V331( )	200	500
	470	12.5	20	1330	0.070	0.6	5.0	5.0	EEUTA1V471( )	200	500
		16	15	1450	0.088	0.8	7.5	7.5	EEUTA1V471S( )	100	250
	1000	16	25	2010	0.037	0.8	7.5	7.5	EEUTA1V102( )	100	250
		18	20	2180	0.046	0.8	7.5	7.5	EEUTA1V102S( )	100	250
	2200	18	35.5	2790	0.025	0.8	7.5		EEUTA1V222	50	

· When requesting taped product, please put the letter "B" between the "( )". Lead wire pitch \*B=5 mm, 7.5 mm.

· Please refer to the page of "Taping dimensions".

## Characteristics list

Endurance : 125 °C 2000 h

Rated voltage (V.DC)	Cap. (±20 %) (μF)	Case size (mm)		Specification		Lead length (mm)			Part No.	Min. Packaging Q'ty	
		φD	L	Ripple current (100 kHz) (+125 °C) (mA r.m.s.)	Impedance (100 kHz) (+20 °C) (Ω)	Lead dia. φd	Lead space			Straight leads (pcs)	Taping (pcs)
							Straight	Taping *B			
50	10	8	11.5	180	0.950	0.6	3.5	5.0	EEUTA1H100( )	200	1000
	22	8	11.5	250	0.650	0.6	3.5	5.0	EEUTA1H220( )	200	1000
	33	8	11.5	300	0.450	0.6	3.5	5.0	EEUTA1H330( )	200	1000
	47	8	11.5	440	0.350	0.6	3.5	5.0	EEUTA1H470S( )	200	1000
	100	10	12.5	555	0.180	0.6	5.0	5.0	EEUTA1H101( )	200	500
	220	10	20	930	0.100	0.6	5.0	5.0	EEUTA1H221( )	200	500
	330	12.5	20	1330	0.070	0.6	5.0	5.0	EEUTA1H331( )	200	500
		16	15	1450	0.088	0.8	7.5	7.5	EEUTA1H331S( )	100	250
	470	12.5	25	1650	0.055	0.6	5.0	5.0	EEUTA1H471L( )	200	500
		16	20	1650	0.053	0.8	7.5	7.5	EEUTA1H471( )	100	250
		18	15	1710	0.075	0.8	7.5	7.5	EEUTA1H471S( )	100	250
	1000	16	31.5	2430	0.031	0.8	7.5		EEUTA1H102	100	
18		25	2350	0.032	0.8	7.5	7.5	EEUTA1H102S( )	100	250	
63	22	8	11.5	310	0.470	0.6	3.5	5.0	EEUTA1J220( )	200	1000
	33	10	12.5	410	0.360	0.6	5.0	5.0	EEUTA1J330( )	200	500
	47	10	16	460	0.270	0.6	5.0	5.0	EEUTA1J470( )	200	500
	100	10	20	680	0.205	0.6	5.0	5.0	EEUTA1J101( )	200	500
	220	12.5	25	1325	0.100	0.6	5.0	5.0	EEUTA1J221L( )	200	500
		16	20	1360	0.085	0.8	7.5	7.5	EEUTA1J221( )	100	250
		18	15	1300	0.120	0.8	7.5	7.5	EEUTA1J221S( )	100	250
	330	16	25	1660	0.070	0.8	7.5	7.5	EEUTA1J331( )	100	250
		18	20	1760	0.077	0.8	7.5	7.5	EEUTA1J331S( )	100	250
	470	16	31.5	2055	0.060	0.8	7.5		EEUTA1J471	100	
		18	25	1990	0.060	0.8	7.5	7.5	EEUTA1J471S( )	100	250

· When requesting taped product, please put the letter "B" between the "( )". Lead wire pitch \*B=5 mm, 7.5 mm.

· Please refer to the page of "Taping dimensions".

## Radial Lead Type

Series : **TP** Type : **A**



### Features

- Endurance : 125 °C 2000 h to 5000 h or 135 °C 1000 h to 2000 h
- Smaller than series TA
- High ripple current (at high frequency) : 20 to 40% higher than TA series
- RoHS compliant

### Specifications

Category temperature range	-40 °C to + 135 °C		
Rated voltage range	25 V .DC to 35 V .DC		
Capacitance range	100 μF to 5100 μF		
Capacitance tolerance	±20 % (120 Hz/+20 °C)		
Leakage current	I ≤ 0.01 CV After 2 minutes		
Dissipation factor (tan δ)	V.DC	25	35
	tan δ	0.14	0.12
(120Hz / +20 °C)			
For capacitance value ≥ 1000 μF , add 0.02 per every 1000 μF.			
Endurance 1	After following life test with DC voltage and +125 °C±2 °C ripple current value applied. (The sum of DC and ripple peak voltage shall not exceed the rated working voltage) when the capacitors are restored to 20 °C, the capacitors shall meet the limits specified below.		
	Duration φ8 : 2000 hours, φ10 : 3000 hours, φ12.5 : 4000 hours, φ16 to φ18 : 5000 hours		
	Capacitance change	Within ±30 % of the initial value	
	tan δ	≤ 300 % of the initial limit	
Endurance 2	After following life test with DC voltage and +135 °C±2 °C ripple current value applied. (The sum of DC and ripple peak voltage shall not exceed the rated working voltage) when the capacitors are restored to 20 °C, the capacitors shall meet the limits specified below.		
	Duration φ8 : 1000 hours, φ10 to φ18 : 2000 hours		
	Capacitance change	Within ±30 % of the initial value	
	tan δ	≤ 300 % of the initial limit	
Shelf Life 1	After storage for 1000 hours at +125 °C±2 °C with no voltage applied and then being stabilized at +20 °C, capacitors shall meet the limits specified in Endurance. (With voltage treatment)		
	After storage for 1000 hours at +135 °C±2 °C with no voltage applied and then being stabilized at +20 °C, capacitors shall meet the limits specified in Endurance. (With voltage treatment)		
AEC-Q200	AEC-Q200 compliant		

### Frequency correction factor for ripple current

Rated voltage (V.DC)	Capacitance (μF)	Frequency (Hz)				
		60	120	1 k	10 k	100 k
25 to 35	to 330	0.55	0.65	0.85	0.90	1.00
	390 to 1000	0.70	0.75	0.90	0.95	1.00
	1200 to	0.75	0.80	0.90	0.95	1.00

### Dimensions

	8	10	12.5	16	18
φD	8	10	12.5	16	18
φd	0.6	0.6	0.6	0.8	0.8
F	3.5	5.0	5.0	7.5	7.5

## Characteristics list

Rated voltage (V.DC)	Cap. (±20%) (μF)	Case size (mm)		Specification						Lead length (mm)			Part No. * : Substandard (E24series numbers)	Min. Packaging Qty	
		φD	L	Ripple current (100 kHz) (+125 °C) (mA r.m.s.)	Ripple current (100 kHz) (+135 °C) (mA r.m.s.)	ESR (100 kHz) (+20 °C) (Ω)	tan δ (120 Hz) (+20 °C)	125 °C Endurance (hours)	135 °C Endurance (hours)	Lead dia. φd	Lead space			Straight leads (pcs)	Taping (pcs)
											Straight	Taping *B			
25	220	10	12.5	580	500	0.190	0.14	3000	2000	0.6	5.0	5.0	EEUTP1E221( )	200	500
	330	10	16	1100	945	0.130	0.14	3000	2000	0.6	5.0	5.0	EEUTP1E331( )	200	500
	470	8	20	1060	760	0.067	0.14	2000	1000	0.6	3.5	5.0	EEUTP1E471L( )	200	1000
		10	16	1100	945	0.130	0.14	3000	2000	0.6	5.0	5.0	EEUTP1E471( )	200	500
	510	10	16	1100	945	0.130	0.14	3000	2000	0.6	5.0	5.0	EEUTP1E511( )*	200	500
	820	10	20	1540	1100	0.052	0.14	3000	2000	0.6	5.0	5.0	EEUTP1E821( )	200	500
	1000	12.5	20	1860	1490	0.038	0.14	4000	2000	0.6	5.0	5.0	EEUTP1E102( )	200	500
	1200	12.5	20	1860	1490	0.038	0.14	4000	2000	0.6	5.0	5.0	EEUTP1E122( )	200	500
	1800	12.5	25	2180	1750	0.030	0.14	4000	2000	0.6	5.0	5.0	EEUTP1E182( )	200	500
		16	20	2380	1985	0.029	0.14	5000	2000	0.8	7.5	7.5	EEUTP1E182S( )	100	250
	2000	16	20	2380	1985	0.029	0.16	5000	2000	0.8	7.5	7.5	EEUTP1E202S( )*	100	250
	2200	16	25	2760	2300	0.022	0.16	5000	2000	0.8	7.5	7.5	EEUTP1E222( )	100	250
		18	20	2700	2250	0.028	0.16	5000	2000	0.8	7.5	7.5	EEUTP1E222S( )	100	250
	2700	16	25	2760	2300	0.022	0.16	5000	2000	0.8	7.5	7.5	EEUTP1E272( )	100	250
		18	20	2700	2250	0.028	0.16	5000	2000	0.8	7.5	7.5	EEUTP1E272S( )	100	250
	3300	16	31.5	3250	2710	0.018	0.18	5000	2000	0.8	7.5		EEUTP1E332	100	
		18	25	2960	2470	0.020	0.18	5000	2000	0.8	7.5	7.5	EEUTP1E332S( )	100	250
	3900	16	31.5	3250	2710	0.018	0.18	5000	2000	0.8	7.5		EEUTP1E392	100	
		18	25	2960	2470	0.020	0.18	5000	2000	0.8	7.5	7.5	EEUTP1E392S( )	100	250
	4700	18	31.5	3480	2900	0.016	0.20	5000	2000	0.8	7.5		EEUTP1E472	50	
5100	18	31.5	3480	2900	0.016	0.22	5000	2000	0.8	7.5		EEUTP1E512*	50		
35	100	10	12.5	580	500	0.190	0.12	3000	2000	0.6	5.0	5.0	EEUTP1V101( )	200	500
	120	10	12.5	580	500	0.190	0.12	3000	2000	0.6	5.0	5.0	EEUTP1V121( )	200	500
	220	8	20	1060	760	0.067	0.12	2000	1000	0.6	3.5	5.0	EEUTP1V221L( )	200	1000
		10	16	1100	945	0.130	0.12	3000	2000	0.6	5.0	5.0	EEUTP1V221( )	200	500
	270	8	20	1060	760	0.067	0.12	2000	1000	0.6	3.5	5.0	EEUTP1V271L( )	200	1000
		10	16	1100	945	0.130	0.12	3000	2000	0.6	5.0	5.0	EEUTP1V271( )	200	500
	330	10	20	1540	1100	0.052	0.12	3000	2000	0.6	5.0	5.0	EEUTP1V331( )	200	500
	390	10	20	1540	1100	0.052	0.12	3000	2000	0.6	5.0	5.0	EEUTP1V391( )	200	500
	470	12.5	20	1860	1490	0.038	0.12	4000	2000	0.6	5.0	5.0	EEUTP1V471( )	200	500
	560	12.5	20	1860	1490	0.038	0.12	4000	2000	0.6	5.0	5.0	EEUTP1V561( )	200	500
	620	12.5	20	1860	1490	0.038	0.12	4000	2000	0.6	5.0	5.0	EEUTP1V621( )*	200	500
	820	12.5	25	2180	1750	0.030	0.12	4000	2000	0.6	5.0	5.0	EEUTP1V821( )	200	500
	1000	16	20	2380	1985	0.029	0.12	5000	2000	0.8	7.5	7.5	EEUTP1V102( )	100	250
	1200	16	20	2380	1985	0.029	0.12	5000	2000	0.8	7.5	7.5	EEUTP1V122( )	100	250
	1500	16	25	2760	2300	0.022	0.12	5000	2000	0.8	7.5	7.5	EEUTP1V152( )	100	250
		18	20	2700	2250	0.028	0.12	5000	2000	0.8	7.5	7.5	EEUTP1V152S( )	100	250
	1600	16	25	2760	2300	0.022	0.12	5000	2000	0.8	7.5	7.5	EEUTP1V162( )*	100	250
	1800	16	31.5	3250	2710	0.018	0.12	5000	2000	0.8	7.5		EEUTP1V182	100	
		18	25	2960	2470	0.020	0.12	5000	2000	0.8	7.5	7.5	EEUTP1V182S( )	100	250
	2000	16	31.5	3250	2710	0.018	0.14	5000	2000	0.8	7.5		EEUTP1V202*	100	
18		25	2960	2470	0.020	0.14	5000	2000	0.8	7.5	7.5	EEUTP1V202S( )*	100	250	
2200	18	31.5	3480	2900	0.016	0.14	5000	2000	0.8	7.5		EEUTP1V222	50		
2700	18	31.5	3480	2900	0.016	0.14	5000	2000	0.8	7.5		EEUTP1V272	50		

· When requesting taped product, please put the letter "B" between the "( )". Lead wire pitch \*B=5 mm, 7.5 mm.  
 · Please refer to the page of "Taping dimensions".

## Radial Lead Type

Series : **HD** Type : **A**



### Features

- Endurance : 105 °C 1000 h to 2000 h
- Minaturize, Higher Capacitance : 1 Size Miniturized Product of Current A-NHG
- RoHS compliant

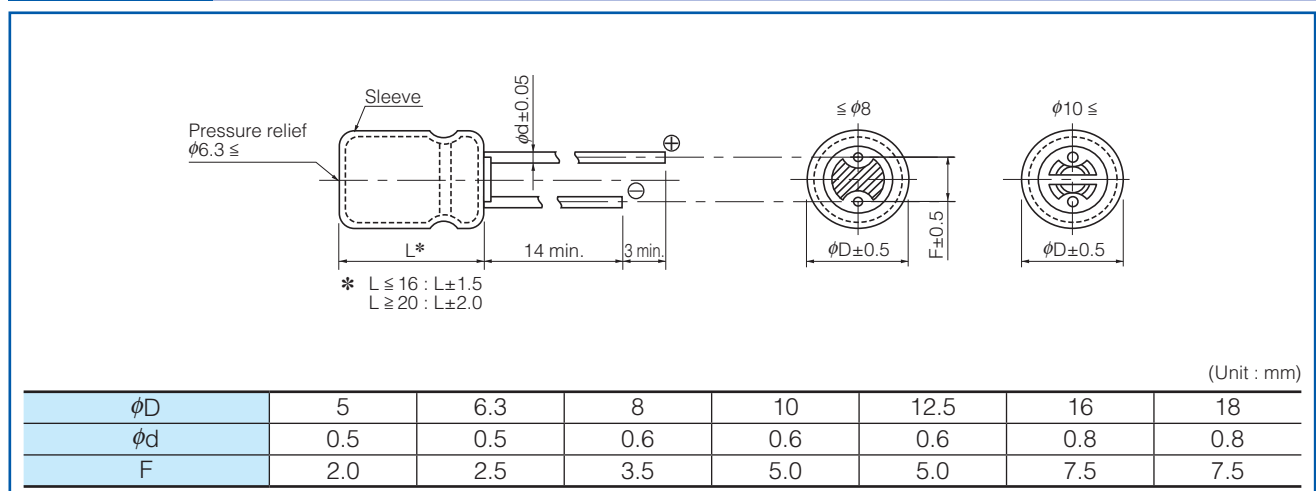
### Specifications

Category temperature range	-55 °C to +105 °C	
Rated voltage range	10 V.DC to 50 V.DC	
Capacitance range	2.2 μF to 22000 μF	
Capacitance tolerance	±20 % (120 Hz/+20 °C)	
Leakage current	$I \leq 0.01 CV$ or 3 (μA) After 2 minutes (Which is greater)	
Dissipation factor (tan δ)	Please see the attached characteristics list	
Endurance	After following life test with DC voltage and +105 °C±2 °C ripple current value applied (The sum of DC and ripple peak voltage shall not exceed the rated working voltage), When the capacitors are restored to 20 °C, the capacitors shall meet the limits specified below.	
	Duration : φ5 to φ8=1000 hours, φ10 to φ18=2000 hours	
	Capacitance change	Within ±20 % of the initial value
	tan δ	≤ 200 % of the initial limit
Shelf life	DC leakage current	Within the initial limit
	After storage for 1000 hours at +105 °C±2 °C with no voltage applied and then being stabilized at +20 °C, capacitors shall meet the limits specified in Endurance. (With voltage treatment)	

### Frequency correction factor for ripple current

Rated voltage (V.DC)	Capacitance (μF)	Frequency (Hz)				
		60	120	1 k	10 k	100 k
10 to 50	2.2 to 33	0.75	1.00	1.55	1.80	2.00
	47 to 470	0.80	1.00	1.35	1.50	1.50
	1000 to 22000	0.85	1.00	1.10	1.15	1.15

### Dimensions



## Characteristics list

Endurance : 105 °C  $\phi 5$  to  $\phi 8$ =1000 h,  $\phi 10$  to  $\phi 18$ =2000 h

Rated voltage (V.DC)	Cap. ( $\pm 20\%$ ) ( $\mu\text{F}$ )	Case size (mm)		Specification			Lead length (mm)			Part No.	Min. Packaging Qty		
		$\phi\text{D}$	L	Ripple current (120 Hz) (+105 °C) (mA r.m.s.)	$\tan \delta$ (120 Hz) (+20 °C)	Endurance (hours)	Lead dia. $\phi\text{d}$	Lead space			Straight leads (pcs)	Taping (pcs)	
								Straight	Taping *B				Taping *H
10	330	6.3	11.2	200	0.24	1000	0.5	2.5	5.0	2.5	EEUHD1A331( )	200	2000
	470	8	11.5	250	0.24	1000	0.6	3.5	5.0		EEUHD1A471( )	200	1000
	1000	10	12.5	460	0.24	2000	0.6	5.0	5.0		EEUHD1A102( )	200	500
	2200	10	16	760	0.26	2000	0.6	5.0	5.0		EEUHD1A222( )	200	500
	4700	12.5	20	1260	0.30	2000	0.6	5.0	5.0		EEUHD1A472( )	200	500
	6800	12.5	25	1570	0.34	2000	0.6	5.0	5.0		EEUHD1A682( )	200	500
	10000	16	25	1890	0.42	2000	0.8	7.5	7.5		EEUHD1A103( )	100	250
	15000	16	31.5	2180	0.52	2000	0.8	7.5			EEUHD1A153	100	
22000	18	35.5	2400	0.66	2000	0.8	7.5			EEUHD1A223	50		
16	100	5	11	110	0.20	1000	0.5	2.0	5.0	2.5	EEUHD1C101( )	200	2000
	220	6.3	11.2	180	0.20	1000	0.5	2.5	5.0	2.5	EEUHD1C221( )	200	2000
	330	8	11.5	260	0.20	1000	0.6	3.5	5.0		EEUHD1C331( )	200	1000
	470	8	11.5	310	0.20	1000	0.6	3.5	5.0		EEUHD1C471( )	200	1000
	3300	12.5	20	1170	0.24	2000	0.6	5.0	5.0		EEUHD1C332( )	200	500
	4700	12.5	25	1480	0.26	2000	0.6	5.0	5.0		EEUHD1C472( )	200	500
	6800	16	25	1780	0.30	2000	0.8	7.5	7.5		EEUHD1C682( )	100	250
	8200	16	25	1780	0.34	2000	0.8	7.5	7.5		EEUHD1C822( )	100	250
	10000	16	31.5	2060	0.38	2000	0.8	7.5			EEUHD1C103	100	
15000	18	35.5	2210	0.48	2000	0.8	7.5			EEUHD1C153	50		
25	47	5	11	91	0.16	1000	0.5	2.0	5.0	2.5	EEUHD1E470( )	200	2000
	68	5	11	91	0.16	1000	0.5	2.0	5.0	2.5	EEUHD1E680( )	200	2000
	100	6.3	11.2	130	0.16	1000	0.5	2.5	5.0	2.5	EEUHD1E101( )	200	2000
	220	8	11.5	230	0.16	1000	0.6	3.5	5.0		EEUHD1E221( )	200	1000
	330	8	11.5	310	0.16	1000	0.6	3.5	5.0		EEUHD1E331( )	200	1000
	470	10	12.5	380	0.16	2000	0.6	5.0	5.0		EEUHD1E471( )	200	500
	1000	10	16	680	0.16	2000	0.6	5.0	5.0		EEUHD1E102( )	200	500
	2200	12.5	20	1090	0.18	2000	0.6	5.0	5.0		EEUHD1E222( )	200	500
	3300	12.5	25	1400	0.20	2000	0.6	5.0	5.0		EEUHD1E332( )	200	500
	4700	16	25	1750	0.22	2000	0.8	7.5	7.5		EEUHD1E472( )	100	250
	5600	16	25	1750	0.24	2000	0.8	7.5	7.5		EEUHD1E562( )	100	250
6800	16	31.5	2040	0.26	2000	0.8	7.5			EEUHD1E682	100		
10000	18	35.5	2200	0.34	2000	0.8	7.5			EEUHD1E103	50		
35	47	5	11	90	0.14	1000	0.5	2.0	5.0	2.5	EEUHD1V470( )	200	2000
	100	6.3	11.2	150	0.14	1000	0.5	2.5	5.0	2.5	EEUHD1V101( )	200	2000
	220	8	11.5	270	0.14	1000	0.6	3.5	5.0		EEUHD1V221( )	200	1000
	330	10	12.5	350	0.14	2000	0.6	5.0	5.0		EEUHD1V331( )	200	500
	470	10	16	460	0.14	2000	0.6	5.0	5.0		EEUHD1V471( )	200	500
	680	10	16	460	0.14	2000	0.6	5.0	5.0		EEUHD1V681( )	200	500
	2200	12.5	25	1260	0.16	2000	0.6	5.0	5.0		EEUHD1V222( )	200	500
	3300	16	25	1610	0.18	2000	0.8	7.5	7.5		EEUHD1V332( )	100	250
	4700	16	31.5	1910	0.20	2000	0.8	7.5			EEUHD1V472	100	
	6800	18	35.5	2050	0.24	2000	0.8	7.5			EEUHD1V682	50	

· When requesting taped product, please put the letter "B" or "H" between the "( )". Lead wire pitch \*B=5 mm, 7.5 mm, H=2.5 mm.  
 · Please refer to the page of "Taping dimensions".

## Characteristics list

Endurance : 105 °C  $\phi$ 5 to  $\phi$ 8=1000 h,  $\phi$ 10 to  $\phi$ 18=2000 h

Rated voltage (V.DC)	Cap. ( $\pm 20\%$ ) ( $\mu$ F)	Case size (mm)		Specification			Lead length (mm)			Part No.	Min. Packaging Q'ty		
		$\phi$ D	L	Ripple current (120 Hz) (+105 °C) (mA r.m.s.)	tan $\delta$ (120 Hz) (+20 °C)	Endurance (hours)	Lead dia. $\phi$ d	Lead space			Straight leads (pcs)	Taping (pcs)	
								Straight	Taping *B				Taping *H
50	2.2	5	11	18	0.12	1000	0.5	2.0	5.0	2.5	EEUHD1H2R2( )	200	2000
	3.3	5	11	22	0.12	1000	0.5	2.0	5.0	2.5	EEUHD1H3R3( )	200	2000
	4.7	5	11	26	0.12	1000	0.5	2.0	5.0	2.5	EEUHD1H4R7( )	200	2000
	10	5	11	39	0.12	1000	0.5	2.0	5.0	2.5	EEUHD1H100( )	200	2000
	22	5	11	65	0.12	1000	0.5	2.0	5.0	2.5	EEUHD1H220( )	200	2000
	33	5	11	90	0.12	1000	0.5	2.0	5.0	2.5	EEUHD1H330( )	200	2000
	47	6.3	11.2	110	0.12	1000	0.5	2.5	5.0	2.5	EEUHD1H470( )	200	2000
	68	6.3	11.2	110	0.12	1000	0.5	2.5	5.0	2.5	EEUHD1H680( )	200	2000
	100	8	11.5	180	0.12	1000	0.6	3.5	5.0		EEUHD1H101( )	200	1000
	220	10	12.5	300	0.12	2000	0.6	5.0	5.0		EEUHD1H221( )	200	500
	330	10	16	410	0.12	2000	0.6	5.0	5.0		EEUHD1H331( )	200	500
	470	10	20	530	0.12	2000	0.6	5.0	5.0		EEUHD1H471( )	200	500
	560	16	15	650	0.12	2000	0.8	7.5	7.5		EEUHD1H561S( )	100	250
	680	16	15	650	0.12	2000	0.8	7.5	7.5		EEUHD1H681S( )	100	250
	1000	12.5	25	950	0.12	2000	0.6	5.0	5.0		EEUHD1H102( )	200	500
	2200	16	31.5	1470	0.14	2000	0.8	7.5			EEUHD1H222	100	
3300	18	35.5	1770	0.16	2000	0.8	7.5			EEUHD1H332	50		

- When requesting taped product, please put the letter "B" or "H" between the "( )". Lead wire pitch \*B=5 mm, 7.5 mm, H=2.5 mm.
- Please refer to the page of "Taping dimensions".

## Radial Lead Type

Series : **NHG** Type : **A**



### Features

- Endurance : 105 °C 1000 h to 2000 h
- RoHS compliant

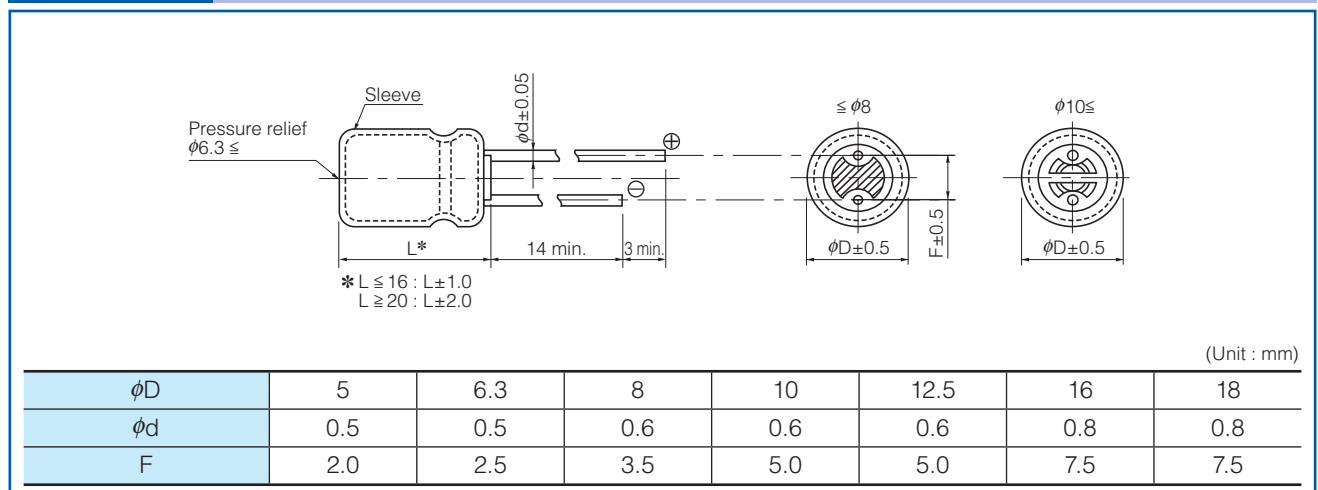
### Specifications

Category temperature range	-55 °C to +105 °C	-25 °C to +105 °C
Rated voltage range	6.3 V.DC to 100 V.DC	160 V.DC to 450 V.DC
Capacitance range	2.2 μF to 22000 μF	1 μF to 330 μF
Capacitance tolerance	±20 % (120 Hz/+20 °C)	
Leakage current	$I \leq 0.01 CV$ or 3 (μA) After 2 minutes (Which is greater)	$I \leq 0.06 CV + 10$ (μA) After 2 minutes
Dissipation factor (tan δ)	Please see the attached characteristics list	
Endurance	After following life test with DC voltage and +105 °C±2 °C ripple current value applied (The sum of DC and ripple peak voltage shall not exceed the rated working voltage), When the capacitors are restored to 20 °C, the capacitors shall meet the limits specified below.	
	Duration : 6.3 V.DC to 100 V.DC : (φ5 to φ8)=1000 hours, (φ10 to φ18)=2000 hours 160 V.DC to 450 V.DC : 2000 hours	
	Capacitance change	Within ±20 % of the initial value
	tan δ	≤ 200 % of the initial limit
Shelf life	DC leakage current	
	Within the initial limit	
Shelf life	After storage for 1000 hours at +105 °C±2 °C with no voltage applied and then being stabilized at +20 °C, capacitors shall meet the limits specified in Endurance. (With voltage treatment)	

### Frequency correction factor for ripple current

Rated voltage (V.DC)	Capacitance (μF)	Frequency (Hz)				
		60	120	1 k	10 k	100 k
6.3 to 100	2.2 to 33	0.75	1.00	1.55	1.80	2.00
	47 to 470	0.80	1.00	1.35	1.50	1.50
	1000 to 22000	0.85	1.00	1.10	1.15	1.15
160 to 450	1 to 330	0.80	1.00	1.35	1.50	1.50

### Dimensions



## Characteristics list

Rated voltage (V.DC)	Cap. (±20 %) (μF)	Case size (mm)		Specification			Lead length (mm)			Part No.	Min. Packaging Qty		
		φD	L	Ripple current (120 Hz) (+105 °C) (mA r.m.s.)	tan δ (120 Hz) (+20 °C)	Endurance (hours)	Lead dia. φd	Lead space			Straight leads (pcs)	Taping (pcs)	
								Straight	Taping *B				Taping *i
6.3	220	5	11	140	0.28	1000	0.5	2.0	5.0	2.5	ECA0JHG221( )	200	2000
	470	6.3	11.2	230	0.28	1000	0.5	2.5	5.0	2.5	ECA0JHG471( )	200	2000
	1000	8	11.5	380	0.28	1000	0.6	3.5	5.0		ECA0JHG102( )	200	1000
	2200	10	16	710	0.30	2000	0.6	5.0	5.0		ECA0JHG222( )	200	500
	3300	10	20	840	0.32	2000	0.6	5.0	5.0		ECA0JHG332( )	200	500
	4700	12.5	20	1090	0.34	2000	0.6	5.0	5.0		ECA0JHG472( )	200	500
	6800	12.5	25	1350	0.38	2000	0.6	5.0	5.0		ECA0JHG682( )	200	500
	10000	16	25	1650	0.46	2000	0.8	7.5	7.5		ECA0JHG103( )	100	250
	15000	16	31.5	2010	0.56	2000	0.8	7.5			ECA0JHG153	100	
22000	18	35.5	2350	0.70	2000	0.8	7.5			ECA0JHG223	50		
10	330	6.3	11.2	200	0.24	1000	0.5	2.5	5.0	2.5	ECA1AHG331( )	200	2000
	470	8	11.5	250	0.24	1000	0.6	3.5	5.0		ECA1AHG471( )	200	1000
	1000	10	12.5	460	0.24	2000	0.6	5.0	5.0		ECA1AHG102( )	200	500
	2200	10	20	760	0.26	2000	0.6	5.0	5.0		ECA1AHG222( )	200	500
	3300	12.5	20	1000	0.28	2000	0.6	5.0	5.0		ECA1AHG332( )	200	500
	4700	12.5	25	1260	0.30	2000	0.6	5.0	5.0		ECA1AHG472( )	200	500
	6800	16	25	1570	0.34	2000	0.8	7.5	7.5		ECA1AHG682( )	100	250
	10000	16	31.5	1890	0.42	2000	0.8	7.5			ECA1AHG103	100	
15000	18	35.5	2180	0.52	2000	0.8	7.5			ECA1AHG153	50		
16	100	5	11	110	0.20	1000	0.5	2.0	5.0	2.5	ECA1CHG101( )	200	2000
	220	6.3	11.2	180	0.20	1000	0.5	2.5	5.0	2.5	ECA1CHG221( )	200	2000
	330	8	11.5	260	0.20	1000	0.6	3.5	5.0		ECA1CHG331( )	200	1000
	470	8	11.5	310	0.20	1000	0.6	3.5	5.0		ECA1CHG471( )	200	1000
	1000	10	16	560	0.20	2000	0.6	5.0	5.0		ECA1CHG102( )	200	500
	2200	12.5	20	920	0.22	2000	0.6	5.0	5.0		ECA1CHG222( )	200	500
	3300	12.5	25	1170	0.24	2000	0.6	5.0	5.0		ECA1CHG332( )	200	500
	4700	16	25	1480	0.26	2000	0.8	7.5	7.5		ECA1CHG472( )	100	250
	6800	16	31.5	1780	0.30	2000	0.8	7.5			ECA1CHG682	100	
10000	18	35.5	2060	0.38	2000	0.8	7.5			ECA1CHG103	50		
25	47	5	11	91	0.16	1000	0.5	2.0	5.0	2.5	ECA1EHG470( )	200	2000
	100	6.3	11.2	130	0.16	1000	0.5	2.5	5.0	2.5	ECA1EHG101( )	200	2000
	220	8	11.5	230	0.16	1000	0.6	3.5	5.0		ECA1EHG221( )	200	1000
	330	8	11.5	310	0.16	1000	0.6	3.5	5.0		ECA1EHG331( )	200	1000
	470	10	12.5	380	0.16	2000	0.6	5.0	5.0		ECA1EHG471( )	200	500
	1000	10	20	680	0.16	2000	0.6	5.0	5.0		ECA1EHG102( )	200	500
	2200	12.5	25	1090	0.18	2000	0.6	5.0	5.0		ECA1EHG222( )	200	500
	3300	16	25	1400	0.20	2000	0.8	7.5	7.5		ECA1EHG332( )	100	250
	4700	16	31.5	1750	0.22	2000	0.8	7.5			ECA1EHG472	100	
6800	18	35.5	2040	0.26	2000	0.8	7.5			ECA1EHG682	50		
35	47	5	11	90	0.14	1000	0.5	2.0	5.0	2.5	ECA1VHG470( )	200	2000
	100	6.3	11.2	150	0.14	1000	0.5	2.5	5.0	2.5	ECA1VHG101( )	200	2000
	220	8	11.5	270	0.14	1000	0.6	3.5	5.0		ECA1VHG221( )	200	1000
	330	10	12.5	350	0.14	2000	0.6	5.0	5.0		ECA1VHG331( )	200	500
	470	10	16	460	0.14	2000	0.6	5.0	5.0		ECA1VHG471( )	200	500
	1000	12.5	20	810	0.14	2000	0.6	5.0	5.0		ECA1VHG102( )	200	500
	2200	16	25	1260	0.16	2000	0.8	7.5	7.5		ECA1VHG222( )	100	250
	3300	16	31.5	1610	0.18	2000	0.8	7.5			ECA1VHG332	100	
4700	18	35.5	1910	0.20	2000	0.8	7.5			ECA1VHG472	50		

· When requesting taped product, please put the letter "B" or "i" between the "( )". Lead wire pitch \*B=5 mm, 7.5 mm, i=2.5 mm.

· Please refer to the page of "Taping dimensions".

## Characteristics list

Rated voltage (V.DC)	Cap. (±20 %) (μF)	Case size (mm)		Specification			Lead length (mm)			Part No.	Min. Packaging Q'ty		
		φD	L	Ripple current (120 Hz) (+105 °C) (mA r.m.s.)	tan δ (120 Hz) (+20 °C)	Endurance (hours)	Lead dia. φd	Lead space			Straight leads (pcs)	Taping (pcs)	
								Straight	Taping *B				Taping *i
50	2.2	5	11	18	0.12	1000	0.5	2.0	5.0	2.5	ECA1HHG2R2( )	200	2000
	3.3	5	11	22	0.12	1000	0.5	2.0	5.0	2.5	ECA1HHG3R3( )	200	2000
	4.7	5	11	26	0.12	1000	0.5	2.0	5.0	2.5	ECA1HHG4R7( )	200	2000
	10	5	11	39	0.12	1000	0.5	2.0	5.0	2.5	ECA1HHG100( )	200	2000
	22	5	11	65	0.12	1000	0.5	2.0	5.0	2.5	ECA1HHG220( )	200	2000
	33	5	11	90	0.12	1000	0.5	2.0	5.0	2.5	ECA1HHG330( )	200	2000
	47	6.3	11.2	110	0.12	1000	0.5	2.5	5.0	2.5	ECA1HHG470( )	200	2000
	100	8	11.5	180	0.12	1000	0.6	3.5	5.0		ECA1HHG101( )	200	1000
	220	10	12.5	300	0.12	2000	0.6	5.0	5.0		ECA1HHG221( )	200	500
	330	10	16	410	0.12	2000	0.6	5.0	5.0		ECA1HHG331( )	200	500
	470	10	20	530	0.12	2000	0.6	5.0	5.0		ECA1HHG471( )	200	500
	1000	12.5	25	950	0.12	2000	0.6	5.0	5.0		ECA1HHG102( )	200	500
	2200	16	31.5	1470	0.14	2000	0.8	7.5			ECA1HHG222	100	
3300	18	35.5	1770	0.16	2000	0.8	7.5			ECA1HHG332	50		
63	10	5	11	46	0.10	1000	0.5	2.0	5.0	2.5	ECA1JHG100( )	200	2000
	22	5	11	71	0.10	1000	0.5	2.0	5.0	2.5	ECA1JHG220( )	200	2000
	33	6.3	11.2	100	0.10	1000	0.5	2.5	5.0	2.5	ECA1JHG330( )	200	2000
	47	6.3	11.2	120	0.10	1000	0.5	2.5	5.0	2.5	ECA1JHG470( )	200	2000
	100	10	12.5	215	0.10	2000	0.6	5.0	5.0		ECA1JHG101( )	200	500
	220	10	16	335	0.10	2000	0.6	5.0	5.0		ECA1JHG221( )	200	500
	330	10	20	510	0.10	2000	0.6	5.0	5.0		ECA1JHG331( )	200	500
	470	12.5	20	640	0.10	2000	0.6	5.0	5.0		ECA1JHG471( )	200	500
	1000	16	25	930	0.10	2000	0.8	7.5	7.5		ECA1JHG102( )	100	250
2200	18	35.5	1610	0.12	2000	0.8	7.5			ECA1JHG222	50		
100	2.2	5	11	21	0.08	1000	0.5	2.0	5.0	2.5	ECA2AHG2R2( )	200	2000
	3.3	5	11	31	0.08	1000	0.5	2.0	5.0	2.5	ECA2AHG3R3( )	200	2000
	4.7	5	11	38	0.08	1000	0.5	2.0	5.0	2.5	ECA2AHG4R7( )	200	2000
	10	6.3	11.2	54	0.08	1000	0.5	2.5	5.0	2.5	ECA2AHG100( )	200	2000
	22	6.3	11.2	93	0.08	1000	0.5	2.5	5.0	2.5	ECA2AHG220( )	200	2000
	33	8	11.5	130	0.08	1000	0.6	3.5	5.0		ECA2AHG330( )	200	1000
	47	10	12.5	165	0.08	2000	0.6	5.0	5.0		ECA2AHG470( )	200	500
	100	10	20	265	0.08	2000	0.6	5.0	5.0		ECA2AHG101( )	200	500
	220	12.5	25	440	0.08	2000	0.6	5.0	5.0		ECA2AHG221( )	200	500
	330	16	25	540	0.08	2000	0.8	7.5	7.5		ECA2AHG331( )	100	250
	470	16	25	715	0.08	2000	0.8	7.5	7.5		ECA2AHG471( )	100	250
1000	18	35.5	985	0.08	2000	0.8	7.5			ECA2AHG102	50		

· When requesting taped product, please put the letter "B" or "i" between the "( )". Lead wire pitch \*B=5 mm, 7.5 mm, i=2.5 mm.  
 · Please refer to the page of "Taping dimensions".

## Characteristics list

Rated voltage (V.DC)	Cap. (±20 %) (μF)	Case size (mm)		Specification			Lead length (mm)			Part No.	Min. Packaging Q'ty		
		φD	L	Ripple current (120 Hz) (+105 °C) (mA r.m.s.)	tan δ (120 Hz) (+20 °C)	Endurance (hours)	Lead dia. φd	Lead space			Straight leads (pcs)	Taping (pcs)	
								Straight	Taping *B				Taping *i
160	1	6.3	11.2	17	0.15	2000	0.5	2.5	5.0	2.5	ECA2CHG010( )	200	2000
	2.2	6.3	11.2	25	0.15	2000	0.5	2.5	5.0	2.5	ECA2CHG2R2( )	200	2000
	3.3	6.3	11.2	36	0.15	2000	0.5	2.5	5.0	2.5	ECA2CHG3R3( )	200	2000
	4.7	6.3	11.2	43	0.15	2000	0.5	2.5	5.0	2.5	ECA2CHG4R7( )	200	2000
	10	10	12.5	70	0.15	2000	0.6	5.0	5.0		ECA2CHG100( )	200	500
	22	10	20	130	0.15	2000	0.6	5.0	5.0		ECA2CHG220( )	200	500
	33	10	20	180	0.15	2000	0.6	5.0	5.0		ECA2CHG330( )	200	500
	47	12.5	20	220	0.15	2000	0.6	5.0	5.0		ECA2CHG470( )	200	500
	100	16	25	335	0.15	2000	0.8	7.5	7.5		ECA2CHG101( )	100	250
	220	16	31.5	540	0.15	2000	0.8	7.5			ECA2CHG221	100	
200	1	6.3	11.2	17	0.15	2000	0.5	2.5	5.0	2.5	ECA2DHG010( )	200	2000
	2.2	6.3	11.2	25	0.15	2000	0.5	2.5	5.0	2.5	ECA2DHG2R2( )	200	2000
	3.3	6.3	11.2	36	0.15	2000	0.5	2.5	5.0	2.5	ECA2DHG3R3( )	200	2000
	4.7	8	11.5	50	0.15	2000	0.6	3.5	5.0		ECA2DHG4R7( )	200	1000
	10	10	16	80	0.15	2000	0.6	5.0	5.0		ECA2DHG100( )	200	500
	22	10	20	140	0.15	2000	0.6	5.0	5.0		ECA2DHG220( )	200	500
	33	12.5	20	190	0.15	2000	0.6	5.0	5.0		ECA2DHG330( )	200	500
	47	12.5	20	220	0.15	2000	0.6	5.0	5.0		ECA2DHG470( )	200	500
	100	16	25	335	0.15	2000	0.8	7.5	7.5		ECA2DHG101( )	100	250
	220	18	31.5	575	0.15	2000	0.8	7.5			ECA2DHG221	50	
250	1	6.3	11.2	17	0.15	2000	0.5	2.5	5.0	2.5	ECA2EHG010( )	200	2000
	2.2	6.3	11.2	29	0.15	2000	0.5	2.5	5.0	2.5	ECA2EHG2R2( )	200	2000
	3.3	8	11.5	42	0.15	2000	0.6	3.5	5.0		ECA2EHG3R3	200	1000
	4.7	8	11.5	50	0.15	2000	0.6	3.5	5.0		ECA2EHG4R7( )	200	1000
	10	10	16	88	0.15	2000	0.6	5.0	5.0		ECA2EHG100( )	200	500
	22	12.5	20	155	0.15	2000	0.6	5.0	5.0		ECA2EHG220( )	200	500
	33	12.5	20	190	0.15	2000	0.6	5.0	5.0		ECA2EHG330( )	200	500
	47	12.5	25	230	0.15	2000	0.6	5.0	5.0		ECA2EHG470( )	200	500
	100	16	31.5	365	0.15	2000	0.8	7.5			ECA2EHG101	100	
350	1	6.3	11.2	18	0.20	2000	0.5	2.5	5.0	2.5	ECA2VHG010( )	200	2000
	2.2	8	11.5	31	0.20	2000	0.6	3.5	5.0		ECA2VHG2R2( )	200	1000
	3.3	10	12.5	38	0.20	2000	0.6	5.0	5.0		ECA2VHG3R3( )	200	500
	4.7	10	16	50	0.20	2000	0.6	5.0	5.0		ECA2VHG4R7( )	200	500
	10	10	20	82	0.20	2000	0.6	5.0	5.0		ECA2VHG100( )	200	500
	22	12.5	20	130	0.20	2000	0.6	5.0	5.0		ECA2VHG220( )	200	500
	33	16	25	195	0.20	2000	0.8	7.5	7.5		ECA2VHG330( )	100	250
	47	16	25	230	0.20	2000	0.8	7.5	7.5		ECA2VHG470( )	100	250
	100	18	31.5	375	0.20	2000	0.8	7.5			ECA2VHG101	50	

· When requesting taped product, please put the letter "B" or "I" between the "( )". Lead wire pitch \*B=5 mm, 7.5 mm, i=2.5 mm.  
 · Please refer to the page of "Taping dimensions".

## Characteristics list

Rated voltage (V.DC)	Cap. (±20 %) (μF)	Case size (mm)		Specification			Lead length (mm)			Part No.	Min. Packaging Q'ty		
		φD	L	Ripple current (120 Hz) (+105 °C) (mA r.m.s.)	tan δ (120 Hz) (+20 °C)	Endurance (hours)	Lead dia. φd	Lead space			Straight leads (pcs)	Taping (pcs)	
								Straight	Taping *B				Taping *i
400	1	6.3	11.2	18	0.24	2000	0.5	2.5	5.0	2.5	ECA2GHG010( )	200	2000
	2.2	8	11.5	30	0.24	2000	0.6	3.5	5.0		ECA2GHG2R2( )	200	1000
	3.3	10	12.5	40	0.24	2000	0.6	5.0	5.0		ECA2GHG3R3( )	200	500
	4.7	10	16	50	0.24	2000	0.6	5.0	5.0		ECA2GHG4R7( )	200	500
	10	10	20	80	0.24	2000	0.6	5.0	5.0		ECA2GHG100( )	200	500
	22	12.5	25	145	0.24	2000	0.6	5.0	5.0		ECA2GHG220( )	200	500
	33	16	25	195	0.24	2000	0.8	7.5	7.5		ECA2GHG330( )	100	250
450	1	8	11.5	18	0.24	2000	0.6	3.5	5.0		ECA2WHG010( )	200	1000
	2.2	10	12.5	29	0.24	2000	0.6	5.0	5.0		ECA2WHG2R2( )	200	500
	3.3	10	16	41	0.24	2000	0.6	5.0	5.0		ECA2WHG3R3( )	200	500
	4.7	10	20	49	0.24	2000	0.6	5.0	5.0		ECA2WHG4R7( )	200	500
	10	12.5	20	75	0.24	2000	0.6	5.0	5.0		ECA2WHG100( )	200	500
	22	16	25	115	0.24	2000	0.8	7.5	7.5		ECA2WHG220( )	100	250
	33	16	31.5	155	0.24	2000	0.8	7.5			ECA2WHG330	100	

· When requesting taped product, please put the letter "B" or "i" between the "( )". Lead wire pitch \*B=5 mm, 7.5 mm, i=2.5 mm.

· Please refer to the page of "Taping dimensions".

## Radial Lead Type

Series : **GA** Type : **A**



### Features

- Endurance : 105 °C 1000 h
- RoHS compliant

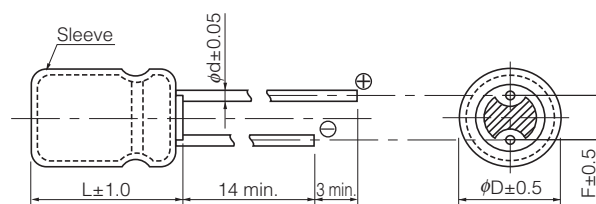
### Specifications

Category temperature range	-55 °C to +105 °C	
Rated voltage range	10 V.DC to 50 V.DC	
Capacitance range	1.5 µF to 220 µF	
Capacitance tolerance	±20 % (120 Hz/+20 °C)	
Leakage current	$I \leq 0.01 CV$ or 3 (µA) After 2 minutes (Whichever is greater)	
Dissipation factor (tan δ)	Please see the attached characteristics list	
Endurance	After following life test with DC voltage and +105 °C±2 °C ripple current value applied (The sum of DC and ripple peak voltage shall not exceed the rated working voltage), for 1000 hours, when the capacitors are restored to 20 °C, the capacitors shall meet the limits specified below.	
	Capacitance change	Within ±20 % of the initial value
	tan δ	≤ 200 % of the initial limit
	DC leakage current	Within the initial limit
Shelf life	After storage for 1000 hours at +105 °C±2 °C with no voltage applied and then being stabilized at +20 °C, capacitors shall meet the limits specified in Endurance. (With voltage treatment)	

### Frequency correction factor for ripple current

Frequency (Hz)	60	120	1 k	10 k	100 k to
Correction factor	0.85	1.00	1.30	1.40	1.55

### Dimensions



(Unit : mm)

φD	4	5	6.3	8
φd	0.45	0.45	0.45	0.45
F	1.5	2.0	2.5	2.5

## Characteristics list

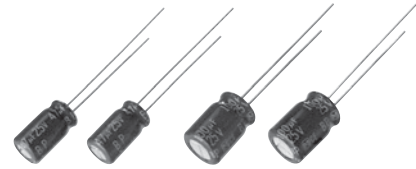
Endurance : 105 °C 1000 h

Rated voltage (V.DC)	Cap. (±20 %) (μF)	Case size (mm)		Specification			Lead length (mm)			Part No.	Min. Packaging Q'ty		
		φD	L	Ripple current (120 Hz) (+105 °C) (mA r.m.s.)	tan δ (120 Hz) (+20 °C)	Endurance (hours)	Lead dia. φd	Lead space			Straight leads (pcs)	Taping (pcs)	
								Straight	Taping *B				Taping *H
10	22	4	7	30	0.22	1000	0.45	1.5	5.0	2.5	EEAGA1A220( )	200	2000
	33	5	7	50	0.22	1000	0.45	2.0	5.0	2.5	EEAGA1A330( )	200	2000
	47	6.3	7	65	0.22	1000	0.45	2.5	5.0	2.5	EEAGA1A470( )	200	2000
	68	6.3	7	75	0.22	1000	0.45	2.5	5.0	2.5	EEAGA1A680( )	200	2000
	100	6.3	7	110	0.22	1000	0.45	2.5	5.0	2.5	EEAGA1A101( )	200	2000
	220	8	7	160	0.22	1000	0.45	2.5	5.0	2.5	EEAGA1A221( )	200	1000
16	10	4	7	30	0.18	1000	0.45	1.5	5.0	2.5	EEAGA1C100( )	200	2000
	15	4	7	33	0.18	1000	0.45	1.5	5.0	2.5	EEAGA1C150( )	200	2000
	22	5	7	50	0.18	1000	0.45	2.0	5.0	2.5	EEAGA1C220( )	200	2000
	33	6.3	7	65	0.18	1000	0.45	2.5	5.0	2.5	EEAGA1C330( )	200	2000
	47	6.3	7	77	0.18	1000	0.45	2.5	5.0	2.5	EEAGA1C470( )	200	2000
	100	8	7	120	0.18	1000	0.45	2.5	5.0	2.5	EEAGA1C101( )	200	1000
25	10	4	7	33	0.16	1000	0.45	1.5	5.0	2.5	EEAGA1E100( )	200	2000
	15	5	7	45	0.16	1000	0.45	2.0	5.0	2.5	EEAGA1E150( )	200	2000
	22	5	7	50	0.16	1000	0.45	2.0	5.0	2.5	EEAGA1E220( )	200	2000
	33	6.3	7	75	0.16	1000	0.45	2.5	5.0	2.5	EEAGA1E330( )	200	2000
35	6.8	4	7	33	0.13	1000	0.45	1.5	5.0	2.5	EEAGA1V6R8( )	200	2000
	10	5	7	35	0.13	1000	0.45	2.0	5.0	2.5	EEAGA1V100( )	200	2000
	15	6.3	7	50	0.13	1000	0.45	2.5	5.0	2.5	EEAGA1V150( )	200	2000
	22	6.3	7	70	0.13	1000	0.45	2.5	5.0	2.5	EEAGA1V220( )	200	2000
	47	8	7	96	0.13	1000	0.45	2.5	5.0	2.5	EEAGA1V470( )	200	1000
50	1.5	4	7	16	0.10	1000	0.45	1.5	5.0	2.5	EEAGA1H1R5( )	200	2000
	2.2	4	7	18	0.10	1000	0.45	1.5	5.0	2.5	EEAGA1H2R2( )	200	2000
	3.3	4	7	22	0.10	1000	0.45	1.5	5.0	2.5	EEAGA1H3R3( )	200	2000
	4.7	4	7	26	0.10	1000	0.45	1.5	5.0	2.5	EEAGA1H4R7( )	200	2000
	6.8	5	7	35	0.10	1000	0.45	2.0	5.0	2.5	EEAGA1H6R8( )	200	2000
	10	6.3	7	39	0.10	1000	0.45	2.5	5.0	2.5	EEAGA1H100( )	200	2000
	15	6.3	7	55	0.10	1000	0.45	2.5	5.0	2.5	EEAGA1H150( )	200	2000
	22	8	7	70	0.10	1000	0.45	2.5	5.0	2.5	EEAGA1H220( )	200	1000
33	8	7	91	0.10	1000	0.45	2.5	5.0	2.5	EEAGA1H330( )	200	1000	

- When requesting taped product, please put the letter "B" or "H" between the "( )". Lead wire pitch \*B=5 mm, H=2.5 mm.  
Suffix "BQ" for φ8×7, 5 mm pitch products
- Please refer to the page of "Taping Dimensions".

## Radial Lead Type

Series : **GA (Bi-polar)** Type : **A**



### Features

- Endurance : 105 °C 1000 h to 2000 h
- RoHS compliant

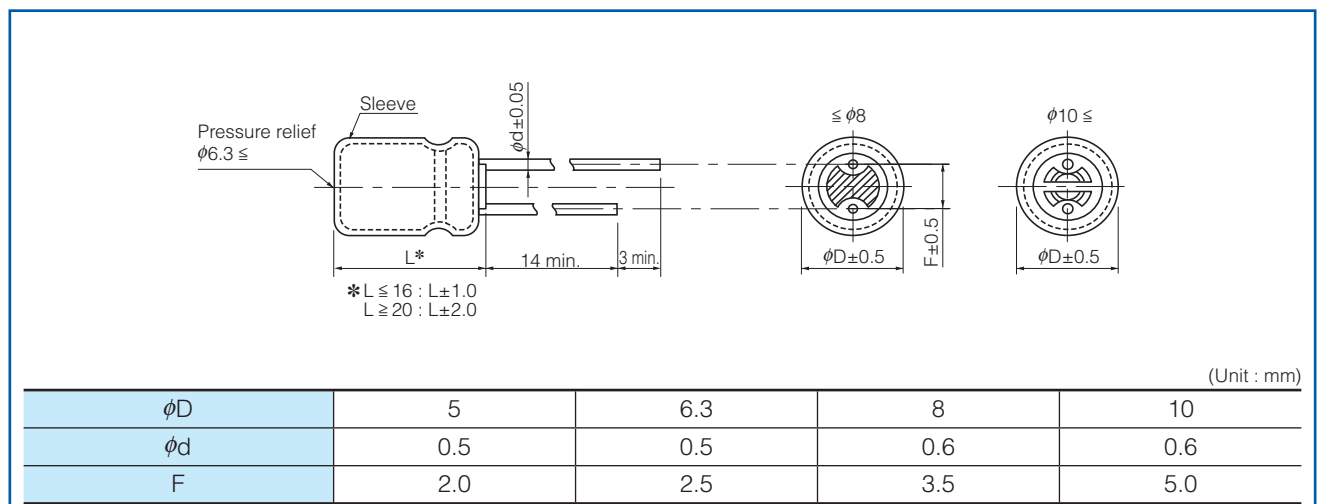
### Specifications

Category temperature range	-40 °C to +105 °C	
Rated voltage range	6.3 V.DC to 50 V.DC	
Capacitance range	2.2 μF to 330 μF	
Capacitance tolerance	±20 % (120 Hz/+20 °C)	
Leakage current	$I \leq 0.03 CV + 3 (\mu A)$ After 2 minutes or $I \leq 0.03 CV$ or 3 (μA) After 5 minutes (Whichever is greater)	
Dissipation factor (tan δ)	Please see the attached characteristics list	
Endurance	After following life test of DC working voltage at +105 °C±2 °C when the capacitors are restored to 20 °C, the capacitors shall meet the following limits. Duration φ5 to φ8 : 1000 hours (500 hours for each polarity) φ10 : 2000 hours (1000 hours for each polarity)	
	Capacitance change	Within ±20 % of the initial value
	tan δ	≤ 200 % of the initial limit
	DC leakage current	Within the initial limit
Shelf life	After storage for 1000 hours at +105 °C±2 °C with no voltage applied and then being stabilized at +20 °C, capacitors shall meet the limits specified in Endurance. (With voltage treatment)	

### Frequency correction factor for ripple current

Frequency (Hz)	50, 60	120	1 k	10 k to
Correction factor	0.70	1.00	1.30	1.70

### Dimensions



## Characteristics list (Bi-polar)

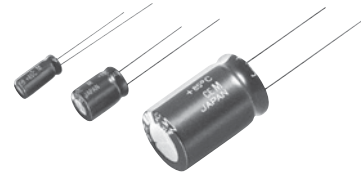
Endurance : 105 °C  $\phi$ 5 to  $\phi$ 8=1000 h (500 h for each polarity),  $\phi$ 10=2000 h (1000 h for each polarity)

Rated voltage (V.DC)	Cap. ( $\pm 20\%$ ) ( $\mu$ F)	Case size (mm)		Specification		Lead length (mm)			Part No.	Min. Packaging Q'ty		
		$\phi$ D	L	Ripple current (120 Hz) (+105 °C) (mA r.m.s.)	$\tan \delta$ (120 Hz) (+20 °C)	Lead dia. $\phi$ d	Lead space			Straight leads (pcs)	Taping (pcs)	
							Straight	Taping *B				Taping *i
6.3	100	6.3	11.2	130	0.30	0.5	2.5	5.0	2.5	ECA0JEN101( )	200	2000
	330	8	11.5	250	0.30	0.6	3.5	5.0		ECA0JEN331( )	200	1000
10	47	5	11	90	0.24	0.5	2.0	5.0	2.5	ECA1AEN470( )	200	2000
16	10	5	11	40	0.20	0.5	2.0	5.0	2.5	ECA1CEN100( )	200	2000
	22	5	11	60	0.20	0.5	2.0	5.0	2.5	ECA1CEN220( )	200	2000
	33	5	11	80	0.20	0.5	2.0	5.0	2.5	ECA1CEN330( )	200	2000
	47	6.3	11.2	100	0.20	0.5	2.5	5.0	2.5	ECA1CEN470( )	200	2000
25	10	5	11	45	0.15	0.5	2.0	5.0	2.5	ECA1EEN100( )	200	2000
	22	6.3	11.2	60	0.15	0.5	2.5	5.0	2.5	ECA1EEN220( )	200	2000
	33	6.3	11.2	90	0.15	0.5	2.5	5.0	2.5	ECA1EEN330( )	200	2000
	47	6.3	11.2	110	0.15	0.5	2.5	5.0	2.5	ECA1EEN470( )	200	2000
	100	8	11.5	180	0.15	0.6	3.5	5.0		ECA1EEN101( )	200	1000
35	33	8	11.5	100	0.15	0.6	3.5	5.0		ECA1VEN330( )	200	1000
	100	10	16	230	0.15	0.6	5.0	5.0		ECA1VEN101( )	200	500
50	2.2	5	11	18	0.15	0.5	2.0	5.0	2.5	ECA1HEN2R2( )	200	2000
	3.3	5	11	25	0.15	0.5	2.0	5.0	2.5	ECA1HEN3R3( )	200	2000
	4.7	5	11	30	0.15	0.5	2.0	5.0	2.5	ECA1HEN4R7( )	200	2000
	10	6.3	11.2	50	0.15	0.5	2.5	5.0	2.5	ECA1HEN100( )	200	2000
	22	8	11.5	90	0.15	0.6	3.5	5.0		ECA1HEN220( )	200	1000
	33	8	11.5	110	0.15	0.6	3.5	5.0		ECA1HEN330( )	200	1000
	47	10	12.5	140	0.15	0.6	5.0	5.0		ECA1HEN470( )	200	500
	100	10	20	250	0.15	0.6	5.0	5.0		ECA1HEN101( )	200	500

- When requesting taped product, please put the letter "B" or "I" between the "( )". Lead wire pitch \*B=5 mm, 7.5 mm, i=2.5 mm.
- Please refer to the page of "Taping dimensions".

## Radial Lead Type

Series : **M** Type : **A**



### Features

- Endurance : 85 °C 2000 h
- Smaller than series SU
- RoHS compliant

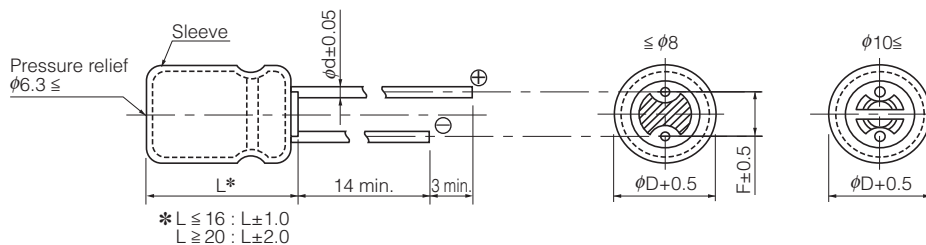
### Specifications

Category temperature range	-40 °C to + 85 °C	-25 °C to +85 °C
Rated voltage range	6.3 V.DC to 100 V.DC	160 V.DC to 450 V.DC
Capacitance range	2.2 μF to 22000 μF	1 μF to 470 μF
Capacitance tolerance	±20 % (120 Hz/+20 °C)	
Leakage current	$I \leq 0.01 CV$ or 3 (μA) After 2 minutes (Whichever is greater)	$I \leq 0.06 CV + 10$ (μA) After 2 minutes
Dissipation factor (tan δ)	Please see the attached characteristics list	
Endurance	After applying rated working voltage for 2000 hours at +85°C±2 °C, when the capacitors are restored to 20 °C, capacitors shall meet the following limits.	
	Capacitance change	Within ±20 % of the initial value
	tan δ	≤ 150 % of the initial limit
	DC leakage current	Within the initial limit
Shelf life	After storage for 1000 hours at +85 °C±2 °C with no voltage applied and then being stabilized at +20 °C, capacitors shall meet the limits specified in Endurance. (With voltage treatment)	

### Frequency correction factor for ripple current

Frequency (Hz)	50, 60	120	1 k	10 k to
Correction factor	0.70	1.00	1.30	1.70

### Dimensions



(Unit : mm)

φD	5	6.3	8	10	12.5	16	18
φd	0.5	0.5	0.6	0.6	0.6	0.8	0.8
F	2.0	2.5	3.5	5.0	5.0	7.5	7.5

## Characteristics list

Endurance : 85 °C 2000 h

Rated voltage (V.DC)	Cap. (±20 %) (μF)	Case size (mm)		Specification		Lead length (mm)			Part No.	Min. Packaging Q'ty		
		φD	L	Ripple current (120 Hz) (+85 °C) (mA r.m.s.)	tan δ (120 Hz) (+20 °C)	Lead dia. φd	Lead space			Straight leads (pcs)	Taping (pcs)	
							Straight	Taping *B				Taping *i
6.3	220	5	11	240	0.28	0.5	2.0	5.0	2.5	ECA0JM221( )	200	2000
	470	6.3	11.2	380	0.28	0.5	2.5	5.0	2.5	ECA0JM471( )	200	2000
	1000	8	11.5	580	0.28	0.6	3.5	5.0		ECA0JM102( )	200	1000
	2200	10	16	890	0.30	0.6	5.0	5.0		ECA0JM222( )	200	500
	3300	10	20	1020	0.32	0.6	5.0	5.0		ECA0JM332( )	200	500
	4700	12.5	20	1170	0.34	0.6	5.0	5.0		ECA0JM472( )	200	500
	6800	12.5	25	1270	0.38	0.6	5.0	5.0		ECA0JM682( )	200	500
	10000	16	25	1450	0.46	0.8	7.5	7.5		ECA0JM103( )	100	250
	15000	16	31.5	1700	0.56	0.8	7.5			ECA0JM153	100	
	22000	18	35.5	1900	0.70	0.8	7.5			ECA0JM223	50	
10	330	6.3	11.2	330	0.24	0.5	2.5	5.0	2.5	ECA1AM331( )	200	2000
	1000	10	12.5	630	0.24	0.6	5.0	5.0		ECA1AM102( )	200	500
	2200	10	20	920	0.26	0.6	5.0	5.0		ECA1AM222( )	200	500
	3300	12.5	20	1090	0.28	0.6	5.0	5.0		ECA1AM332( )	200	500
	4700	12.5	25	1200	0.30	0.6	5.0	5.0		ECA1AM472( )	200	500
	6800	16	25	1400	0.34	0.8	7.5	7.5		ECA1AM682( )	100	250
	10000	16	31.5	1600	0.42	0.8	7.5			ECA1AM103	100	
	15000	18	35.5	1850	0.52	0.8	7.5			ECA1AM153	50	
16	10	5	11	30	0.20	0.5	2.0	5.0	2.5	ECA1CM100( )	200	2000
	22	5	11	75	0.20	0.5	2.0	5.0	2.5	ECA1CM220( )	200	2000
	33	5	11	110	0.20	0.5	2.0	5.0	2.5	ECA1CM330( )	200	2000
	47	5	11	130	0.20	0.5	2.0	5.0	2.5	ECA1CM470( )	200	2000
	100	5	11	180	0.20	0.5	2.0	5.0	2.5	ECA1CM101( )	200	2000
	220	6.3	11.2	280	0.20	0.5	2.5	5.0	2.5	ECA1CM221( )	200	2000
	470	8	11.5	440	0.20	0.6	3.5	5.0		ECA1CM471( )	200	1000
	1000	10	16	680	0.20	0.6	5.0	5.0		ECA1CM102( )	200	500
	2200	12.5	20	1000	0.22	0.6	5.0	5.0		ECA1CM222( )	200	500
	3300	12.5	25	1200	0.24	0.6	5.0	5.0		ECA1CM332( )	200	500
	4700	16	25	1360	0.26	0.8	7.5	7.5		ECA1CM472( )	100	250
	6800	16	31.5	1600	0.30	0.8	7.5			ECA1CM682	100	
10000	18	35.5	1800	0.38	0.8	7.5			ECA1CM103	50		
25	100	6.3	11.2	180	0.16	0.5	2.5	5.0	2.5	ECA1EM101( )	200	2000
	330	8	11.5	390	0.16	0.6	3.5	5.0		ECA1EM331( )	200	1000
	470	10	12.5	480	0.16	0.6	5.0	5.0		ECA1EM471( )	200	500
	1000	10	20	850	0.16	0.6	5.0	5.0		ECA1EM102( )	200	500
	2200	12.5	25	1200	0.18	0.6	5.0	5.0		ECA1EM222( )	200	500
	3300	16	25	1300	0.20	0.8	7.5	7.5		ECA1EM332( )	100	250
	4700	16	31.5	1500	0.22	0.8	7.5			ECA1EM472	100	
	6800	18	35.5	1750	0.26	0.8	7.5			ECA1EM682	50	

· When requesting taped product, please put the letter "B" or "i" between the "( )". Lead wire pitch \*B=5 mm, 7.5 mm, i=2.5 mm.  
 · Please refer to the page of "Taping dimensions".

## Characteristics list

Endurance : 85 °C 2000 h

Rated voltage (V.DC)	Cap. (±20 %) (μF)	Case size (mm)		Specification		Lead length (mm)			Part No.	Min. Packaging Q'ty		
		φD	L	Ripple current (120 Hz) (+85 °C) (mA r.m.s.)	tan δ (120 Hz) (+20 °C)	Lead dia. φd	Lead space			Straight leads (pcs)	Taping (pcs)	
							Straight	Taping *B				Taping *i
35	47	5	11	130	0.14	0.5	2.0	5.0	2.5	ECA1VM470( )	200	2000
	100	6.3	11.2	210	0.14	0.5	2.5	5.0	2.5	ECA1VM101( )	200	2000
	220	8	11.5	350	0.14	0.6	3.5	5.0		ECA1VM221( )	200	1000
	330	10	12.5	440	0.14	0.6	5.0	5.0		ECA1VM331( )	200	500
	470	10	16	550	0.14	0.6	5.0	5.0		ECA1VM471( )	200	500
	1000	12.5	20	900	0.14	0.6	5.0	5.0		ECA1VM102( )	200	500
	2200	16	25	1250	0.16	0.8	7.5	7.5		ECA1VM222( )	100	250
	3300	16	31.5	1400	0.18	0.8	7.5			ECA1VM332	100	
	4700	18	35.5	1600	0.20	0.8	7.5			ECA1VM472	50	
50	2.2	5	11	20	0.12	0.5	2.0	5.0	2.5	ECA1HM2R2( )	200	2000
	3.3	5	11	35	0.12	0.5	2.0	5.0	2.5	ECA1HM3R3( )	200	2000
	4.7	5	11	45	0.12	0.5	2.0	5.0	2.5	ECA1HM4R7( )	200	2000
	10	5	11	65	0.12	0.5	2.0	5.0	2.5	ECA1HM100( )	200	2000
	22	5	11	100	0.12	0.5	2.0	5.0	2.5	ECA1HM220( )	200	2000
	33	5	11	110	0.12	0.5	2.0	5.0	2.5	ECA1HM330( )	200	2000
	47	6.3	11.2	130	0.12	0.5	2.5	5.0	2.5	ECA1HM470( )	200	2000
	100	8	11.5	250	0.12	0.6	3.5	5.0		ECA1HM101( )	200	1000
	220	10	12.5	400	0.12	0.6	5.0	5.0		ECA1HM221( )	200	500
	330	10	16	500	0.12	0.6	5.0	5.0		ECA1HM331( )	200	500
	470	10	20	650	0.12	0.6	5.0	5.0		ECA1HM471( )	200	500
	1000	12.5	25	1050	0.12	0.6	5.0	5.0		ECA1HM102( )	200	500
	2200	16	31.5	1300	0.14	0.8	7.5			ECA1HM222	100	
3300	18	35.5	1500	0.16	0.8	7.5			ECA1HM332	50		
63	10	5	11	70	0.11	0.5	2.0	5.0	2.5	ECA1JM100( )	200	2000
	22	5	11	105	0.11	0.5	2.0	5.0	2.5	ECA1JM220( )	200	2000
	33	6.3	11.2	130	0.11	0.5	2.5	5.0	2.5	ECA1JM330( )	200	2000
	47	6.3	11.2	160	0.11	0.5	2.5	5.0	2.5	ECA1JM470( )	200	2000
	100	8	11.5	270	0.11	0.6	3.5	5.0		ECA1JM101( )	200	1000
	220	10	16	450	0.11	0.6	5.0	5.0		ECA1JM221( )	200	500
	330	10	20	550	0.11	0.6	5.0	5.0		ECA1JM331( )	200	500
	470	12.5	20	750	0.11	0.6	5.0	5.0		ECA1JM471( )	200	500
	1000	16	25	1100	0.11	0.8	7.5	7.5		ECA1JM102( )	100	250
	2200	18	35.5	1400	0.13	0.8	7.5			ECA1JM222	50	

· When requesting taped product, please put the letter "B" or "i" between the "( )". Lead wire pitch \*B=5 mm, 7.5 mm, i=2.5 mm.

· Please refer to the page of "Taping dimensions".

## Characteristics list

Endurance : 85 °C 2000 h

Rated voltage (V.DC)	Cap. (±20 %) (μF)	Case size (mm)		Specification		Lead length (mm)			Part No.	Min. Packaging Q'ty		
		φD	L	Ripple current (120 Hz) (+85 °C) (mA r.m.s.)	tan δ (120 Hz) (+20 °C)	Lead dia. φd	Lead space			Straight leads (pcs)	Taping (pcs)	
							Straight	Taping *B				Taping *i
100	2.2	5	11	30	0.10	0.5	2.0	5.0	2.5	ECA2AM2R2( )	200	2000
	3.3	5	11	40	0.10	0.5	2.0	5.0	2.5	ECA2AM3R3( )	200	2000
	4.7	5	11	50	0.10	0.5	2.0	5.0	2.5	ECA2AM4R7( )	200	2000
	10	5	11	70	0.10	0.5	2.0	5.0	2.5	ECA2AM100( )	200	2000
	22	6.3	11.2	115	0.10	0.5	2.5	5.0	2.5	ECA2AM220( )	200	2000
	33	8	11.5	145	0.10	0.6	3.5	5.0		ECA2AM330( )	200	1000
	47	8	11.5	180	0.10	0.6	3.5	5.0		ECA2AM470( )	200	1000
	100	10	16	350	0.10	0.6	5.0	5.0		ECA2AM101( )	200	500
	220	12.5	20	550	0.10	0.6	5.0	5.0		ECA2AM221( )	200	500
	330	12.5	25	700	0.10	0.6	5.0	5.0		ECA2AM331( )	200	500
	470	16	25	900	0.10	0.8	7.5	7.5		ECA2AM471( )	100	250
1000	18	35.5	1300	0.10	0.8	7.5			ECA2AM102	50		
160	1	6.3	11.2	36	0.16	0.5	2.5	5.0	2.5	ECA2CM010( )	200	2000
	2.2	6.3	11.2	53	0.16	0.5	2.5	5.0	2.5	ECA2CM2R2( )	200	2000
	3.3	6.3	11.2	66	0.16	0.5	2.5	5.0	2.5	ECA2CM3R3( )	200	2000
	4.7	6.3	11.2	78	0.16	0.5	2.5	5.0	2.5	ECA2CM4R7( )	200	2000
	10	10	12.5	105	0.16	0.6	5.0	5.0		ECA2CM100( )	200	500
	22	10	16	175	0.16	0.6	5.0	5.0		ECA2CM220( )	200	500
	33	10	20	235	0.16	0.6	5.0	5.0		ECA2CM330( )	200	500
	47	12.5	20	320	0.16	0.6	5.0	5.0		ECA2CM470( )	200	500
	100	12.5	25	515	0.16	0.6	5.0	5.0		ECA2CM101( )	200	500
	220	16	31.5	830	0.16	0.8	7.5			ECA2CM221	100	
	330	18	31.5	1090	0.16	0.8	7.5			ECA2CM331	50	
470	18	40	1440	0.16	0.8	7.5			ECA2CM471	50		
200	1	6.3	11.2	34	0.18	0.5	2.5	5.0	2.5	ECA2DM010( )	200	2000
	2.2	6.3	11.2	50	0.18	0.5	2.5	5.0	2.5	ECA2DM2R2( )	200	2000
	3.3	6.3	11.2	62	0.18	0.5	2.5	5.0	2.5	ECA2DM3R3( )	200	2000
	4.7	8	11.5	86	0.18	0.6	3.5	5.0		ECA2DM4R7( )	200	1000
	10	10	12.5	100	0.18	0.6	5.0	5.0		ECA2DM100( )	200	500
	22	10	20	180	0.18	0.6	5.0	5.0		ECA2DM220( )	200	500
	33	10	20	220	0.18	0.6	5.0	5.0		ECA2DM330( )	200	500
	47	12.5	20	300	0.18	0.6	5.0	5.0		ECA2DM470( )	200	500
	100	16	25	475	0.18	0.8	7.5	7.5		ECA2DM101( )	100	250
	220	18	31.5	835	0.18	0.8	7.5			ECA2DM221	50	
330	18	40	1140	0.18	0.8	7.5			ECA2DM331	50		

· When requesting taped product, please put the letter "B" or "i" between the "( )". Lead wire pitch \*B=5 mm, 7.5 mm, i=2.5 mm.

· Please refer to the page of "Taping dimensions".

## Characteristics list

Endurance : 85 °C 2000 h

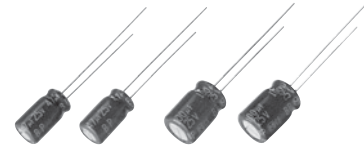
Rated voltage (V.DC)	Cap. (±20 %) (μF)	Case size (mm)		Specification		Lead length (mm)			Part No.	Min. Packaging Q'ty		
		φD	L	Ripple current (120 Hz) (+85 °C) (mA r.m.s.)	tan δ (120 Hz) (+20 °C)	Lead dia. φd	Lead space			Straight leads (pcs)	Taping (pcs)	
							Straight	Taping *B				Taping *i
250	1	6.3	11.2	34	0.18	0.5	2.5	5.0	2.5	ECA2EM010( )	200	2000
	2.2	6.3	11.2	50	0.18	0.5	2.5	5.0	2.5	ECA2EM2R2( )	200	2000
	3.3	8	11.5	72	0.18	0.6	3.5	5.0		ECA2EM3R3( )	200	1000
	4.7	8	11.5	86	0.18	0.6	3.5	5.0		ECA2EM4R7( )	200	1000
	10	10	16	110	0.18	0.6	5.0	5.0		ECA2EM100( )	200	500
	22	10	20	180	0.18	0.6	5.0	5.0		ECA2EM220( )	200	500
	33	12.5	20	250	0.18	0.6	5.0	5.0		ECA2EM330( )	200	500
	47	12.5	25	330	0.18	0.6	5.0	5.0		ECA2EM470( )	200	500
	100	16	31.5	530	0.18	0.8	7.5			ECA2EM101	100	
	220	18	40	930	0.18	0.8	7.5			ECA2EM221	50	
350	1	6.3	11.2	32	0.20	0.5	2.5	5.0	2.5	ECA2VM010( )	200	2000
	2.2	8	11.5	55	0.20	0.6	3.5	5.0		ECA2VM2R2( )	200	1000
	3.3	8	11.5	60	0.20	0.6	3.5	5.0		ECA2VM3R3( )	200	1000
	4.7	10	12.5	65	0.20	0.6	5.0	5.0		ECA2VM4R7( )	200	500
	10	10	20	115	0.20	0.6	5.0	5.0		ECA2VM100( )	200	500
	22	12.5	20	195	0.20	0.6	5.0	5.0		ECA2VM220( )	200	500
	33	16	25	300	0.20	0.8	7.5	7.5		ECA2VM330( )	100	250
	47	16	25	325	0.20	0.8	7.5	7.5		ECA2VM470( )	100	250
	100	18	31.5	535	0.20	0.8	7.5			ECA2VM101	50	
400	1	6.3	11.2	32	0.20	0.5	2.5	5.0	2.5	ECA2GM010( )	200	2000
	2.2	8	11.5	50	0.20	0.6	3.5	5.0		ECA2GM2R2( )	200	1000
	3.3	10	12.5	54	0.20	0.6	5.0	5.0		ECA2GM3R3( )	200	500
	4.7	10	16	72	0.20	0.6	5.0	5.0		ECA2GM4R7( )	200	500
	10	10	20	115	0.20	0.6	5.0	5.0		ECA2GM100( )	200	500
	22	12.5	25	215	0.20	0.6	5.0	5.0		ECA2GM220( )	200	500
	33	16	25	275	0.20	0.8	7.5	7.5		ECA2GM330( )	100	250
	47	16	31.5	350	0.20	0.8	7.5			ECA2GM470	100	
	100	18	40	600	0.20	0.8	7.5			ECA2GM101	50	
450	1	8	11.5	37	0.20	0.6	3.5	5.0		ECA2WM010( )	200	1000
	2.2	10	12.5	44	0.20	0.6	5.0	5.0		ECA2WM2R2( )	200	500
	3.3	10	16	60	0.20	0.6	5.0	5.0		ECA2WM3R3( )	200	500
	4.7	10	20	79	0.20	0.6	5.0	5.0		ECA2WM4R7( )	200	500
	10	12.5	20	130	0.20	0.6	5.0	5.0		ECA2WM100( )	200	500
	22	16	25	210	0.20	0.8	7.5	7.5		ECA2WM220( )	100	250
	33	16	31.5	285	0.20	0.8	7.5			ECA2WM330	100	

· When requesting taped product, please put the letter "B" or "i" between the "( )". Lead wire pitch \*B=5 mm, 7.5 mm, i=2.5 mm.

· Please refer to the page of "Taping dimensions".

## Radial Lead Type

Series : **SU (Bi-polar)** Type : **A**



### Features

- Endurance : 85 °C 2000 h
- RoHS compliant

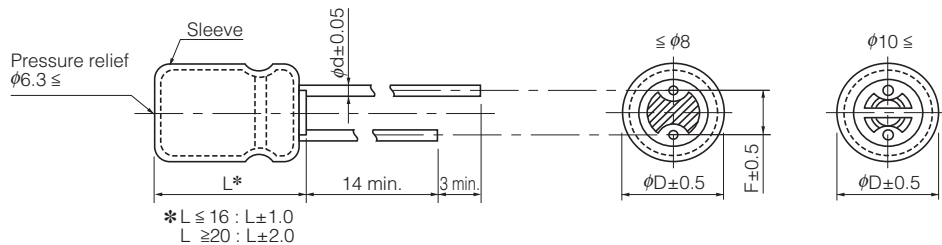
### Specifications

Category temperature range	-40 °C to +85 °C	
Rated voltage range	6.3 V.DC to 50 V.DC	
Capacitance range	2.2 μF to 6800 μF	
Capacitance tolerance	±20 % (120 Hz/+20 °C)	
Leakage current	I ≤ 0.03 CV +3 (μA) After 5 minutes	
Dissipation factor (tan δ)	Please see the attached characteristics list	
Endurance	After 2000 hours application of DC working voltage (1000 hours for each polarity) at +85 °C±2 °C, when the capacitors are restored to 20 °C, the capacitors shall meet the following limits.	
	Capacitance change	Within ±20 % of the initial value
	tan δ	≤ 150 % of the initial limit
	DC leakage current	Within the initial limit
Shelf life	After storage for 1000 hours at +85 °C±2 °C with no voltage applied and then being stabilized at +20 °C capacitors shall meet the limits specified in Endurance. (With voltage treatment)	

### Frequency correction factor for ripple current

Frequency (Hz)	50, 60	120	1 k	10 k to
Correction factor	0.70	1.00	1.30	1.70

### Dimensions



(Unit : mm)

φD	5	6.3	8	10	12.5	16	18
φd	0.5	0.5	0.6	0.6	0.6	0.8	0.8
F	2.0	2.5	3.5	5.0	5.0	7.5	7.5

## Characteristics list (Bi-polar)

Endurance : 85 °C 2000 h (1000 hours for each polarity)

Rated voltage (V.DC)	Cap. (±20 %) (μF)	Case size (mm)		Specification		Lead length (mm)			Part No.	Min. Packaging Q'ty		
		φD	L	Ripple current (120 Hz) (+85 °C) (mA r.m.s.)	tan δ (120 Hz) (+20 °C)	Lead dia. φd	Lead space			Straight leads (pcs)	Taping (pcs)	
							Straight	Taping *B				Taping *i
6.3	330	8	11.5	250	0.30	0.6	3.5	5.0		ECEA0JN331U( )	200	1000
	470	10	12.5	310	0.30	0.6	5.0	5.0		ECEA0JN471X( )	200	500
	1000	10	20	430	0.30	0.6	5.0	5.0		ECEA0JN102U( )	200	500
	2200	12.5	25	660	0.32	0.6	5.0	5.0		ECEA0JN222U( )	200	500
	3300	16	25	760	0.34	0.8	7.5	7.5		ECEA0JN332U( )	100	250
	4700	16	31.5	1170	0.36	0.8	7.5			ECEA0JN472U	100	
	6800	18	35.5	1450	0.40	0.8	7.5			ECEA0JN682U	50	
10	47	5	11	90	0.25	0.5	2.0	5.0	2.5	ECEA1AN470U( )	200	2000
	100	6.3	11.2	130	0.25	0.5	2.5	5.0	2.5	ECEA1AN101X( )	200	2000
	220	8	11.5	200	0.25	0.6	3.5	5.0		ECEA1AN221U( )	200	1000
	330	10	16	280	0.25	0.6	5.0	5.0		ECEA1AN331U( )	200	500
	470	10	16	340	0.25	0.6	5.0	5.0		ECEA1AN471U( )	200	500
	1000	12.5	20	470	0.25	0.6	5.0	5.0		ECEA1AN102X( )	200	500
	2200	16	25	690	0.27	0.8	7.5	7.5		ECEA1AN222U( )	100	250
	3300	16	31.5	1090	0.29	0.8	7.5			ECEA1AN332U	100	
4700	18	35.5	1200	0.31	0.8	7.5			ECEA1AN472U	50		
16	10	5	11	40	0.20	0.5	2.0	5.0	2.5	ECEA1CN100U( )	200	2000
	22	5	11	60	0.20	0.5	2.0	5.0	2.5	ECEA1CN220U( )	200	2000
	33	5	11	80	0.20	0.5	2.0	5.0	2.5	ECEA1CN330U( )	200	2000
	47	6.3	11.2	100	0.20	0.5	2.5	5.0	2.5	ECEA1CN470U( )	200	2000
	220	10	12.5	260	0.20	0.6	5.0	5.0		ECEA1CN221X( )	200	500
	330	10	16	330	0.20	0.6	5.0	5.0		ECEA1CN331U( )	200	500
	470	10	20	380	0.20	0.6	5.0	5.0		ECEA1CN471U( )	200	500
	1000	12.5	25	560	0.20	0.6	5.0	5.0		ECEA1CN102U( )	200	500
	2200	16	31.5	750	0.22	0.8	7.5			ECEA1CN222U	100	
3300	18	35.5	900	0.24	0.8	7.5			ECEA1CN332U	50		
25	10	5	11	45	0.15	0.5	2.0	5.0	2.5	ECEA1EN100U( )	200	2000
	22	5	11	60	0.15	0.5	2.0	5.0	2.5	ECEA1EN220X( )	200	2000
	33	6.3	11.2	90	0.15	0.5	2.5	5.0	2.5	ECEA1EN330U( )	200	2000
	47	6.3	11.2	110	0.15	0.5	2.5	5.0	2.5	ECEA1EN470U( )	200	2000
	100	8	11.5	180	0.15	0.6	3.5	5.0		ECEA1EN101U( )	200	1000
	220	10	16	320	0.15	0.6	5.0	5.0		ECEA1EN221U( )	200	500
	330	12.5	20	350	0.15	0.6	5.0	5.0		ECEA1EN331U( )	200	500
	470	12.5	20	430	0.15	0.6	5.0	5.0		ECEA1EN471U( )	200	500
	1000	16	25	680	0.15	0.8	7.5	7.5		ECEA1EN102U( )	100	250
2200	18	35.5	900	0.17	0.8	7.5			ECEA1EN222U	50		
35	10	5	11	43	0.15	0.5	2.0	5.0	2.5	ECEA1VN100U( )	200	2000
	22	6.3	11.2	80	0.15	0.5	2.5	5.0	2.5	ECEA1VN220U( )	200	2000
	33	8	11.5	100	0.15	0.6	3.5	5.0		ECEA1VN330U( )	200	1000
	47	8	11.5	120	0.15	0.6	3.5	5.0		ECEA1VN470U( )	200	1000
	100	10	16	230	0.15	0.6	5.0	5.0		ECEA1VN101U( )	200	500
	220	12.5	20	360	0.15	0.6	5.0	5.0		ECEA1VN221U( )	200	500
	330	12.5	20	450	0.15	0.6	5.0	5.0		ECEA1VN331U( )	200	500
	470	12.5	25	590	0.15	0.6	5.0	5.0		ECEA1VN471U( )	200	500

· When requesting taped product, please put the letter "B" or "i" between the "( )". Lead wire pitch \*B=5 mm, 7.5 mm, i=2.5 mm.

· Please refer to the page of "Taping dimensions".

## Characteristics list (Bi-polar)

Endurance : 85 °C 2000 h (1000 hours for each polarity)

Rated voltage (V.DC)	Cap. (±20 %) (μF)	Case size (mm)		Specification		Lead length (mm)			Part No.	Min. Packaging Q'ty		
		φD	L	Ripple current (120 Hz) (+85 °C) (mA r.m.s.)	tan δ (120 Hz) (+20 °C)	Lead dia. φd	Lead space			Straight leads (pcs)	Taping (pcs)	
							Straight	Taping *B				Taping *i
50	2.2	5	11	18	0.15	0.5	2.0	5.0	2.5	ECEA1HN2R2U( )	200	2000
	3.3	5	11	25	0.15	0.5	2.0	5.0	2.5	ECEA1HN3R3U( )	200	2000
	4.7	5	11	30	0.15	0.5	2.0	5.0	2.5	ECEA1HN4R7U( )	200	2000
	10	6.3	11.2	50	0.15	0.5	2.5	5.0	2.5	ECEA1HN100U( )	200	2000
	22	8	11.5	90	0.15	0.6	3.5	5.0		ECEA1HN220U( )	200	1000
	33	8	11.5	110	0.15	0.6	3.5	5.0		ECEA1HN330U( )	200	1000
	47	10	12.5	140	0.15	0.6	5.0	5.0		ECEA1HN470U( )	200	500
	100	10	20	250	0.15	0.6	5.0	5.0		ECEA1HN101U( )	200	500
	220	12.5	25	360	0.15	0.6	5.0	5.0		ECEA1HN221U( )	200	500
	330	16	25	450	0.15	0.8	7.5	7.5		ECEA1HN331U( )	100	250
470	16	31.5	590	0.15	0.8	7.5			ECEA1HN471U	100		

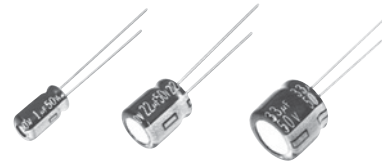
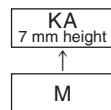
· When requesting taped product, please put the letter "B" or "i" between the "( )". Lead wire pitch \*B=5 mm, 7.5 mm, i=2.5 mm.

· Please refer to the page of "Taping dimensions".

## Radial Lead Type

Series : **KA** Type : **A**

Low Profile



### Features

- Endurance : 85 °C 1000 h
- 7 mm height
- RoHS compliant

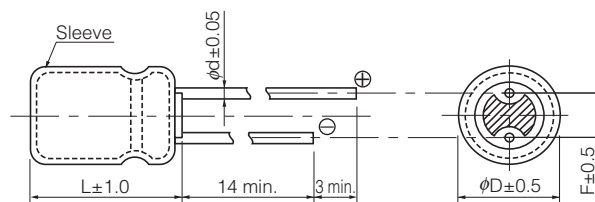
### Specifications

Category temperature range	-40 °C to +85 °C	
Rated voltage range	4 V.DC to 50 V.DC	
Capacitance range	2.2 μF to 470 μF	
Capacitance tolerance	±20 % (120 Hz/+20 °C)	
Leakage current	$I \leq 0.01 CV$ or 3 (μA) After 2 minutes (Whichever is greater)	
Dissipation factor (tan δ)	Please see the attached characteristics list	
Endurance	After applying rated working voltage for 1000 hours at +85 °C±2 °C when the capacitors are restored to 20 °C, capacitors shall meet the following limits.	
	Capacitance change	Within ±20 % of the initial value
	tan δ	≤ 200 % of the initial limit
	DC leakage current	Within the initial limit
Shelf life	After storage for 1000 hours at +85 °C±2 °C with no voltage applied and then being stabilized at +20 °C, capacitors shall meet the limits specified in Endurance (With voltage treatment)	

### Frequency correction factor for ripple current

Frequency (Hz)	50, 60	120	1 k	10 k to
Correction factor	0.70	1.00	1.30	1.70

### Dimensions



(Unit : mm)

$\phi D$	4	5	6.3	8
$\phi d$	0.45	0.45	0.45	0.45
F	1.5	2.0	2.5	2.5

## Characteristics list

Endurance : 85 °C 1000 h

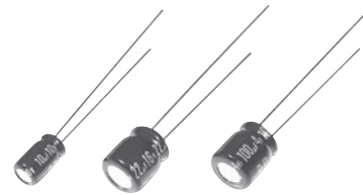
Rated voltage (V.DC)	Cap. (±20 %) (μF)	Case size (mm)		Specification		Lead length (mm)			Part No.	Min. Packaging Q'ty		
		φD	L	Ripple current (120 Hz) (+85 °C) (mA r.m.s.)	tan δ (120 Hz) (+20 °C)	Lead dia. φd	Lead space			Straight leads (pcs)	Taping (pcs)	
							Straight	Taping *B				Taping *i
4	47	4	7	34	0.35	0.45	1.5	5.0	2.5	ECEA0GKA470( )	200	2000
	100	5	7	61	0.35	0.45	2.0	5.0	2.5	ECEA0GKA101( )	200	2000
	220	6.3	7	82	0.35	0.45	2.5	5.0	2.5	ECEA0GKA221( )	200	2000
	330	8	7	110	0.35	0.45	2.5		2.5	ECEA0GKA331( )	200	1000
		8	7	110	0.35	0.45		5.0		ECEA0GKA331Q		1000
	470	8	7	140	0.35	0.45	2.5		2.5	ECEA0GKA471( )	200	1000
8		7	140	0.35	0.45		5.0		ECEA0GKA471Q		1000	
6.3	47	4	7	46	0.24	0.45	1.5	5.0	2.5	ECEA0JKA470( )	200	2000
	100	5	7	71	0.24	0.45	2.0	5.0	2.5	ECEA0JKA101( )	200	2000
	220	6.3	7	103	0.24	0.45	2.5	5.0	2.5	ECEA0JKA221( )	200	2000
	330	8	7	130	0.24	0.45	2.5		2.5	ECEA0JKA331( )	200	1000
		8	7	130	0.24	0.45		5.0		ECEA0JKA331Q		1000
10	33	4	7	43	0.20	0.45	1.5	5.0	2.5	ECEA1AKA330( )	200	2000
	100	6.3	7	80	0.20	0.45	2.5	5.0	2.5	ECEA1AKA101( )	200	2000
	220	8	7	120	0.20	0.45	2.5		2.5	ECEA1AKA221( )	200	1000
		8	7	120	0.20	0.45		5.0		ECEA1AKA221Q		1000
16	10	4	7	28	0.16	0.45	1.5	5.0	2.5	ECEA1CKA100( )	200	2000
	22	4	7	39	0.16	0.45	1.5	5.0	2.5	ECEA1CKA220( )	200	2000
	33	5	7	60	0.16	0.45	2.0	5.0	2.5	ECEA1CKA330( )	200	2000
	47	5	7	70	0.16	0.45	2.0	5.0	2.5	ECEA1CKA470( )	200	2000
	100	6.3	7	91	0.16	0.45	2.5	5.0	2.5	ECEA1CKA101( )	200	2000
25	10	4	7	28	0.14	0.45	1.5	5.0	2.5	ECEA1EKA100( )	200	2000
	22	5	7	55	0.14	0.45	2.0	5.0	2.5	ECEA1EKA220( )	200	2000
	33	6.3	7	65	0.14	0.45	2.5	5.0	2.5	ECEA1EKA330( )	200	2000
	47	6.3	7	70	0.14	0.45	2.5	5.0	2.5	ECEA1EKA470( )	200	2000
35	10	5	7	30	0.12	0.45	2.0	5.0	2.5	ECEA1VKA100( )	200	2000
	22	6.3	7	60	0.12	0.45	2.5	5.0	2.5	ECEA1VKA220( )	200	2000
	33	6.3	7	65	0.12	0.45	2.5	5.0	2.5	ECEA1VKA330( )	200	2000
	47	8	7	85	0.12	0.45	2.5		2.5	ECEA1VKA470( )	200	1000
		8	7	85	0.12	0.45		5.0		ECEA1VKA470Q		1000
50	2.2	4	7	16	0.10	0.45	1.5	5.0	2.5	ECEA1HKA2R2( )	200	2000
	3.3	4	7	18	0.10	0.45	1.5	5.0	2.5	ECEA1HKA3R3( )	200	2000
	4.7	4	7	23	0.10	0.45	1.5	5.0	2.5	ECEA1HKA4R7( )	200	2000
	10	5	7	35	0.10	0.45	2.0	5.0	2.5	ECEA1HKA100( )	200	2000
	22	6.3	7	60	0.10	0.45	2.5	5.0	2.5	ECEA1HKA220( )	200	2000
	33	8	7	75	0.10	0.45	2.5		2.5	ECEA1HKA330( )	200	1000
8		7	75	0.10	0.45		5.0		ECEA1HKA330Q		1000	

· When requesting taped product, please put the letter "B" or "i" between the "( )". Lead wire pitch \*B=5 mm, i=2.5 mm.

· Please refer to the page of "Taping dimensions".

## Radial Lead Type

Series : **KA (Bi-polar)** Type : **A**



### Features

- Endurance : 85 °C 1000 h
- 7 mm height
- RoHS compliant

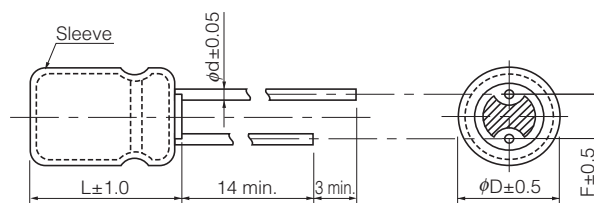
### Specifications

Category temperature range	-40 °C to +85 °C	
Rated voltage range	4 V.DC to 50 V.DC	
Capacitance range	2.2 μF to 100 μF	
Capacitance tolerance	±20 % (120 Hz/+20 °C)	
Leakage current	I ≤ 0.05 CV or 10 (μA) After 2 minutes (Whichever is greater)	
Dissipation factor (tan δ)	Please see the attached characteristics list	
Endurance	After 1000 hours application of DC working voltage (500 hours for each polarity) at +85 °C±2 °C, when the capacitors are restored to 20 °C, the capacitors shall meet the following limits.	
	Capacitance change	Within ±20 % of the initial value
	tan δ	≤ 200 % of the initial limit
Shelf life	DC leakage current	Within the initial limit
	After storage for 1000 hours at +85 °C±2 °C with no voltage applied and then being stabilized at +20 °C, capacitors shall meet the limits specified in Endurance (With voltage treatment)	

### Frequency correction factor for ripple current

Frequency (Hz)	50, 60	120	1 k	10 k to
Correction factor	0.70	1.00	1.30	1.70

### Dimensions



(Unit : mm)

φD	4	5	6.3
φd	0.45	0.45	0.45
F	1.5	2.0	2.5

## Characteristics list (Bi-polar)

Endurance : 85 °C 1000 h (500hours for each polarity)

Rated voltage (V.DC)	Cap. (±20 %) (μF)	Case size (mm)		Specification		Lead length (mm)			Part No.	Min. Packaging Q'ty		
		φD	L	Ripple current (120 Hz) (+85 °C) (mA r.m.s.)	tan δ (120 Hz) (+20 °C)	Lead dia. φd	Lead space			Straight leads (pcs)	Taping (pcs)	
							Straight	Taping *B				Taping *i
4	100	6.3	7	61	0.35	0.45	2.5	5.0	2.5	ECEA0GKN101( )	200	2000
6.3	22	5	7	29	0.24	0.45	2.0	5.0	2.5	ECEA0JKN220( )	200	2000
	33	5	7	38	0.24	0.45	2.0	5.0	2.5	ECEA0JKN330( )	200	2000
	47	6.3	7	46	0.24	0.45	2.5	5.0	2.5	ECEA0JKN470( )	200	2000
10	10	4	7	25	0.20	0.45	1.5	5.0	2.5	ECEA1AKN100( )	200	2000
	22	5	7	35	0.20	0.45	2.0	5.0	2.5	ECEA1AKN220( )	200	2000
	33	6.3	7	43	0.20	0.45	2.5	5.0	2.5	ECEA1AKN330( )	200	2000
	47	6.3	7	65	0.20	0.45	2.5	5.0	2.5	ECEA1AKN470( )	200	2000
16	4.7	4	7	20	0.16	0.45	1.5	5.0	2.5	ECEA1CKN4R7( )	200	2000
	10	5	7	25	0.16	0.45	2.0	5.0	2.5	ECEA1CKN100( )	200	2000
	22	6.3	7	39	0.16	0.45	2.5	5.0	2.5	ECEA1CKN220( )	200	2000
	33	6.3	7	60	0.16	0.45	2.5	5.0	2.5	ECEA1CKN330( )	200	2000
25	3.3	4	7	16	0.16	0.45	1.5	5.0	2.5	ECEA1EKN3R3( )	200	2000
	4.7	5	7	21	0.16	0.45	2.0	5.0	2.5	ECEA1EKN4R7( )	200	2000
	10	6.3	7	28	0.16	0.45	2.5	5.0	2.5	ECEA1EKN100( )	200	2000
	22	6.3	7	55	0.16	0.45	2.5	5.0	2.5	ECEA1EKN220( )	200	2000
35	2.2	4	7	12	0.14	0.45	1.5	5.0	2.5	ECEA1VKN2R2( )	200	2000
	3.3	5	7	16	0.14	0.45	2.0	5.0	2.5	ECEA1VKN3R3( )	200	2000
	4.7	5	7	22	0.14	0.45	2.0	5.0	2.5	ECEA1VKN4R7( )	200	2000
	10	6.3	7	30	0.14	0.45	2.5	5.0	2.5	ECEA1VKN100( )	200	2000
50	2.2	5	7	16	0.12	0.45	2.0	5.0	2.5	ECEA1HKN2R2( )	200	2000
	3.3	5	7	16	0.12	0.45	2.0	5.0	2.5	ECEA1HKN3R3( )	200	2000
	4.7	6.3	7	23	0.12	0.45	2.5	5.0	2.5	ECEA1HKN4R7( )	200	2000

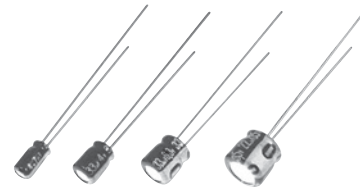
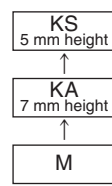
· When requesting taped product, please put the letter "B" or "i" between the "( )". Lead wire pitch \*B=5 mm, 7.5 mm, i=2.5 mm.

· Please refer to the page of "Taping dimensions".

## Radial Lead Type

Series : **KS** Type : **A**

Low Profile



### Features

- Endurance : 85 °C 1000 h
- 5 mm height
- RoHS compliant

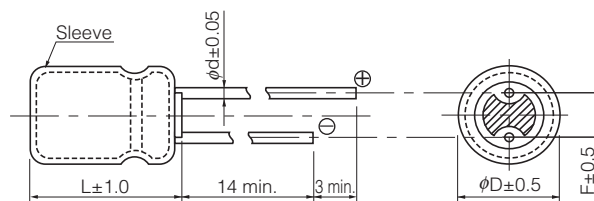
### Specifications

Category temperature range	-40 °C to +85 °C	
Rated voltage range	4 V.DC to 50 V.DC	
Capacitance range	2.2 μF to 330 μF	
Capacitance tolerance	±20 % (120 Hz/+20 °C)	
Leakage current	$I \leq 0.01 CV$ or 3 (μA) After 2 minutes (Whichever is greater)	
Dissipation factor (tan δ)	Please see the attached characteristics list	
Endurance	After applying rated working voltage for 1000 hours at +85 °C±2 °C, when the capacitors are restored to 20°C capacitors, shall meet the following limits.	
	Capacitance change	Within ±20 % of the initial value (4 V.DC : ±30 %)
	tan δ	≤ 200 % of the initial limit
Shelf life	DC leakage current	Within the initial limit
	After storage for 1000 hours at +85 °C±2 °C with no voltage applied and then being stabilized at +20 °C, capacitors shall meet the limits specified in Endurance (With voltage treatment)	

### Frequency correction factor for ripple current

Frequency (Hz)	50, 60	120	1 k	10 k to
Correction factor	0.70	1.00	1.30	1.70

### Dimensions



(Unit : mm)

φD	4	5	6.3	8
φd	0.45	0.45	0.45	0.45
F	1.5	2.0	2.5	2.5

## Characteristics list

Endurance : 85 °C 1000 h

Rated voltage (V.DC)	Cap. (±20 %) (μF)	Case size (mm)		Specification		Lead length (mm)			Part No.	Min. Packaging Q'ty		
		φD	L	Ripple current (120 Hz) (+85 °C) (mA r.m.s.)	tan δ (120 Hz) (+20 °C)	Lead dia. φd	Lead space			Straight leads (pcs)	Taping (pcs)	
							Straight	Taping *B				Taping *i
4	33	4	5	26	0.35	0.45	1.5	5.0	2.5	ECEA0GKS330( )	200	2000
	47	4	5	34	0.35	0.45	1.5	5.0	2.5	ECEA0GKS470( )	200	2000
	100	5	5	61	0.35	0.45	2.0	5.0	2.5	ECEA0GKS101( )	200	2000
	220	6.3	5	82	0.35	0.45	2.5	5.0	2.5	ECEA0GKS221( )	200	2000
6.3	22	4	5	29	0.24	0.45	1.5	5.0	2.5	ECEA0JKS220( )	200	2000
	33	5	5	38	0.24	0.45	2.0	5.0	2.5	ECEA0JKS330( )	200	2000
	47	5	5	46	0.24	0.45	2.0	5.0	2.5	ECEA0JKS470( )	200	2000
	100	6.3	5	71	0.24	0.45	2.5	5.0	2.5	ECEA0JKS101( )	200	2000
	330	8	5	130	0.24	0.45	2.5		2.5	ECEA0JKS331( )	200	1000
		8	5	130	0.24	0.45		5.0		ECEA0JKS331Q		1000
10	22	5	5	35	0.20	0.45	2.0	5.0	2.5	ECEA1AKS220( )	200	2000
	33	5	5	43	0.20	0.45	2.0	5.0	2.5	ECEA1AKS330( )	200	2000
	47	6.3	5	65	0.20	0.45	2.5	5.0	2.5	ECEA1AKS470( )	200	2000
	100	6.3	5	80	0.20	0.45	2.5	5.0	2.5	ECEA1AKS101( )	200	2000
	220	8	5	120	0.20	0.45	2.5		2.5	ECEA1AKS221( )	200	1000
		8	5	120	0.20	0.45		5.0		ECEA1AKS221Q		1000
16	10	4	5	28	0.16	0.45	1.5	5.0	2.5	ECEA1CKS100( )	200	2000
	22	5	5	39	0.16	0.45	2.0	5.0	2.5	ECEA1CKS220( )	200	2000
	33	6.3	5	60	0.16	0.45	2.5	5.0	2.5	ECEA1CKS330( )	200	2000
	47	6.3	5	70	0.16	0.45	2.5	5.0	2.5	ECEA1CKS470( )	200	2000
	100	8	5	91	0.16	0.45	2.5		2.5	ECEA1CKS101( )	200	1000
		8	5	91	0.16	0.45		5.0		ECEA1CKS101Q		1000
25	4.7	4	5	22	0.14	0.45	1.5	5.0	2.5	ECEA1EKS4R7( )	200	2000
	10	5	5	28	0.14	0.45	2.0	5.0	2.5	ECEA1EKS100( )	200	2000
	22	6.3	5	55	0.14	0.45	2.5	5.0	2.5	ECEA1EKS220( )	200	2000
	33	6.3	5	65	0.14	0.45	2.5	5.0	2.5	ECEA1EKS330( )	200	2000
	100	8	5	85	0.14	0.45	2.5		2.5	ECEA1EKS101( )	200	1000
		8	5	85	0.14	0.45		5.0		ECEA1EKS101Q		1000
35	3.3	4	5	16	0.12	0.45	1.5	5.0	2.5	ECEA1VKS3R3( )	200	2000
	4.7	4	5	22	0.12	0.45	1.5	5.0	2.5	ECEA1VKS4R7( )	200	2000
	10	5	5	30	0.12	0.45	2.0	5.0	2.5	ECEA1VKS100( )	200	2000
	22	6.3	5	60	0.12	0.45	2.5	5.0	2.5	ECEA1VKS220( )	200	2000
	33	8	5	65	0.12	0.45	2.5		2.5	ECEA1VKS330( )	200	1000
			8	5	65	0.12	0.45		5.0		ECEA1VKS330Q	
47	8	5	85	0.12	0.45	2.5		2.5	ECEA1VKS470( )	200	1000	
	8	5	85	0.12	0.45		5.0		ECEA1VKS470Q		1000	
50	2.2	4	5	16	0.10	0.45	1.5	5.0	2.5	ECEA1HKS2R2( )	200	2000
	3.3	4	5	16	0.10	0.45	1.5	5.0	2.5	ECEA1HKS3R3( )	200	2000
	4.7	5	5	23	0.10	0.45	2.0	5.0	2.5	ECEA1HKS4R7( )	200	2000
	10	6.3	5	35	0.10	0.45	2.5	5.0	2.5	ECEA1HKS100( )	200	2000
	22	8	5	60	0.10	0.45	2.5		2.5	ECEA1HKS220( )	200	1000
		8	5	60	0.10	0.45		5.0		ECEA1HKS220Q		1000

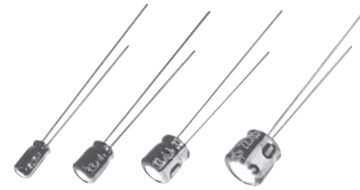
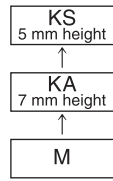
· When requesting taped product, please put the letter "B" or "i" between the "( )". Lead wire pitch \*B=5 mm, i=2.5 mm.

· Please refer to the page of "Taping dimensions".

## Radial Lead Type

Series : **KS (Bi-polar)** Type : **A**

Low Profile



### Features

- Endurance : 85 °C 1000 h
- 5 mm height
- RoHS compliant

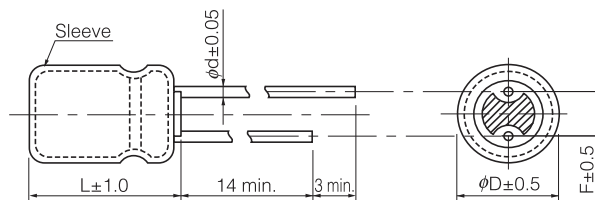
### Specifications

Category temperature range	-40 °C to +85 °C	
Rated voltage range	6.3 V.DC to 50 V.DC	
Capacitance range	2.2 μF to 47 μF	
Capacitance tolerance	±20 % (120 Hz/+20 °C)	
Leakage current	I ≤ 0.05 CV or 10 (μA) After 2 minutes (Whichever is greater)	
Dissipation factor (tan δ)	Please see the attached characteristics list	
Endurance	After 1000 hours application of DC working voltage (500 hours for each polarity) at +85 °C±2 °C, when the capacitors are restored to 20 °C, the capacitors shall meet the following limits.	
	Capacitance change	Within ±20 % of the initial value
	tan δ	≤ 200 % of the initial limit
	DC leakage current	Within the initial limit
Shelf life	After storage for 1000 hours at +85 °C±2 °C with no voltage applied and then being stabilized at +20 °C, capacitors shall meet the limits specified in Endurance (With voltage treatment)	

### Frequency correction factor for ripple current

Frequency (Hz)	50, 60	120	1 k	10 k to
Correction factor	0.70	1.00	1.30	1.70

### Dimensions



(Unit : mm)

$\phi D$	4	5	6.3
$\phi d$	0.45	0.45	0.45
F	1.5	2.0	2.5

## Characteristics list (Bi-polar)

Endurance : 85 °C 1000 h (500hours for each polarity)

Rated voltage (V.DC)	Cap. (±20 %) (μF)	Case size (mm)		Specification		Lead length (mm)			Part No.	Min. Packaging Q'ty		
		φD	L	Ripple current (120 Hz) (+85 °C) (mA r.m.s.)	tan δ (120 Hz) (+20 °C)	Lead dia. φd	Lead space			Straight leads (pcs)	Taping (pcs)	
							Straight	Taping *B				Taping *i
6.3	22	5	5	29	0.24	0.45	2.0	5.0	2.5	ECEA0JSN220( )	200	2000
	33	6.3	5	38	0.24	0.45	2.5	5.0	2.5	ECEA0JSN330( )	200	2000
	47	6.3	5	46	0.24	0.45	2.5	5.0	2.5	ECEA0JSN470( )	200	2000
10	10	4	5	25	0.20	0.45	1.5	5.0	2.5	ECEA1ASN100( )	200	2000
	22	6.3	5	35	0.20	0.45	2.5	5.0	2.5	ECEA1ASN220( )	200	2000
	33	6.3	5	43	0.20	0.45	2.5	5.0	2.5	ECEA1ASN330( )	200	2000
16	4.7	4	5	20	0.20	0.45	1.5	5.0	2.5	ECEA1CSN4R7( )	200	2000
	10	5	5	25	0.20	0.45	2.0	5.0	2.5	ECEA1CSN100( )	200	2000
	22	6.3	5	39	0.20	0.45	2.5	5.0	2.5	ECEA1CSN220( )	200	2000
25	3.3	5	5	18	0.20	0.45	2.0	5.0	2.5	ECEA1ESN3R3( )	200	2000
	4.7	5	5	21	0.20	0.45	2.0	5.0	2.5	ECEA1ESN4R7( )	200	2000
	10	6.3	5	28	0.20	0.45	2.5	5.0	2.5	ECEA1ESN100( )	200	2000
35	2.2	4	5	12	0.20	0.45	1.5	5.0	2.5	ECEA1VSN2R2( )	200	2000
50	2.2	5	5	16	0.20	0.45	2.0	5.0	2.5	ECEA1HSN2R2( )	200	2000

- When requesting taped product, please put the letter "B" or "i" between the "( )". Lead wire pitch \*B=5 mm, i=2.5 mm.
- Please refer to the page of "Taping dimensions".

## CAUTION AND WARNING

1. The electronic components contained in this catalog are designed and produced for use in home electric appliances, office equipment, information equipment, communications equipment, and other general purpose electronic devices.  
Before use of any of these components for equipment that requires a high degree of safety, such as medical instruments, aerospace equipment, disaster-prevention equipment, security equipment, vehicles (automobile, train, vessel), please be sure to contact our sales representative.
2. When applying one of these components for equipment requiring a high degree of safety, no matter what sort of application it might be, be sure to install a protective circuit or redundancy arrangement to enhance the safety of your equipment. In addition, please carry out the safety test on your own responsibility.
3. When using our products, no matter what sort of equipment they might be used for, be sure to make a written agreement on the specifications with us in advance.
4. Technical information contained in this catalog is intended to convey examples of typical performances and/or applications and is not intended to make any warranty with respect to the intellectual property rights or any other related rights of our company or any third parties nor grant any license under such rights.
5. In order to export products in this catalog, the exporter may be subject to the export license requirement under the Foreign Exchange and Foreign Trade Law of Japan.
6. No ozone-depleting substances (ODSs) under the Montreal Protocol are used in the manufacturing processes of Automotive & Industrial Systems Company, Panasonic Corporation.

● Please contact

● Factory

Device Solutions Business Division  
Automotive & Industrial Systems Company  
Panasonic Corporation  
1006 Kadoma, Kadoma City, Osaka 571-8506,  
JAPAN

The information in this catalog is valid as of December 2015.