

# Driver Specification Sheet

Model No.: FSL-1530R01-08

Rev: 1

Product Line: Tymphany

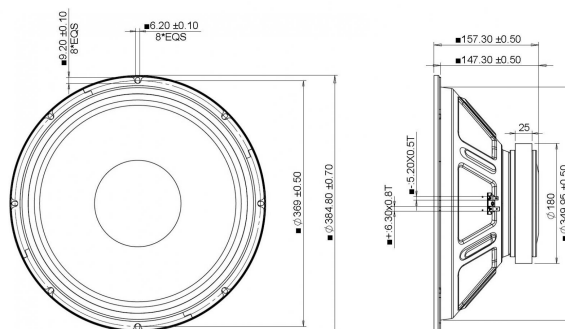
Last Update: 2017-04-25 21:32:09

## Product Description

This 15 inch 8 ohm speaker features a FEA optimized ferrite magnet motor, 2.5inch voice coil, cloth surround, paper cone, a vented yoke for motor cooling, and a high strength stamped steel frame. Kevlar loaded non-pressed paper cone to help dampen and control cone resonance. The multi-roll surround and spider have been optimized to reduce distortion over the excursion range of this transducer.



## Mechanical Drawing



## Specifications

DC Resistance	Revc	Ohms	5.23	5.0%	Energy Bandwidth Product	EBP	(1/Qes)*fs	
Minimum Impedance	Zmin	Ohms	7.51	7.5%	Moving Mass	Mms	g	86.9
Voice Coil Inductance	Le	mH	1.16		Suspension Compliance	Cms	um/N	178.3
Resonant Frequency	Fs	Hz	40.43	15%	Effective Cone diameter	D	cm	33.2
Mechanical Q Factor	Qms		5.85		Effective Piston Area	Sd	cm^2	865.7
Electrical Q Factor	Qes	0.25			Effective Volume	Vas	L	187.7
Total Q Factor	Qts	0.24			Motor Force Factor	BL	Tm	21.5
Ratio Fs/Qts	F	Fs/Qts	168.46		Motor Efficiency Factor	β	(T*M^2)/Ohms	88.3
Half Space Sensitivity @2.83V	db@2.83V/1M	dB	98.4	+/- 1.0db	Voice coil former Material	VCfm		GSV
Half Space Sensitivity @1W/1M	db@1W/1M	dB	98.1	+/- 1.0db	Voice coil inner diameter	VCd	mm	75.75
Gap Height	Gh	mm	8		Rated Noise Power	P	W	450
Maximum Linear Excursion	Xmax	mm	2.2		Test Spectrum Bandwidth		40Hz-400Hz	
Ferrofluid Type	FF				Driver Size	Inch	15 in	
Driver Mass	Kg	6.3						

## Frequency and Impedance Response

