

Model No.: XT25SC30-04
 Product Line: Tymphany

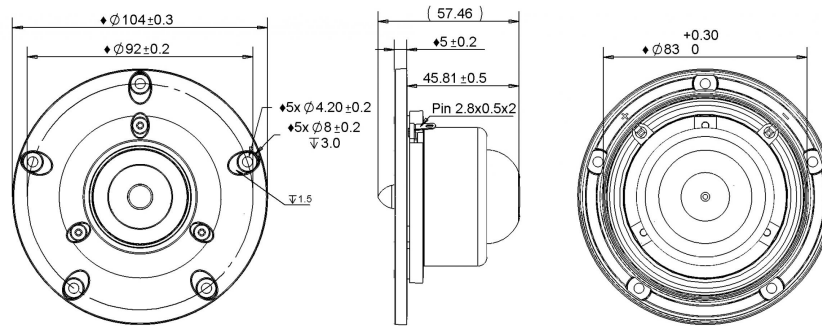
Rev: 1
 Last Update: 2018-04-25 00:48:34

Product Description

This member of the XT tweeter family utilizes two Tymphany technologies to deliver exceptional sound quality: the ring radiator patent, and the central waveguide patent. This model features a 4 ohm 25 mm voice coil, mounted in a shielded Neo magnet motor. The tweeter also features a rear chamber to create extended low frequency response. The faceplate features recessed mounting holes which minimizes reflections off of mounting screws.



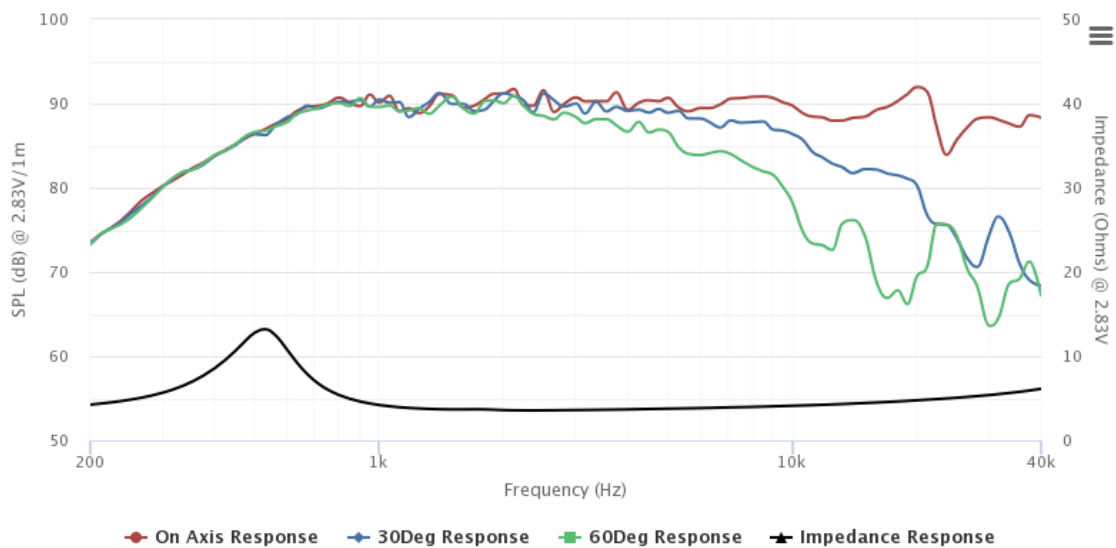
Mechanical Drawing



Specifications

DC Resistance	Revc	Ohms	2.75	5.0%	Energy Bandwidth Product	EBP	(1/Qes)*fs	
Minimum Impedance	Zmin	Ohms	3.56	7.5%	Moving Mass	Mms	g	0.4
Voice Coil Inductance	Le	mH	0.01		Suspension Compliance	Cms	um/N	165.6
Resonant Frequency	Fs	Hz	648.81	15%	Effective Cone diameter	D	cm	3.24
Mechanical Q Factor	Qms		2.65		Effective Piston Area	Sd	cm^2	8.2
Electrical Q Factor	Qes	0.79			Effective Volume	Vas	L	0.02
Total Q Factor	Qts	0.61			Motor Force Factor	BL	Tm	2.27
Ratio Fs/Qts	F	Fs/Qts	1063.61		Motor Efficiency Factor	β	(T*M^2)/Ohms	1.9
Half Space Sensitivity @2.83V	db@2.83V/1M	dB	90.36	+/- 1.0db	Voice coil former Material	VCfm		ASV
Half Space Sensitivity @1W/1M	db@1W/1M	dB	86.8	+/- 1.0db	Voice coil inner diameter	VCd	mm	25.76
Gap Height	Gh	mm	2		Rated Noise Power	P	W	100
Maximum Linear Excursion	Xmax	mm	0.1		Test Spectrum Bandwidth		1kHz - 20kHz	
Ferrofluid Type	FF				Driver Size	Inch	25 mm	
Driver Mass	Kg	0.42						

Frequency and Impedance Response



Highcharts.com