

FOD815 Series 4-Pin High Operating Temperature Photodarlington Optocoupler

Features

- Applicable to Pb-free IR reflow soldering
- Compact 4-pin package
- High current transfer ratio: 600% minimum
- C-UL, UL, and VDE approved
- High input-output isolation voltage of 5000Vrms
- Higher operating temperature (versus H11B815)

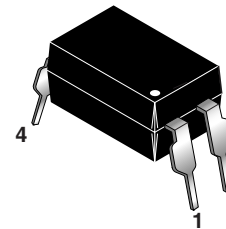
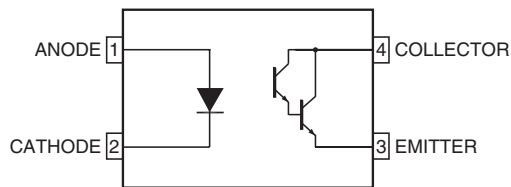
Applications

- Power supply regulators
- Digital logic inputs
- Microprocessor inputs

Description

The FOD815 consists of a gallium arsenide infrared emitting diode, driving a silicon photodarlington output in a 4-pin dual in-line package.

Functional Block Diagram



Absolute Maximum Ratings (T_A = 25°C Unless otherwise specified.)

Symbol	Parameter	Value	Units
TOTAL DEVICE			
T _{STG}	Storage Temperature	-55 to +125	°C
T _{OPR}	Operating Temperature	-30 to +105	°C
T _{SOL}	Lead Solder Temperature	260 for 10 sec	°C
P _{TOT}	Total Power Dissipation	200	mW
INPUT			
I _F	Forward Current	50	mA
P	Power Dissipation	70	mW
OUTPUT			
V _{CEO}	Collector-Emitter Voltage	35	V
V _{ECO}	Emitter-Collector Voltage	6	V
I _C	Collector Current	80	mA
P _C	Collector Power Dissipation	150	mW

Electrical Characteristics ($T_A = 25^\circ\text{C}$ Unless otherwise specified.)**Individual Component Characteristics**

Symbol	Parameter	Test Conditions	Min.	Typ.	Max.	Unit
INPUT						
V_F	Forward Voltage	$I_F = 20\text{mA}$	–	1.2	1.4	V
C_t	Terminal Capacitance	$V = 0, f = 1\text{kHz}$	–	50	250	pF
OUTPUT						
I_{CEO}	Collector Dark Current	$V_{CE} = 10\text{V}, I_F = 0$	–	–	1	μA
BV_{CEO}	Collector-Emitter Breakdown Voltage	$I_C = 0.1\text{mA}, I_F = 0$	35	–	–	V
BV_{ECO}	Emitter-Collector Breakdown Voltage	$I_E = 10\mu\text{A}, I_F = 0$	6	–	–	V

Transfer Characteristics ($T_A = 25^\circ\text{C}$ Unless otherwise specified.)

Symbol	DC Characteristic	Test Conditions	Min.	Typ.	Max.	Unit
I_C	Collector Current	$I_F = 1\text{mA}, V_{CE} = 2\text{V}$	6	–	75	mA
CTR	Current Transfer Ratio ⁽¹⁾		600	–	7,500	%
$V_{CE(sat)}$	Collector-Emitter Saturation Voltage	$I_F = 20\text{mA}, I_C = 5\text{mA}$	–	0.8	1	V
f_C	Cut-Off Frequency	$V_{CE} = 5\text{V}, I_C = 2\text{mA}, R_L = 100\Omega, -3\text{dB}$	1	6	–	KHz
t_r	Response Time (Rise)	$V_{CE} = 2\text{V}, I_C = 10\text{mA}, R_L = 100\Omega$	–	60	300	μs
t_f	Response Time (Fall)		–	53	250	μs

Isolation Characteristics

Symbol	Characteristic	Test Conditions	Min.	Typ.	Max.	Units
V_{ISO}	Input-Output Isolation Voltage	$f = 60\text{Hz}, t = 1\text{min}, I_{I-O} \leq 2\mu\text{A}$	5000	–	–	Vac(rms)
R_{ISO}	Isolation Resistance	DC500V 40~60% R.H.	5×10^{10}	1×10^{11}	–	Ω
C_f	Floating Capacitance	$V = 0, f = 1\text{MHz}$	–	0.6	1	pF

Note:

- Current Transfer Ratio (CTR) = $I_C/I_F \times 100\%$.

Typical Electrical/Optical Characteristic Curves ($T_A = 25^\circ\text{C}$ Unless otherwise specified.)

Fig. 1 Forward Current vs. Ambient Temperature

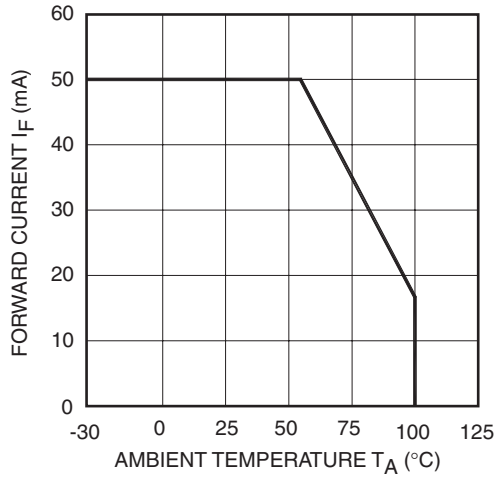


Fig. 2 Collector Power Dissipation vs. Ambient Temperature

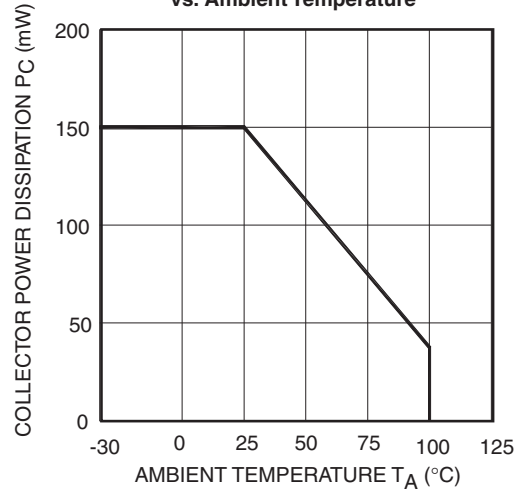


Fig. 3 Collector-Emitter Saturation Voltage vs. Forward Current

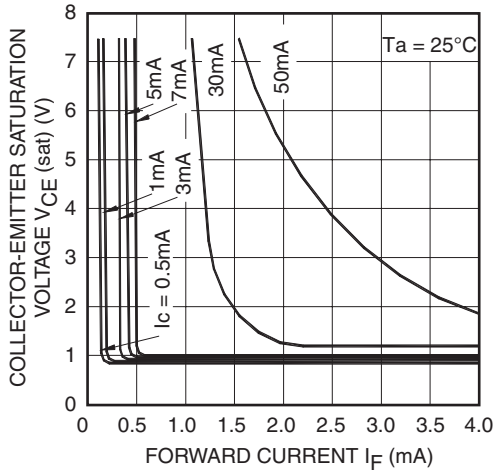


Fig. 4 Forward Current vs. Forward Voltage

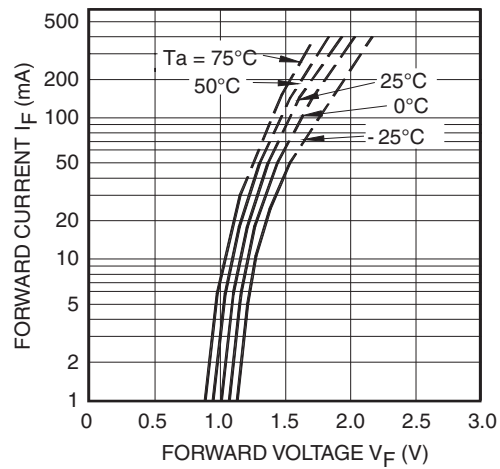


Fig. 5 Current Transfer Ratio vs. Forward Current

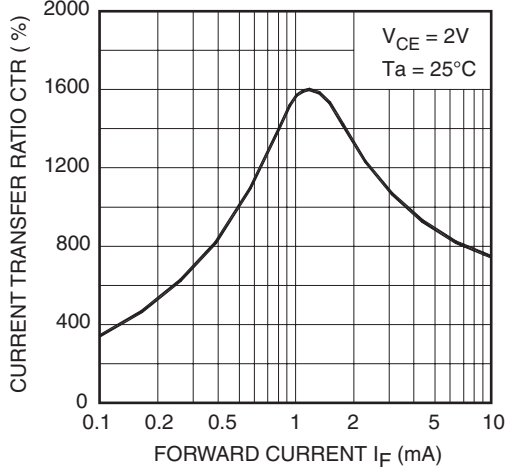
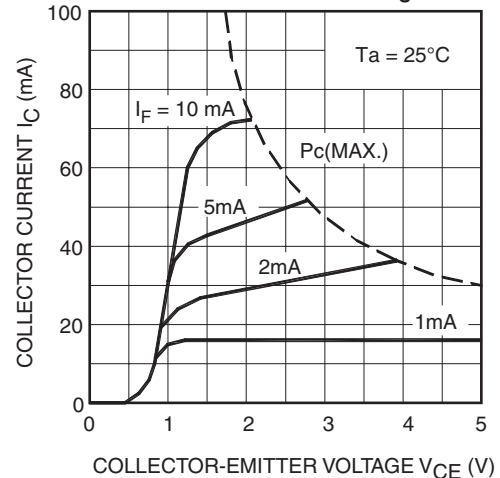


Fig. 6 Collector Current vs. Collector-Emitter Voltage



Typical Electrical/Optical Characteristic Curves ($T_A = 25^\circ\text{C}$ Unless otherwise specified.)

Fig. 7. Relative Current Transfer Ratio vs. Ambient Temperature

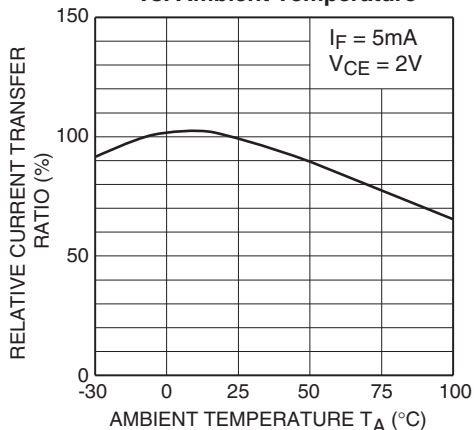


Fig. 8 Collector-Emitter Saturation Voltage vs. Ambient Temperature

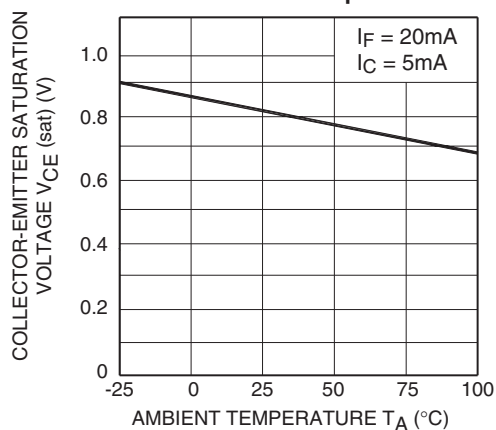


Fig. 9 Collector Dark Current vs. Ambient Temperature

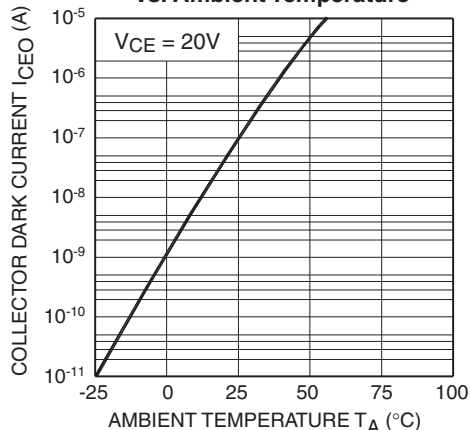


Fig. 10. Response Time vs. Load Resistance

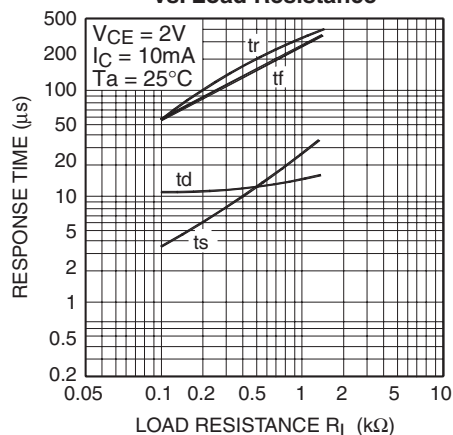
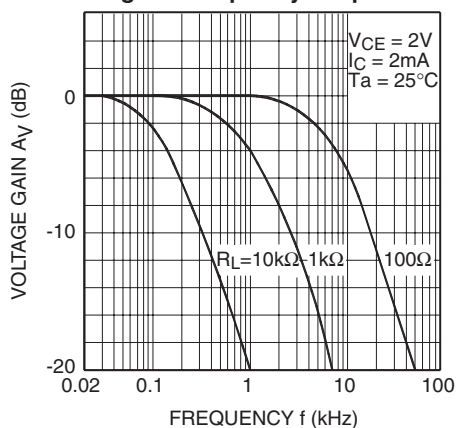
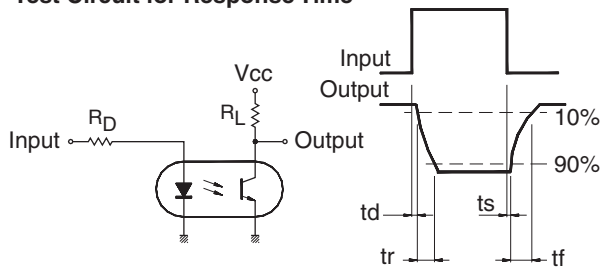


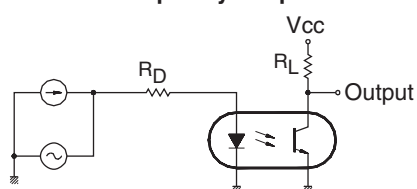
Fig. 11. Frequency Response



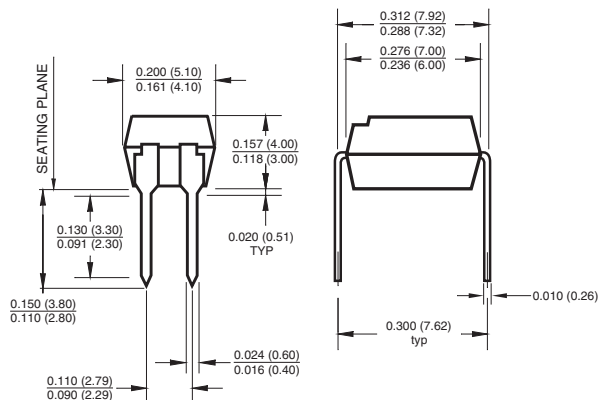
Test Circuit for Response Time



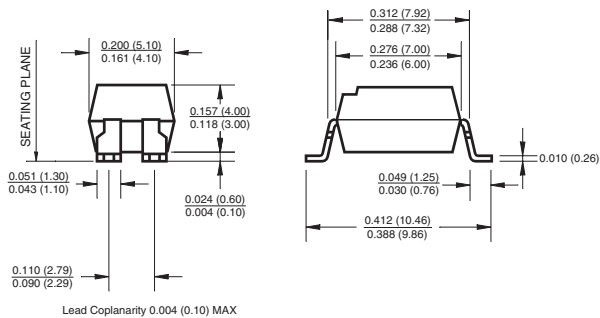
Test Circuit for Frequency Response



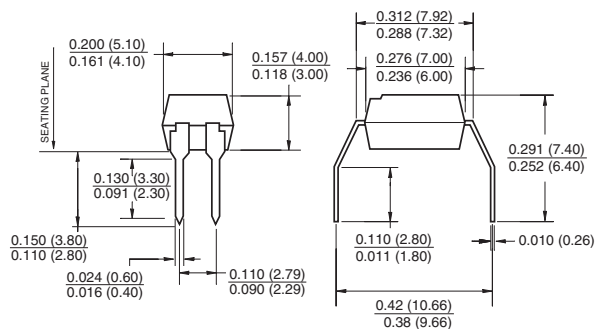
Package Dimensions (Through Hole)



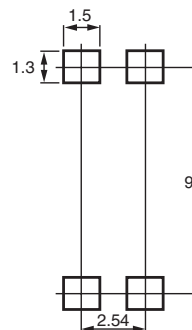
Package Dimensions (Surface Mount)



Package Dimensions (0.4" Lead Spacing)



Footprint Dimensions (Surface Mount)



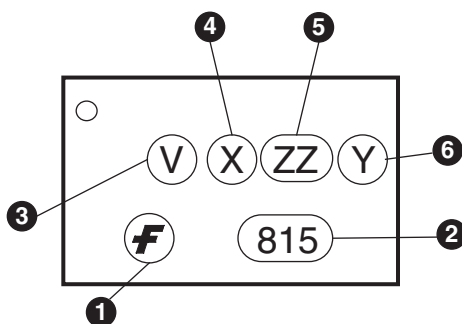
Note:

All dimensions are in inches (millimeters)

Ordering Information

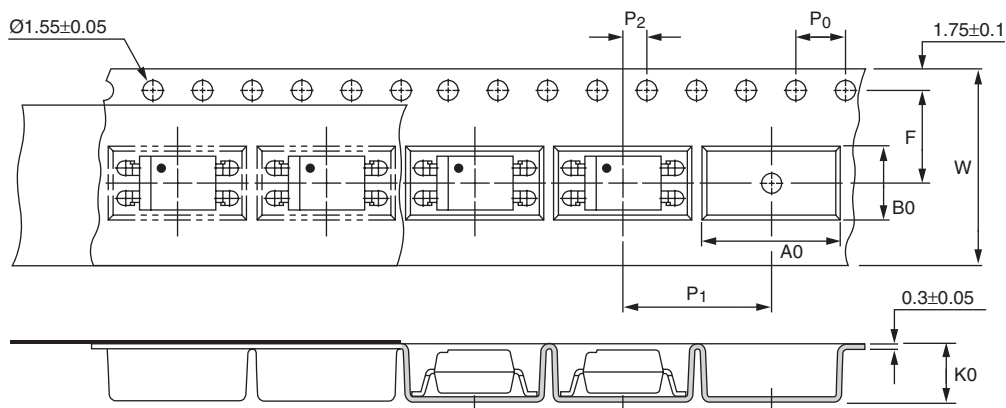
Option	Order Entry Identifier	Description
S	.S	Surface Mount Lead Bend
SD	.SD	Surface Mount; Tape and reel
W	.W	0.4" Lead Spacing
300	.300	VDE Approved
300W	.300W	VDE Approved, 0.4" Lead Spacing
3S	.3S	VDE Approved, Surface Mount
3SD	.3SD	VDE Approved, Surface Mount, Tape & Reel

Marking Information



Definitions	
1	Fairchild logo
2	Device number
3	VDE mark (Note: Only appears on parts ordered with VDE option – See order entry table)
4	One digit year code
5	Two digit work week ranging from '01' to '53'
6	Assembly package code

Carrier Tape Specifications

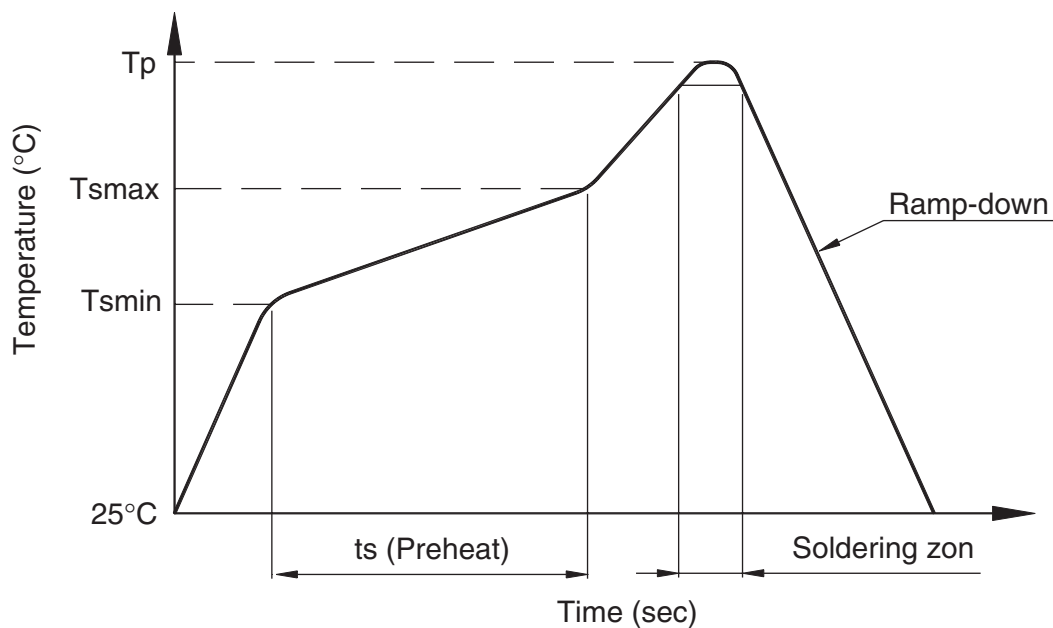


Note:

All dimensions are in millimeters.

Description	Symbol	Dimensions in mm (inches)
Tape wide	W	16 ± 0.3 (.63)
Pitch of sprocket holes	P_0	4 ± 0.1 (.15)
Distance of compartment	F	7.5 ± 0.1 (.295)
	P_2	2 ± 0.1 (.079)
Distance of compartment to compartment	P_1	12 ± 0.1 (.472)
Compartment	A_0	10.45 ± 0.1 (.411)
	B_0	5.30 ± 0.1 (.209)
	K_0	4.25 ± 0.1 (.167)

Lead Free Recommended IR Reflow Condition



Profile Feature	Pb-Sn solder assembly	Lead Free assembly
Preheat condition (Tsmín-Tsmáx / ts)	100°C ~ 150°C 60 ~ 120 sec	150°C ~ 200°C 60 ~ 120 sec
Melt soldering zone	183°C 60 ~ 120 sec	217°C 30 ~ 90 sec
Peak temperature (Tp)	240 +0/-5°C	260 +0/-5°C
Ramp-down rate	6°C/sec max.	6°C/sec max.

Recommended Wave Soldering condition

Profile Feature	For all solder assembly
Peak temperature (Tp)	Max 260°C for 10 sec

TRADEMARKS

The following are registered and unregistered trademarks Fairchild Semiconductor owns or is authorized to use and is not intended to be an exhaustive list of all such trademarks.

ACEx™	FAST®	ISOPLANAR™	PowerEdge™	SuperFET™
ActiveArray™	FASTr™	LittleFET™	PowerSaver™	SuperSOT™-3
Bottomless™	FPS™	MICROCOUPLER™	PowerTrench®	SuperSOT™-6
Build it Now™	FRFET™	MicroFET™	QFET®	SuperSOT™-8
CoolFET™	GlobalOptoisolator™	MicroPak™	QS™	SyncFET™
CROSSVOLT™	GTO™	MICROWIRE™	QT Optoelectronics™	TCM™
DOME™	HiSeC™	MSX™	Quiet Series™	TinyLogic®
EcoSPARK™	I ² C™	MSXPro™	RapidConfigure™	TINYOPTO™
E ² CMOST™	i-Lo™	OCX™	RapidConnect™	TruTranslation™
EnSigna™	ImpliedDisconnect™	OCXPro™	μSerDes™	UHC™
FACT™	IntelliMAX™	OPTOLOGIC®	ScalarPump™	UniFET™
FACT Quiet Series™		OPTOPLANAR™	SILENT SWITCHER®	UltraFET®
Across the board. Around the world.™		PACMAN™	SMART START™	VCX™
The Power Franchise®		POP™	SPM™	Wire™
Programmable Active Droop™		Power247™	Stealth™	

DISCLAIMER

FAIRCHILD SEMICONDUCTOR RESERVES THE RIGHT TO MAKE CHANGES WITHOUT FURTHER NOTICE TO ANY PRODUCTS HEREIN TO IMPROVE RELIABILITY, FUNCTION OR DESIGN. FAIRCHILD DOES NOT ASSUME ANY LIABILITY ARISING OUT OF THE APPLICATION OR USE OF ANY PRODUCT OR CIRCUIT DESCRIBED HEREIN; NEITHER DOES IT CONVEY ANY LICENSE UNDER ITS PATENT RIGHTS, NOR THE RIGHTS OF OTHERS. THESE SPECIFICATIONS DO NOT EXPAND THE TERMS OF FAIRCHILD'S WORLDWIDE TERMS AND CONDITIONS, SPECIFICALLY THE WARRANTY THEREIN, WHICH COVERS THESE PRODUCTS.

LIFE SUPPORT POLICY

FAIRCHILD'S PRODUCTS ARE NOT AUTHORIZED FOR USE AS CRITICAL COMPONENTS IN LIFE SUPPORT DEVICES OR SYSTEMS WITHOUT THE EXPRESS WRITTEN APPROVAL OF FAIRCHILD SEMICONDUCTOR CORPORATION.

As used herein:

- Life support devices or systems are devices or systems which, (a) are intended for surgical implant into the body, or (b) support or sustain life, or (c) whose failure to perform when properly used in accordance with instructions for use provided in the labeling, can be reasonably expected to result in significant injury to the user.
- A critical component is any component of a life support device or system whose failure to perform can be reasonably expected to cause the failure of the life support device or system, or to affect its safety or effectiveness.

PRODUCT STATUS DEFINITIONS

Definition of Terms

Datasheet Identification	Product Status	Definition
Advance Information	Formative or In Design	This datasheet contains the design specifications for product development. Specifications may change in any manner without notice.
Preliminary	First Production	This datasheet contains preliminary data, and supplementary data will be published at a later date. Fairchild Semiconductor reserves the right to make changes at any time without notice in order to improve design.
No Identification Needed	Full Production	This datasheet contains final specifications. Fairchild Semiconductor reserves the right to make changes at any time without notice in order to improve design.
Obsolete	Not In Production	This datasheet contains specifications on a product that has been discontinued by Fairchild semiconductor. The datasheet is printed for reference information only.

Rev. 119

Home >> Find products >>

FOD815

DC Input, Darlington Output 4-pin DIP

Contents

- [General description](#)
- [Features](#)
- [Applications](#)
- [Product status/pricing/packaging](#)
- [Order Samples](#)
- [Safety agency certificates](#)
- [Qualification Support](#)

General description

The FOD815 consists of a gallium arsenide infrared emitting diode, driving a silicon photodarlington output in a 4-pin dual in-line package.

[back to top](#)

Features

- Applicable to Pb-free IR reflow soldering
- Compact 4-pin package
- High current transfer ratio: 600% minimum
- C-UL, UL, and VDE approved
- High input-output isolation voltage of 5000Vrms
- Higher operating temperature (versus H11B815)

[back to top](#)

Applications

- Power supply regulators
- Digital logic inputs
- Microprocessor inputs

[back to top](#)

Product status/pricing/packaging

BUY

BUY

Datasheet

[Download this datasheet](#)



[e-mail this datasheet](#)



This page

[Print version](#)

Related Links

[Request samples](#)

[How to order products](#)



[Product Change Notices \(PCNs\)](#)

[Support](#)

[Sales support](#)

[Quality and reliability](#)

[Design center](#)

Product	Product status	Pb-free Status	Pricing*	Package type	Leads	Packing method
FOD815	Full Production	 Full Production	\$0.257	DIP-B	4	BOX
FOD815300	Full Production	 Full Production	\$0.257	DIP-B	4	BOX
FOD815300W	Full Production	 Full Production	\$0.257	DIP-B	4	BOX
FOD8153S	Full Production	 Full Production	\$0.257	DIP-B	4	BOX
FOD8153SD	Full Production	 Full Production	\$0.257	SMDIP-B	4	TAPE REEL
FOD815S	Full Production	 Full Production	\$0.257	DIP-B	4	BOX
FOD815SD	Full Production	 Full Production	\$0.257	SMDIP-B	4	TAPE REEL
FOD815W	Full Production	 Full Production	\$0.257	DIP-B	4	BOX

* Fairchild 1,000 piece Budgetary Pricing

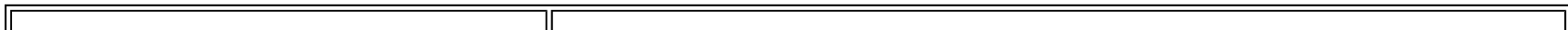
** A sample button will appear if the part is available through Fairchild's on-line samples program. If there is no sample button, please contact a [Fairchild distributor](#) to obtain samples



Indicates product with Pb-free second-level interconnect. For more information [click here](#).

[back to top](#)

Safety agency certificates



Certificate	Agency	
512040 (4502 K)	SEMKO	SEMKO
P05204910 (406 K)	NEMKO	NEMKO
FI 21978 (208 K)	FIMKO	FIMKO
313540-02 (199 K)	DEMKO	DEMKO Testing & Certification
E90700, Vol. 3 (1632 K)	UL (1577)	Underwriters Laboratories Inc.
E90700, Vol. 3 (1632 K)	C-UL	Underwriters Laboratories Inc.
40011272 (334 K)	VDE	VDE Prüf-und Zertifizierungsinstitut

[back to top](#)

Qualification Support

Click on a product for detailed qualification data

Product
FOD815
FOD815300
FOD815300W
FOD8153S
FOD8153SD
FOD815S
FOD815SD
FOD815W

[back to top](#)

© 2007 Fairchild Semiconductor

