

SN65LVDS388, SN65LVDT388, SN75LVDS388, SN75LVDT388 HIGH-SPEED DIFFERENTIAL LINE RECEIVERS

SLLS448A – SEPTEMBER 2000 – REVISED MAY 2001

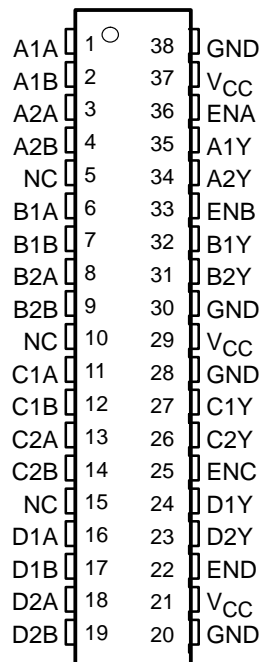
- Eight Line Receivers Meet or Exceed the Requirements of ANSI TIA/EIA-644 Standard
- Integrated 110-Ω Line Termination Resistors on LVDT Products
- Designed for Signaling Rates† Up To 630 Mbps
- SN65 Version's Bus-Terminal ESD Exceeds 15 kV
- Operates From a Single 3.3-V Supply
- Propagation Delay Time of 2.6 ns (Typ)
- Output Skew 100 ps (Typ)
Part-To-Part Skew Is Less Than 1 ns
- LVTTTL Levels Are 5-V Tolerant
- Open-Circuit Fail Safe
- Flow-Through Pin Out
- Packaged in Thin Shrink Small-Outline Package With 20-mil Terminal Pitch

**NOT RECOMMENDED FOR NEW DESIGNS
For Replacement Use 'LVDx388A**

description

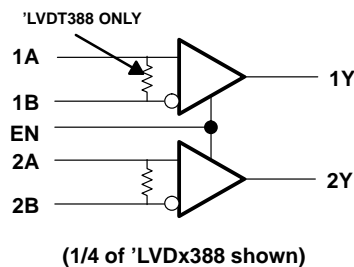
The 'LVDS388 and 'LVDT388 (*T* designates integrated termination) are eight differential line receivers that implement the electrical characteristics of low-voltage differential signaling (LVDS). This signaling technique lowers the output voltage levels of 5-V differential standard levels (such as EIA/TIA-422B) to reduce the power, increase the switching speeds, and allow operation with a 3-V supply rail. Any of the eight differential receivers will provide a valid logical output state with a ± 100 -mV differential input voltage within the input common-mode voltage range. The input common-mode voltage range allows 1 V of ground potential difference between two LVDS nodes. Additionally, the high-speed switching of LVDS signals always require the use of a line impedance matching resistor at the receiving end of the cable or transmission media. The LVDT product eliminates this external resistor by integrating it with the receiver.

'LVDS388, 'LVDT388
DBT PACKAGE
(TOP VIEW)



logic diagram (positive logic)

'LVDx388



Please be aware that an important notice concerning availability, standard warranty, and use in critical applications of Texas Instruments semiconductor products and disclaimers thereto appears at the end of this data sheet.

† Signaling rate, 1/t, where t is the minimum unit interval and is expressed in the units bits/s (bits per second)

PRODUCTION DATA information is current as of publication date. Products conform to specifications per the terms of Texas Instruments standard warranty. Production processing does not necessarily include testing of all parameters.

**TEXAS
INSTRUMENTS**

POST OFFICE BOX 655303 • DALLAS, TEXAS 75265

Copyright © 2001, Texas Instruments Incorporated

SN65LVDS388, SN65LVDT388, SN75LVDS388, SN75LVDT388 HIGH-SPEED DIFFERENTIAL LINE RECEIVERS

SLLS448A – SEPTEMBER 2000 – REVISED MAY 2001

description (continued)

The intended application of this device and signaling technique is for point-to-point baseband data transmission over controlled impedance media of approximately 100 Ω. The transmission media may be printed-circuit board traces, backplanes, or cables. The large number of drivers integrated into the same substrate along with the low pulse skew of balanced signaling, allows extremely precise timing alignment of clock and data for synchronous parallel data transfers. When used with its companion, 8-channel driver, the SN65LVDS389 over 150 million data transfers per second in single-edge clocked systems are possible with very little power. Note: The ultimate rate and distance of data transfer is dependent upon the attenuation characteristics of the media, the noise coupling to the environment, and other system characteristics.

The SN65LVDS388 and SN65LVDT388 is characterized for operation from -40°C to 85°C. The SN75LVDS388 and SN75LVDT388 is characterized for operation from 0°C to 70°C.

AVAILABLE OPTIONS

PART NUMBER	TEMPERATURE RANGE	NUMBER OF RECEIVERS	BUS-PIN ESD
SN65LVDS388DBT	-40°C to 85°C	8	15 kV
SN65LVDT388DBT	-40°C to 85°C	8	15 kV
SN75LVDS388DBT	0°C to 70°C	8	4 kV
SN75LVDT388DBT	0°C to 70°C	8	4 kV

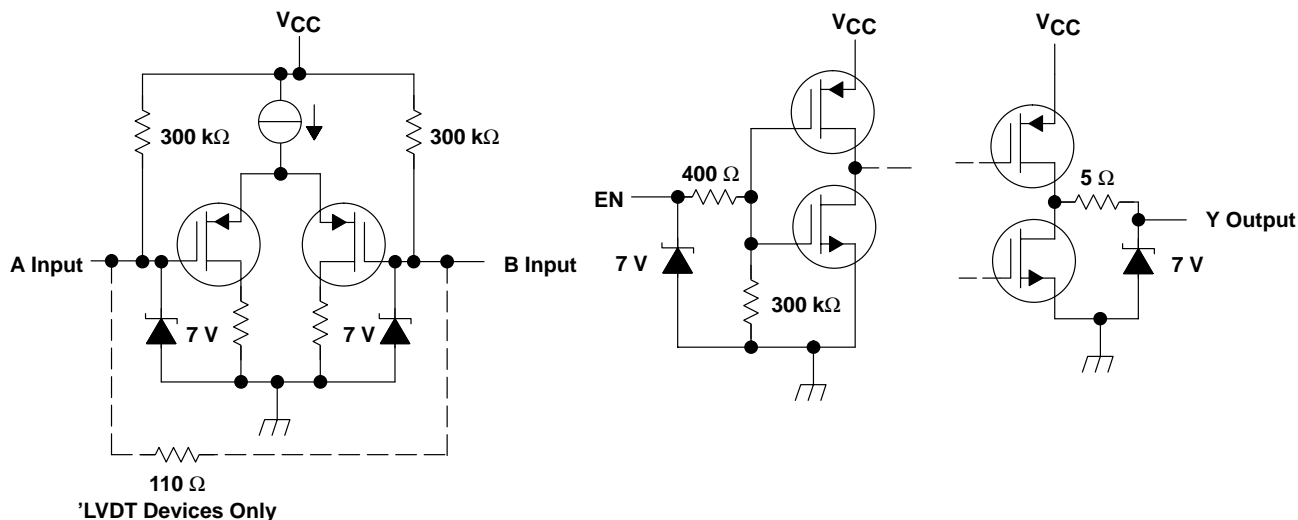
Function Table

SNx5LVDS388 and SNx5LVDT388

DIFFERENTIAL INPUT	ENABLES	OUTPUT
A-B	EN	Y
$V_{ID} \geq 100 \text{ mV}$	H	H
$-100 \text{ mV} < V_{ID} \leq 100 \text{ mV}$	H	?
$V_{ID} \leq -100 \text{ mV}$	H	L
X	L	Z
Open	H	H

H = high level, L = low level, X = irrelevant, Z = high impedance (off), ? = indeterminate

equivalent input and output schematic diagrams



SN65LVDS388, SN65LVDT388, SN75LVDS388, SN75LVDT388 HIGH-SPEED DIFFERENTIAL LINE RECEIVERS

SLLS448A – SEPTEMBER 2000 – REVISED MAY 2001

absolute maximum ratings over operating free-air temperature (unless otherwise noted)†

Supply voltage range, V_{CC} (see Note 1)	–0.5 V to 4 V
Voltage range: Enables or Y	–0.5 V to 6 V
A or B	–0.5 V to 4 V
Electrostatic discharge: (see Note 2)	
SN65' (A, B, and GND)	Class 3, A:15 kV, B: 700 V
SN75' (A, B, and GND)	Class 2, A:4 kV, B: 400 V
Continuous power dissipation	See Dissipation Rating Table
Storage temperature range	–65°C to 150°C
Lead temperature 1,6 mm (1/16 in) from case for 10 seconds	260°C

† Stresses beyond those listed under “absolute maximum ratings” may cause permanent damage to the device. These are stress ratings only, and functional operation of the device at these or any other conditions beyond those indicated under “recommended operating conditions” is not implied. Exposure to absolute-maximum-rated conditions for extended periods may affect device reliability.

- NOTES: 1. All voltage values, except differential I/O bus voltages, are with respect to network ground terminal.
2. Tested in accordance with MIL-STD-883C Method 3015.7.

DISSIPATION RATING TABLE

PACKAGE	T _A ≤ 25°C	DERATING FACTOR‡ ABOVE T _A = 25°C	T _A = 70°C POWER RATING	T _A = 85°C POWER RATING
DBT	1071 mW	8.5 mW/°C	688 mW	556 mW

‡ This is the inverse of the junction-to-ambient thermal resistance when board-mounted (low-k) and with no air flow.

recommended operating conditions

		MIN	NOM	MAX	UNIT
Supply voltage, V_{CC}		3	3.3	3.6	V
High-level input voltage, V_{IH}	Enables	2			V
Low-level input voltage, V_{IL}	Enables			0.8	V
Magnitude of differential input voltage, $ V_{ID} $		0.1		0.6	V
Common-mode input voltage, V_{IC} (see Figure 4)		$\frac{ V_{ID} }{2}$		$2.4 - \frac{ V_{ID} }{2}$	V
				$V_{CC} - 0.8$	
Operating free-air temperature, T _A	SN75'	0		70	°C
	SN65'	–40		85	°C



SN65LVDS388, SN65LVDT388, SN75LVDS388, SN75LVDT388 HIGH-SPEED DIFFERENTIAL LINE RECEIVERS

SLLS448A – SEPTEMBER 2000 – REVISED MAY 2001

electrical characteristics over recommended operating conditions (unless otherwise noted)

PARAMETER		TEST CONDITIONS	MIN	TYP†	MAX	UNIT	
V _{IT+}	Positive-going differential input voltage threshold	See Figure 1 and Table 1			100	mV	
V _{IT-}	Negative-going differential input voltage threshold				-100	mV	
V _{OH}	High-level output voltage	I _{OH} = -8 mA	2.4	3		V	
V _{OL}	Low-level output voltage	I _{OL} = 8 mA		0.2	0.4	V	
I _{CC}	Supply current	Enabled, No load		50	70	mA	
		Disabled			3	mA	
I _I	Input current (A or B inputs)	'LVDS	V _I = 0 V		-13	-20	μA
			V _I = 2.4 V	-1.2	-3		
		'LVDT	V _I = 0 V, other input open			-40	
			V _I = 2.4 V, other input open	-2.4			
I _{ID}	Differential input current I _{IA} - I _{IB}	'LVDS	V _{IA} = 0 V, V _{IB} = 0.1 V, V _{IA} = 2.4 V, V _{IB} = 2.3 V			±2	μA
I _{ID}	Differential input current (I _{IA} - I _{IB})	'LVDT	V _{IA} = 0.2 V, V _{IB} = 0 V, V _{IA} = 2.4 V, V _{IB} = 2.2 V	1.5		2.2	mA
I _{I(OFF)}	Power-off input current (A or B inputs)	'LVDS	V _{CC} = 0 V, V _I = 2.4 V		12	±20	μA
I _{I(OFF)}	Power-off input current (A or B inputs)	'LVDT	V _{CC} = 0 V, V _I = 2.4 V			±40	μA
I _{IH}	High-level input current (enables)		V _{IH} = 2 V			10	μA
I _{IL}	Low-level input current (enables)		V _{IL} = 0.8 V			10	μA
I _{OZ}	High-impedance output current		V _O = 0 V			±1	μA
			V _O = 3.6 V			10	
C _{IN}	Input capacitance, A or B input to GND		V _{ID} = 0.4 sin 2.5E09 t V		5		pF
Z _(t)	Termination impedance		V _{ID} = 0.4 sin 2.5E09 t V	88		132	Ω

† All typical values are at 25°C and with a 3.3-V supply.

switching characteristics over recommended operating conditions (unless otherwise noted)

PARAMETER		TEST CONDITIONS	MIN	TYP†	MAX	UNIT
t _{PLH}	Propagation delay time, low-to-high-level output	See Figure 2	1	2.6	4	ns
t _{PHL}	Propagation delay time, high-to-low-level output		1	2.5	4	ns
t _r	Output signal rise time		500	800	1200	ps
t _f	Output signal fall time		500	800	1200	ps
t _{sk(p)}	Pulse skew (t _{PHL} - t _{PLH})			150	600	ps
t _{sk(o)}	Output skew‡			100	400	ps
t _{sk(pp)}	Part-to-part skew§				1	ns
t _{PZH}	Propagation delay time, high-impedance-to-high-level output		See Figure 3		7	15
t _{PZL}	Propagation delay time, high-impedance-to-low-level output			7	15	ns
t _{PHZ}	Propagation delay time, high-level-to-high-impedance output			7	15	ns
t _{PLZ}	Propagation delay time, low-level-to-high-impedance output			7	15	ns

† All typical values are at 25°C and with a 3.3-V supply.

‡ t_{sk(o)} is the magnitude of the time difference between the t_{PLH} or t_{PHL} of all drivers of a single device with all of their inputs connected together.

§ t_{sk(pp)} is the magnitude of the difference in propagation delay times between any specified terminals of any two devices characterized in this data sheet when both devices operate with the same supply voltage, at the same temperature, and have the same test circuits.



PARAMETER MEASUREMENT INFORMATION

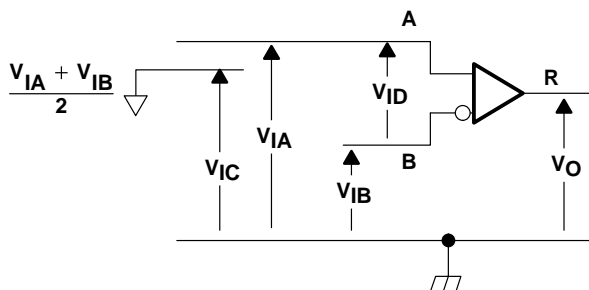


Figure 1. Voltage Definitions

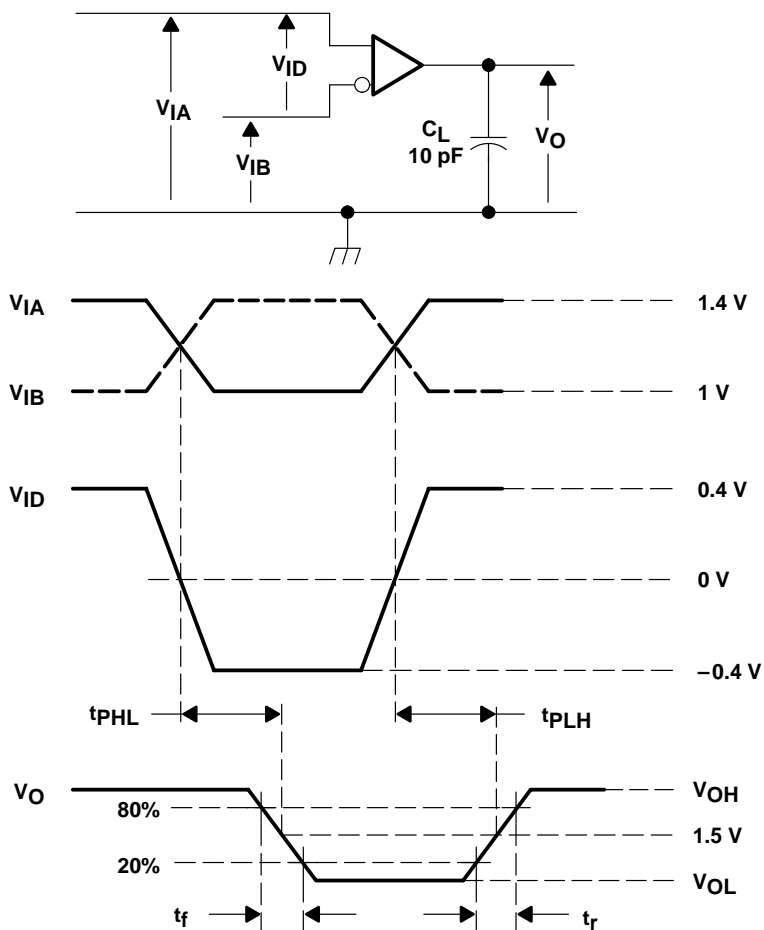
Table 1. Receiver Minimum and Maximum Input Threshold Test Voltages

APPLIED VOLTAGES		RESULTING DIFFERENTIAL INPUT VOLTAGE	RESULTING COMMON-MODE INPUT VOLTAGE
V_{IA}	V_{IB}	V_{ID}	V_{IC}
1.25 V	1.15 V	100 mV	1.2 V
1.15 V	1.25 V	-100 mV	1.2 V
2.4 V	2.3 V	100 mV	2.35 V
2.3 V	2.4 V	-100 mV	2.35 V
0.1 V	0 V	100 mV	0.05 V
0 V	0.1 V	-100 mV	0.05 V
1.5 V	0.9 V	600 mV	1.2 V
0.9 V	1.5 V	-600 mV	1.2 V
2.4 V	1.8 V	600 mV	2.1 V
1.8 V	2.4 V	-600 mV	2.1 V
0.6 V	0 V	600 mV	0.3 V
0 V	0.6 V	-600 mV	0.3 V

SN65LVDS388, SN65LVDT388, SN75LVDS388, SN75LVDT388 HIGH-SPEED DIFFERENTIAL LINE RECEIVERS

SLLS448A – SEPTEMBER 2000 – REVISED MAY 2001

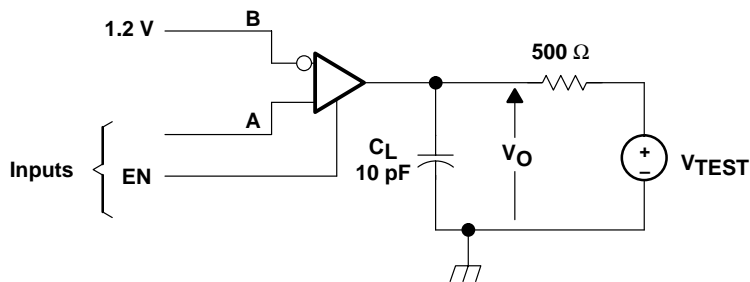
PARAMETER MEASUREMENT INFORMATION



NOTE: All input pulses are supplied by a generator having the following characteristics: t_r or $t_f \leq 1$ ns, pulse repetition rate (PRR) = 50 Mpps, pulse width = 10 ± 0.2 ns. C_L includes instrumentation and fixture capacitance within 0,06 m of the D.U.T.

Figure 2. Timing Test Circuit and Wave Forms

PARAMETER MEASUREMENT INFORMATION



NOTE A: All input pulses are supplied by a generator having the following characteristics: t_r or $t_f \leq 1$ ns, pulse repetition rate (PRR) = 0.5 Mpps, pulse width = 500 ± 10 ns. C_L includes instrumentation and fixture capacitance within 0,06 m of the D.U.T.

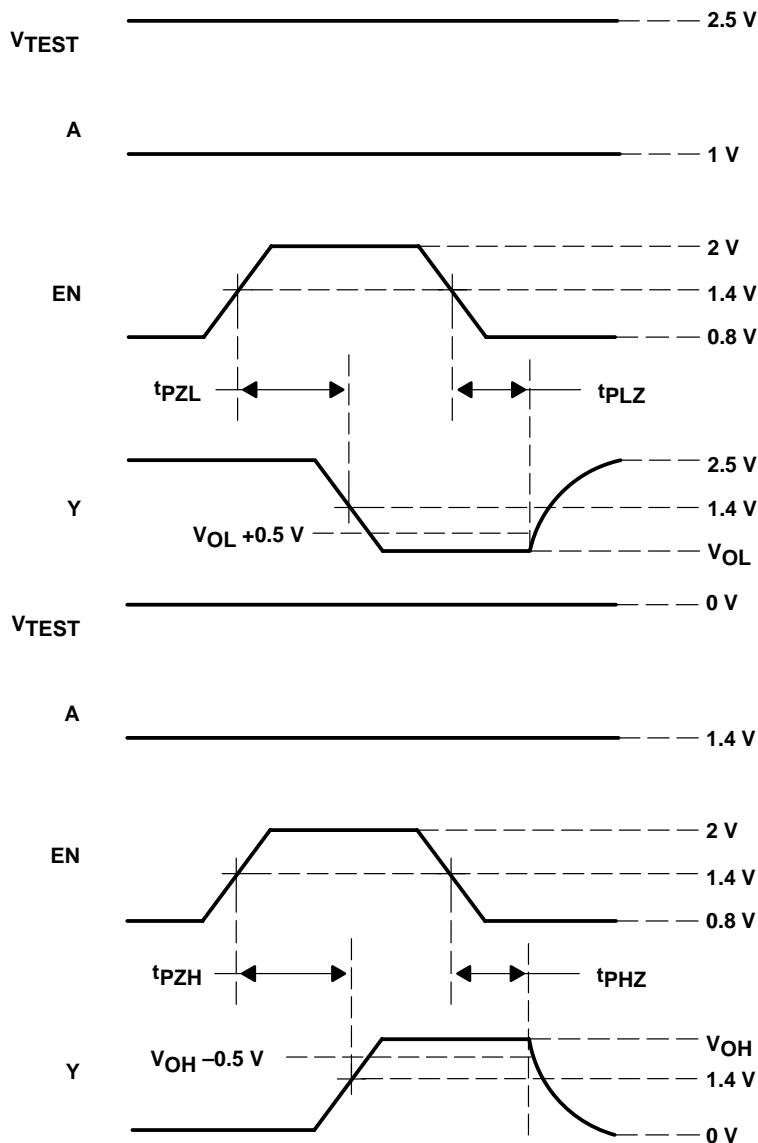


Figure 3. Enable/Disable Time Test Circuit and Wave Forms

SN65LVDS388, SN65LVDT388, SN75LVDS388, SN75LVDT388 HIGH-SPEED DIFFERENTIAL LINE RECEIVERS

SLLS448A – SEPTEMBER 2000 – REVISED MAY 2001

TYPICAL CHARACTERISTICS

**COMMON-MODE INPUT VOLTAGE
vs
DIFFERENTIAL INPUT VOLTAGE**

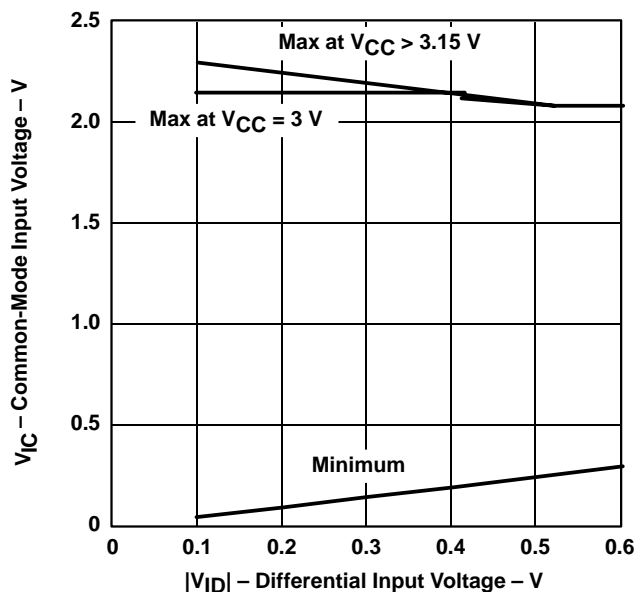


Figure 4

**LVDx388
SUPPLY CURRENT
vs
SWITCHING FREQUENCY**

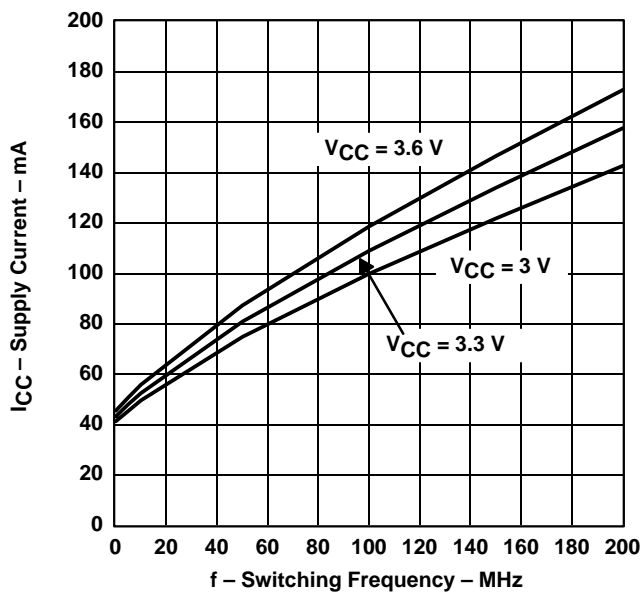


Figure 5

**HIGH-LEVEL OUTPUT VOLTAGE
vs
HIGH-LEVEL OUTPUT CURRENT**

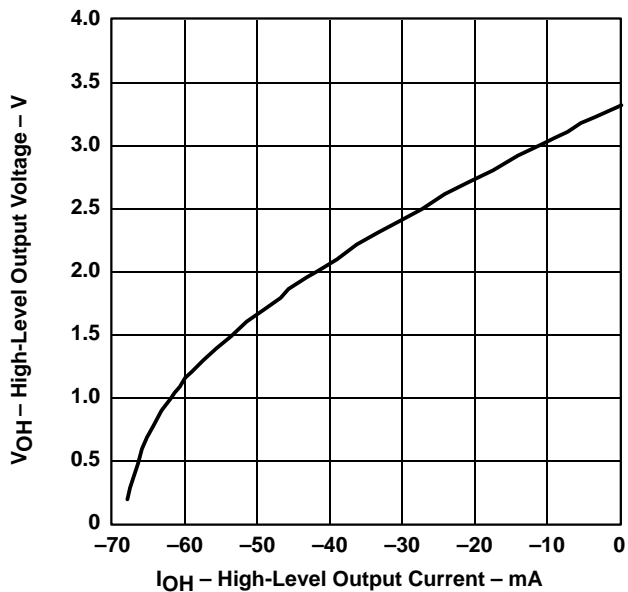


Figure 6

**LOW-LEVEL OUTPUT VOLTAGE
vs
LOW-LEVEL OUTPUT CURRENT**

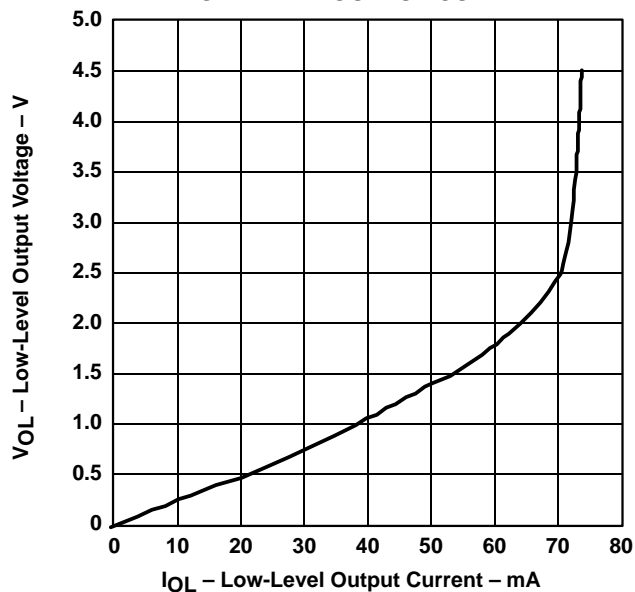


Figure 7



TYPICAL CHARACTERISTICS

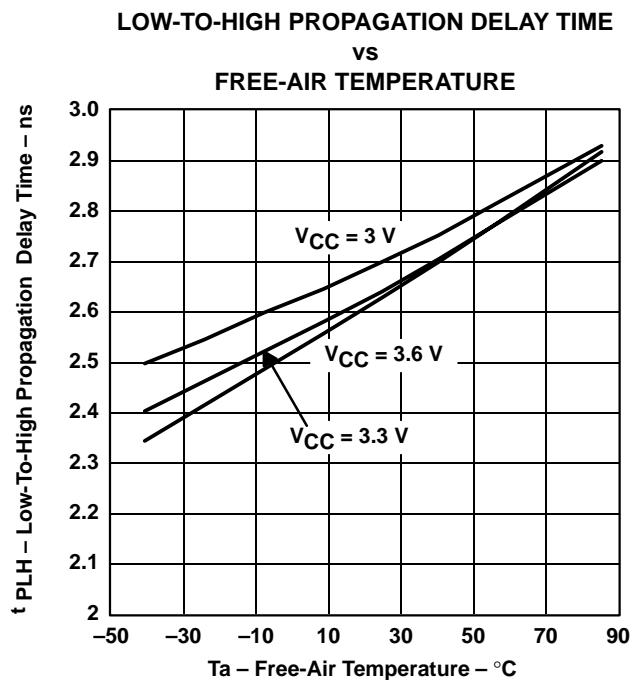


Figure 8

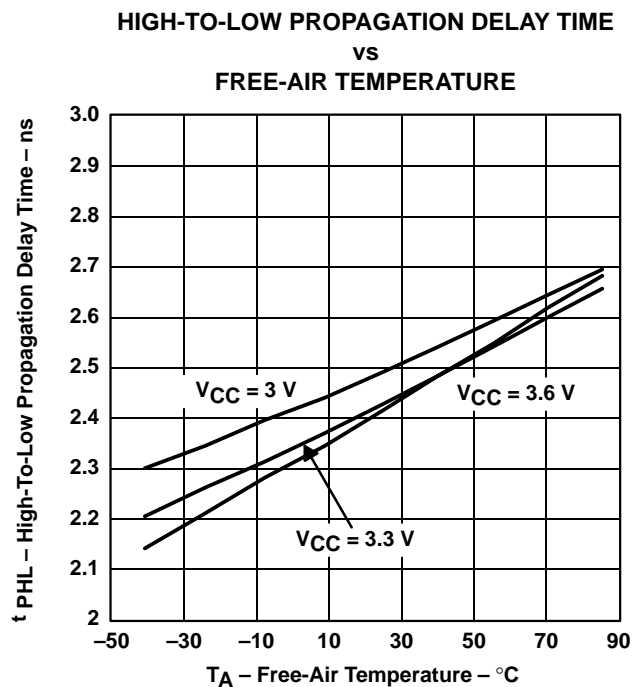


Figure 9

APPLICATION INFORMATION

fail safe

One of the most common problems with differential signaling applications is how the system responds when no differential voltage is present on the signal pair. The LVDS receiver is like most differential line receivers, in that its output logic state can be indeterminate when the differential input voltage is between -100 mV and 100 mV and within its recommended input common-mode voltage range. TI's LVDS receiver is different in how it handles the open-input circuit situation, however.

Open-circuit means that there is little or no input current to the receiver from the data line itself. This could be when the driver is in a high-impedance state or the cable is disconnected. When this occurs, the LVDS receiver will pull each line of the signal pair to near V_{CC} through $300\text{-k}\Omega$ resistors as shown in Figure 10. The fail-safe feature uses an AND gate with input voltage thresholds at about 2.3 V to detect this condition and force the output to a high-level regardless of the differential input voltage.

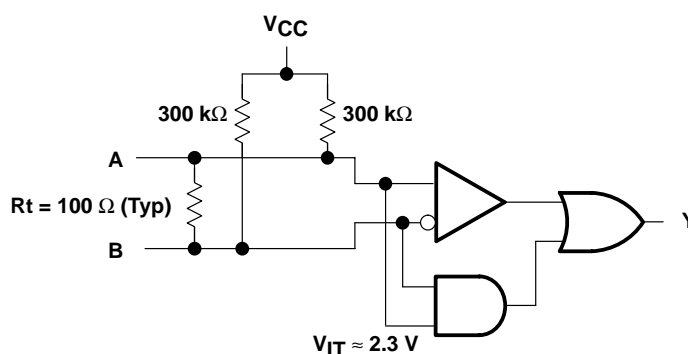


Figure 11. Open-Circuit Fail Safe of the LVDS Receiver

It is only under these conditions that the output of the receiver will be valid with less than a 100-mV differential input voltage magnitude. The presence of the termination resistor, R_t , does not affect the fail-safe function as long as it is connected as shown in the figure. Other termination circuits may allow a dc current to ground that could defeat the pullup currents from the receiver and the fail-safe feature.

SN65LVDS388, SN65LVDT388, SN75LVDS388, SN75LVDT388 HIGH-SPEED DIFFERENTIAL LINE RECEIVERS

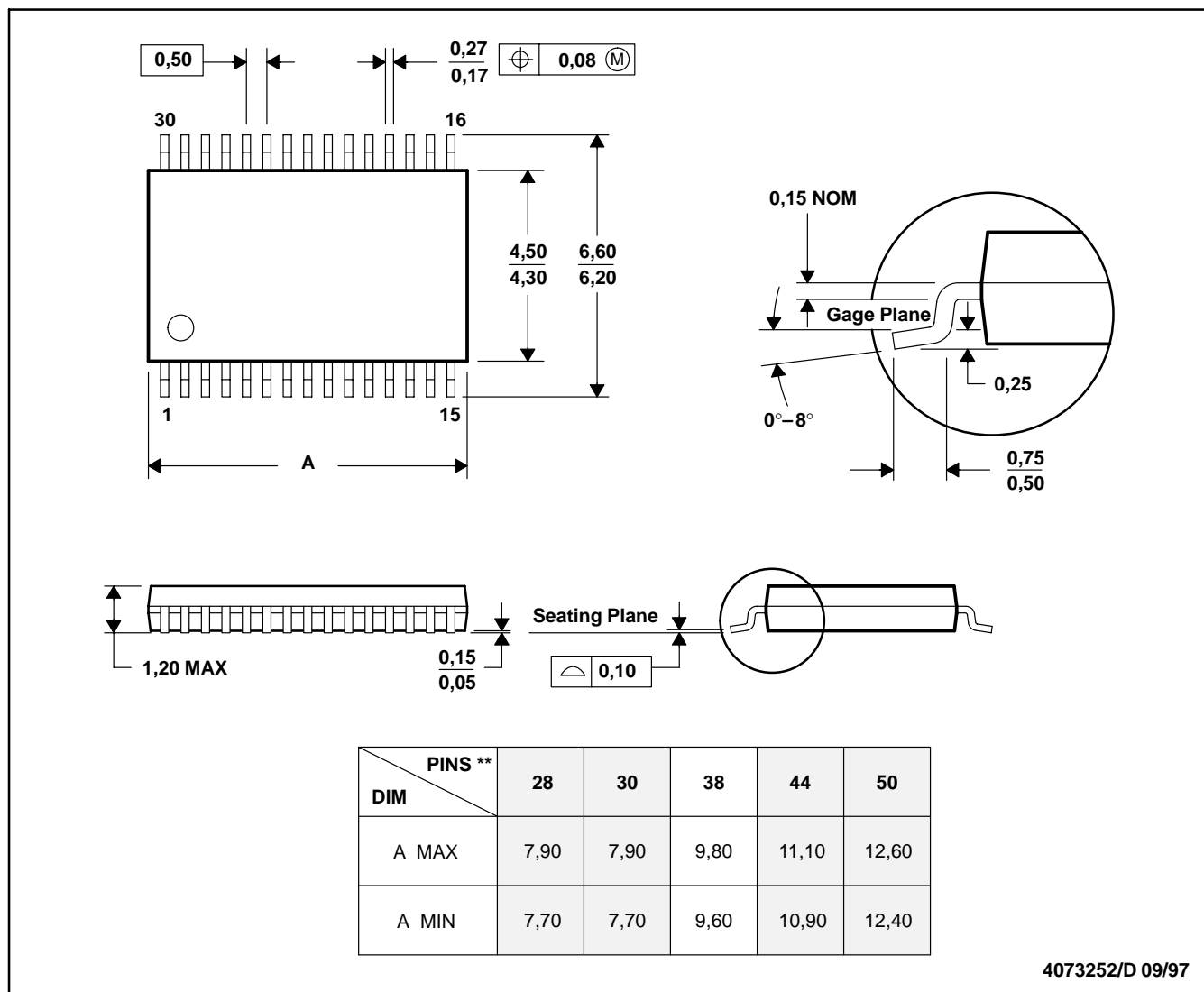
SLLS448A – SEPTEMBER 2000 – REVISED MAY 2001

MECHANICAL DATA

DBT (R-PDSO-G**)

PLASTIC SMALL-OUTLINE PACKAGE

30 PINS SHOWN



4073252/D 09/97

- NOTES: A. All linear dimensions are in millimeters.
 B. This drawing is subject to change without notice.
 C. Body dimensions do not include mold flash or protrusion.
 D. Falls within JEDEC MO-153



POST OFFICE BOX 655303 • DALLAS, TEXAS 75265

PACKAGING INFORMATION

Orderable Device	Status ⁽¹⁾	Package Type	Package Drawing	Pins	Package Qty	Eco Plan ⁽²⁾	Lead/Ball Finish	MSL Peak Temp ⁽³⁾
SN65LVDS388DBT	NRND	TSSOP	DBT	38		Green (RoHS & no Sb/Br)	CU NIPDAU	Level-2-260C-1 YEAR
SN65LVDS388DBTR	NRND	TSSOP	DBT	38		Green (RoHS & no Sb/Br)	CU NIPDAU	Level-2-260C-1 YEAR
SN65LVDT388DBT	OBSOLETE	TSSOP	DBT	38		Green (RoHS & no Sb/Br)	CU NIPDAU	Level-2-260C-1 YEAR
SN65LVDT388DBTR	OBSOLETE	TSSOP	DBT	38		Green (RoHS & no Sb/Br)	CU NIPDAU	Level-2-260C-1 YEAR
SN75LVDS388DBT	NRND	TSSOP	DBT	38		Green (RoHS & no Sb/Br)	CU NIPDAU	Level-2-260C-1 YEAR
SN75LVDS388DBTR	NRND	TSSOP	DBT	38		Green (RoHS & no Sb/Br)	CU NIPDAU	Level-2-260C-1 YEAR
SN75LVDT388DBT	OBSOLETE	TSSOP	DBT	38		Green (RoHS & no Sb/Br)	CU NIPDAU	Level-2-260C-1 YEAR
SN75LVDT388DBTR	OBSOLETE	TSSOP	DBT	38		Green (RoHS & no Sb/Br)	CU NIPDAU	Level-2-260C-1 YEAR

⁽¹⁾ The marketing status values are defined as follows:

ACTIVE: Product device recommended for new designs.

LIFEBUY: TI has announced that the device will be discontinued, and a lifetime-buy period is in effect.

NRND: Not recommended for new designs. Device is in production to support existing customers, but TI does not recommend using this part in a new design.

PREVIEW: Device has been announced but is not in production. Samples may or may not be available.

OBSOLETE: TI has discontinued the production of the device.

⁽²⁾ Eco Plan - The planned eco-friendly classification: Pb-Free (RoHS), Pb-Free (RoHS Exempt), or Green (RoHS & no Sb/Br) - please check <http://www.ti.com/productcontent> for the latest availability information and additional product content details.

TBD: The Pb-Free/Green conversion plan has not been defined.

Pb-Free (RoHS): TI's terms "Lead-Free" or "Pb-Free" mean semiconductor products that are compatible with the current RoHS requirements for all 6 substances, including the requirement that lead not exceed 0.1% by weight in homogeneous materials. Where designed to be soldered at high temperatures, TI Pb-Free products are suitable for use in specified lead-free processes.

Pb-Free (RoHS Exempt): This component has a RoHS exemption for either 1) lead-based flip-chip solder bumps used between the die and package, or 2) lead-based die adhesive used between the die and leadframe. The component is otherwise considered Pb-Free (RoHS compatible) as defined above.

Green (RoHS & no Sb/Br): TI defines "Green" to mean Pb-Free (RoHS compatible), and free of Bromine (Br) and Antimony (Sb) based flame retardants (Br or Sb do not exceed 0.1% by weight in homogeneous material)

⁽³⁾ MSL, Peak Temp. -- The Moisture Sensitivity Level rating according to the JEDEC industry standard classifications, and peak solder temperature.

Important Information and Disclaimer:The information provided on this page represents TI's knowledge and belief as of the date that it is provided. TI bases its knowledge and belief on information provided by third parties, and makes no representation or warranty as to the accuracy of such information. Efforts are underway to better integrate information from third parties. TI has taken and continues to take reasonable steps to provide representative and accurate information but may not have conducted destructive testing or chemical analysis on incoming materials and chemicals. TI and TI suppliers consider certain information to be proprietary, and thus CAS numbers and other limited information may not be available for release.

In no event shall TI's liability arising out of such information exceed the total purchase price of the TI part(s) at issue in this document sold by TI to Customer on an annual basis.

TAPE AND REEL INFORMATION



QUADRANT ASSIGNMENTS FOR PIN 1 ORIENTATION IN TAPE



*All dimensions are nominal

Device	Package Type	Package Drawing	Pins	SPQ	Reel Diameter (mm)	Reel Width W1 (mm)	A0 (mm)	B0 (mm)	K0 (mm)	P1 (mm)	W (mm)	Pin1 Quadrant
SN65LVDS388DBTR	TSSOP	DBT	38	0	330.0	16.4	6.9	10.2	1.8	12.0	16.0	Q1
SN65LVDT388DBTR	TSSOP	DBT	38	0	330.0	16.4	6.9	10.2	1.8	12.0	16.0	Q1
SN75LVDS388DBTR	TSSOP	DBT	38	0	330.0	16.4	6.9	10.2	1.8	12.0	16.0	Q1
SN75LVDT388DBTR	TSSOP	DBT	38	0	330.0	16.4	6.9	10.2	1.8	12.0	16.0	Q1

TAPE AND REEL BOX DIMENSIONS



*All dimensions are nominal

Device	Package Type	Package Drawing	Pins	SPQ	Length (mm)	Width (mm)	Height (mm)
SN65LVDS388DBTR	TSSOP	DBT	38	0	346.0	346.0	33.0
SN65LVDT388DBTR	TSSOP	DBT	38	0	346.0	346.0	33.0
SN75LVDS388DBTR	TSSOP	DBT	38	0	346.0	346.0	33.0
SN75LVDT388DBTR	TSSOP	DBT	38	0	346.0	346.0	33.0

IMPORTANT NOTICE

Texas Instruments Incorporated and its subsidiaries (TI) reserve the right to make corrections, modifications, enhancements, improvements, and other changes to its products and services at any time and to discontinue any product or service without notice. Customers should obtain the latest relevant information before placing orders and should verify that such information is current and complete. All products are sold subject to TI's terms and conditions of sale supplied at the time of order acknowledgment.

TI warrants performance of its hardware products to the specifications applicable at the time of sale in accordance with TI's standard warranty. Testing and other quality control techniques are used to the extent TI deems necessary to support this warranty. Except where mandated by government requirements, testing of all parameters of each product is not necessarily performed.

TI assumes no liability for applications assistance or customer product design. Customers are responsible for their products and applications using TI components. To minimize the risks associated with customer products and applications, customers should provide adequate design and operating safeguards.

TI does not warrant or represent that any license, either express or implied, is granted under any TI patent right, copyright, mask work right, or other TI intellectual property right relating to any combination, machine, or process in which TI products or services are used. Information published by TI regarding third-party products or services does not constitute a license from TI to use such products or services or a warranty or endorsement thereof. Use of such information may require a license from a third party under the patents or other intellectual property of the third party, or a license from TI under the patents or other intellectual property of TI.

Reproduction of TI information in TI data books or data sheets is permissible only if reproduction is without alteration and is accompanied by all associated warranties, conditions, limitations, and notices. Reproduction of this information with alteration is an unfair and deceptive business practice. TI is not responsible or liable for such altered documentation. Information of third parties may be subject to additional restrictions.

Resale of TI products or services with statements different from or beyond the parameters stated by TI for that product or service voids all express and any implied warranties for the associated TI product or service and is an unfair and deceptive business practice. TI is not responsible or liable for any such statements.

TI products are not authorized for use in safety-critical applications (such as life support) where a failure of the TI product would reasonably be expected to cause severe personal injury or death, unless officers of the parties have executed an agreement specifically governing such use. Buyers represent that they have all necessary expertise in the safety and regulatory ramifications of their applications, and acknowledge and agree that they are solely responsible for all legal, regulatory and safety-related requirements concerning their products and any use of TI products in such safety-critical applications, notwithstanding any applications-related information or support that may be provided by TI. Further, Buyers must fully indemnify TI and its representatives against any damages arising out of the use of TI products in such safety-critical applications.

TI products are neither designed nor intended for use in military/aerospace applications or environments unless the TI products are specifically designated by TI as military-grade or "enhanced plastic." Only products designated by TI as military-grade meet military specifications. Buyers acknowledge and agree that any such use of TI products which TI has not designated as military-grade is solely at the Buyer's risk, and that they are solely responsible for compliance with all legal and regulatory requirements in connection with such use.

TI products are neither designed nor intended for use in automotive applications or environments unless the specific TI products are designated by TI as compliant with ISO/TS 16949 requirements. Buyers acknowledge and agree that, if they use any non-designated products in automotive applications, TI will not be responsible for any failure to meet such requirements.

Following are URLs where you can obtain information on other Texas Instruments products and application solutions:

Products

Amplifiers	amplifier.ti.com
Data Converters	dataconverter.ti.com
DSP	dsp.ti.com
Clocks and Timers	www.ti.com/clocks
Interface	interface.ti.com
Logic	logic.ti.com
Power Mgmt	power.ti.com
Microcontrollers	microcontroller.ti.com
RFID	www.ti-rfid.com
RF/IF and ZigBee® Solutions	www.ti.com/lprf

Applications

Audio	www.ti.com/audio
Automotive	www.ti.com/automotive
Broadband	www.ti.com/broadband
Digital Control	www.ti.com/digitalcontrol
Medical	www.ti.com/medical
Military	www.ti.com/military
Optical Networking	www.ti.com/opticalnetwork
Security	www.ti.com/security
Telephony	www.ti.com/telephony
Video & Imaging	www.ti.com/video
Wireless	www.ti.com/wireless

Mailing Address: Texas Instruments, Post Office Box 655303, Dallas, Texas 75265
Copyright © 2008, Texas Instruments Incorporated