

**VXR SERIES**

105°C 7000 hours, Snap-in Terminal Type.

◆FEATURES

- Load Life : 105°C 7000 hours.
- RoHS compliance.



◆SPECIFICATIONS

Items	Characteristics		
Category Temperature Range	-25~+105°C		
Rated Voltage Range	160~450V.DC		
Capacitance Tolerance	±20% (20°C, 120Hz)		
Leakage Current(MAX)	$I=3\sqrt{CV}$ (After 5 minutes application of rated voltage) I=Leakage Current(µA)      C=Capacitance(µF)      V=Rated Voltage(V)		
(tanδ) Dissipation Factor(MAX)	Rated Voltage (V)	160~250	315~450 (20°C, 120Hz)
	tanδ	0.15	0.20
Endurance	After applying rated voltage with rated ripple current for 7000 hours at 105°C, the capacitors shall meet the following requirements.		
	Capacitance Change	Within ±20% of the initial value.	
	Dissipation Factor	Not more than 200% of the specified value.	
	Leakage Current	Not more than the specified value.	
Low Temperature Stability Impedance Ratio(MAX)	Rated Voltage (V)	160~250	315~450 (120Hz)
	Z(-25°C)/Z(20°C)	3	8

◆MULTIPLIER FOR RIPPLE CURRENT

Frequency Coefficient

Frequency (Hz)		60 (50)	120	500	1k	10k≤
Coefficient	160~250VV	0.80	1.00	1.20	1.30	1.50
	315~450VV	0.80	1.00	1.20	1.25	1.40

◆OPTION

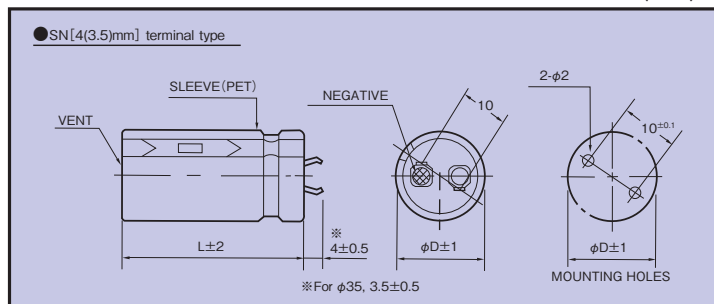
	Code
PET Sleeve without plate	EFC

◆PART NUMBER

□□□
VXR
□□□□□
M
□□□
SN
DXL  
 Rated Voltage      Series      Capacitance      Capacitance Tolerance      Option      Terminal Code      Case Size

◆DIMENSIONS

(mm)



**◆STANDARD SIZE**

Cap(μF) WV φD	160				180			
	φ22	φ25	φ30	φ35	φ22	φ25	φ30	φ35
220					22×25:1.00			
270	22×25:1.10				22×25:1.10			
330	22×25:1.20				22×30:1.20	25×25:1.20		
390	22×30:1.30	25×25:1.30			22×30:1.30	25×25:1.30		
470	22×35:1.40	25×30:1.40			22×35:1.40	25×30:1.40	30×25:1.40	
560	22×40:1.50	25×30:1.50	30×25:1.50		22×40:1.50	25×35:1.50	30×25:1.50	
680	22×45:1.70	25×35:1.70	30×30:1.70		22×45:1.70	25×35:1.70	30×30:1.70	
820	22×50:2.00	25×40:2.00	30×30:2.00			25×40:2.00	30×35:2.00	35×30:2.00
1000		25×45:2.20	30×35:2.20	35×30:2.20		25×50:2.20	30×35:2.20	35×30:2.20
1200		25×50:2.30	30×40:2.30	35×35:2.30			30×40:2.30	35×35:2.30
1500			30×45:2.50	35×35:2.50			30×50:2.50	35×40:2.50
1800			30×50:2.70	35×40:2.70				35×45:2.70
2200				35×45:2.90				35×50:2.90

Cap(μF) WV φD	200				250			
	φ22	φ25	φ30	φ35	φ22	φ25	φ30	φ35
180					22×25:0.90	25×25:0.90		
220	22×25:1.00				22×30:1.00	25×25:1.00		
270	22×30:1.10	25×25:1.10			22×35:1.10	25×30:1.10	30×25:1.10	
330	22×30:1.20	25×25:1.20			22×40:1.20	25×30:1.20	30×25:1.20	
390	22×35:1.30	25×30:1.30	30×25:1.30		22×45:1.30	25×35:1.30	30×30:1.30	
470	22×40:1.40	25×35:1.40	30×25:1.40		22×50:1.40	25×40:1.40	30×30:1.40	35×30:1.40
560	22×45:1.50	25×35:1.50	30×30:1.50			25×45:1.50	30×35:1.50	35×30:1.50
680	22×50:1.70	25×40:1.70	30×30:1.70			25×50:1.70	30×40:1.70	35×35:1.70
820		25×45:2.00	30×35:2.00	35×30:2.00			30×45:2.00	35×35:2.00
1000			30×40:2.20	35×35:2.20			30×50:2.20	35×40:2.20
1200			30×45:2.30	35×40:2.30				35×45:2.30
1500				35×50:2.50				

Cap(μF) WV φD	315				350			
	φ22	φ25	φ30	φ35	φ22	φ25	φ30	φ35
82	22×25:0.64				22×25:0.64			
100	22×30:0.69				22×30:0.69	25×25:0.69		
120	22×30:0.75	25×25:0.75			22×35:0.75	25×30:0.75		
150	22×35:0.82	25×30:0.82	30×25:0.82		22×40:0.82	25×30:0.82	30×25:0.82	
180	22×40:0.90	25×30:0.90	30×25:0.90		22×45:0.90	25×35:0.90	30×30:0.90	
220	22×45:1.00	25×35:1.00	30×30:1.00		22×50:1.00	25×40:1.00	30×30:1.00	
270		25×40:1.10	30×35:1.10	35×30:1.10		25×45:1.10	30×35:1.10	35×30:1.10
330		25×50:1.20	30×40:1.20	35×30:1.20			30×40:1.20	35×35:1.20
390			30×40:1.30	35×35:1.30			30×45:1.30	35×35:1.30
470			30×45:1.40	35×40:1.40			30×50:1.40	35×40:1.40
560				35×45:1.50				35×50:1.50
680				35×50:1.70				

Cap(μF) WV φD	400				450			
	φ22	φ25	φ30	φ35	φ22	φ25	φ30	φ35
39					22×25:0.37			
47					22×30:0.40			
56	22×25:0.51				22×35:0.47	25×25:0.47		
68	22×30:0.56	25×25:0.56			22×40:0.53	25×30:0.53		
82	22×30:0.64	25×25:0.64			22×45:0.56	25×35:0.56	30×25:0.56	
100	22×35:0.69	25×30:0.69			22×50:0.64	25×40:0.64	30×30:0.64	
120	22×40:0.75	25×30:0.75	30×25:0.75			25×45:0.72	30×30:0.72	
150	22×45:0.82	25×35:0.82	30×30:0.82			25×50:0.79	30×40:0.79	35×30:0.79
180	22×50:0.90	25×40:0.90	30×30:0.90	35×25:0.90			30×45:0.87	35×35:0.87
220		25×45:1.00	30×35:1.00	35×30:1.00			30×50:1.00	35×40:1.00
270			30×40:1.10	35×35:1.10				35×45:1.19
330			30×45:1.20	35×40:1.20				35×50:1.38
390				35×45:1.30				
470				35×50:1.40				

Case Size φD×L(mm) ↑

↑ Ripple Current (A r.m.s./120Hz, 105°C)