

**VXG SERIES**

105°C 5000 hours, Miniaturized, Snap-in Terminal Type

◆FEATURES

- Load Life : 105°C 5000 hours.
- RoHS compliance.



◆SPECIFICATIONS

Items	Characteristics																									
Category Temperature Range	-40~+105°C	-25~+105°C																								
Rated Voltage Range	10~100V.DC	200~500V.DC																								
Capacitance Tolerance	±20% (20°C, 120Hz)																									
Leakage Current(MAX)	$I=3\sqrt{CV}$ (After 5 minutes application of rated voltage) I=Leakage Current(µA)      C=Capacitance(µF)      V=Rated Voltage(V)																									
(tanδ) Dissipation Factor(MAX)	<table border="1"> <thead> <tr> <th>Rated Voltage (V)</th> <th>10</th> <th>16</th> <th>25</th> <th>35</th> <th>50</th> <th>63</th> <th>80</th> <th>100</th> <th>200~250</th> <th>400~450</th> <th>500</th> </tr> </thead> <tbody> <tr> <td>tanδ</td> <td>0.55</td> <td>0.50</td> <td>0.45</td> <td>0.40</td> <td>0.35</td> <td>0.30</td> <td>0.25</td> <td>0.20</td> <td>0.20</td> <td>0.20</td> <td>0.25</td> </tr> </tbody> </table> (20°C, 120Hz)		Rated Voltage (V)	10	16	25	35	50	63	80	100	200~250	400~450	500	tanδ	0.55	0.50	0.45	0.40	0.35	0.30	0.25	0.20	0.20	0.20	0.25
Rated Voltage (V)	10	16	25	35	50	63	80	100	200~250	400~450	500															
tanδ	0.55	0.50	0.45	0.40	0.35	0.30	0.25	0.20	0.20	0.20	0.25															
Endurance	After applying rated voltage with rated ripple current for 5000 hours at 105°C, the capacitors shall meet the following requirements. <table border="1"> <tbody> <tr> <td>Capacitance Change</td> <td>Within ±20%(For 10WV ; ±25%)of the initial value.</td> </tr> <tr> <td>Dissipation Factor</td> <td>Not more than 200% of the specified value.</td> </tr> <tr> <td>Leakage Current</td> <td>Not more than the specified value.</td> </tr> </tbody> </table>		Capacitance Change	Within ±20%(For 10WV ; ±25%)of the initial value.	Dissipation Factor	Not more than 200% of the specified value.	Leakage Current	Not more than the specified value.																		
Capacitance Change	Within ±20%(For 10WV ; ±25%)of the initial value.																									
Dissipation Factor	Not more than 200% of the specified value.																									
Leakage Current	Not more than the specified value.																									
Low Temperature Stability Impedance Ratio(MAX)	<table border="1"> <thead> <tr> <th>Rated Voltage (V)</th> <th>10~100</th> <th>200~250</th> <th>400~450</th> <th>500</th> </tr> </thead> <tbody> <tr> <td>Z(-25°C)/Z(20°C)</td> <td>3</td> <td>3</td> <td>8</td> <td>12</td> </tr> <tr> <td>Z(-40°C)/Z(20°C)</td> <td>12</td> <td>-</td> <td>-</td> <td>-</td> </tr> </tbody> </table> (120Hz)		Rated Voltage (V)	10~100	200~250	400~450	500	Z(-25°C)/Z(20°C)	3	3	8	12	Z(-40°C)/Z(20°C)	12	-	-	-									
Rated Voltage (V)	10~100	200~250	400~450	500																						
Z(-25°C)/Z(20°C)	3	3	8	12																						
Z(-40°C)/Z(20°C)	12	-	-	-																						

◆MULTIPLIER FOR RIPPLE CURRENT

Frequency Coefficient

Frequency (Hz)		60(50)	120	500	1k	10k≤
Coefficient	10~100WV	0.90	1.00	1.05	1.10	1.15
	200~250WV	0.80	1.00	1.20	1.30	1.50
	400~500WV	0.80	1.00	1.20	1.25	1.40

◆OPTION

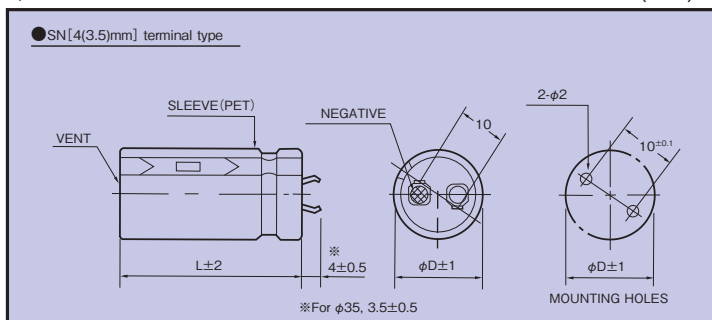
	Code
PET Sleeve without plate	EFC

◆PART NUMBER

□□□    VXG    □□□□□    M    □□□    SN    DXL  
 Rated Voltage    Series    Capacitance    Capacitance Tolerance    Option    Terminal Code    Case Size

◆DIMENSIONS

(mm)



◆ STANDARD SIZE

Cap(μF)	WV φD	10				16			
		φ22	φ25	φ30	φ35	φ22	φ25	φ30	φ35
5600						22×25: 1.44			
6800						22×30: 1.66			
8200		22×25: 1.36				22×30: 1.79	25×25: 1.67		
10000		22×30: 1.65				22×35: 2.08	25×30: 2.07		
12000		22×35: 1.85	25×25: 1.82			22×40: 2.36	25×35: 2.37	30×25: 2.13	
15000		22×40: 2.12	25×30: 2.11	30×25: 2.14		22×45: 2.69	25×40: 2.72	30×30: 2.54	
18000		22×45: 2.40	25×35: 2.32	30×30: 2.37			25×45: 3.06	30×35: 3.02	35×30: 3.09
22000			25×40: 2.59	30×30: 2.73			25×50: 3.39	30×40: 3.46	35×30: 3.31
27000			25×45: 3.01	30×35: 3.13	35×30: 3.05			30×45: 3.88	35×35: 3.85
33000			25×50: 3.43	30×40: 3.53	35×35: 3.49			30×50: 4.33	35×40: 4.33
39000				30×45: 3.78	35×40: 3.96				35×45: 4.96
47000				30×50: 4.58	35×45: 4.60				35×50: 5.49
56000					35×50: 5.06				

Cap(μF)	WV φD	25				35			
		φ22	φ25	φ30	φ35	φ22	φ25	φ30	φ35
2700						22×25: 1.29			
3300						22×30: 1.54			
3900		22×25: 1.31				22×35: 1.77	25×25: 1.55		
4700		22×30: 1.55				22×40: 2.01	25×30: 1.87		
5600		22×35: 1.77	25×25: 1.56			22×45: 2.25	25×35: 2.18	30×25: 1.80	
6800		22×40: 2.02	25×30: 1.88			22×50: 2.49	25×40: 2.45	30×30: 2.28	
8200		22×45: 2.27	25×35: 2.18	30×25: 1.92			25×45: 2.80	30×35: 2.69	
10000		22×50: 2.56	25×40: 2.53	30×30: 2.38				30×40: 3.04	35×30: 2.78
12000			25×45: 2.79	30×35: 2.70	35×30: 2.76			30×45: 3.38	35×35: 3.30
15000				30×40: 3.13	35×30: 3.00				35×40: 3.88
18000				30×45: 3.52	35×35: 3.50				35×45: 4.40
22000				30×50: 3.92	35×40: 3.95				
27000					35×50: 4.72				

Cap(μF)	WV φD	50				63			
		φ22	φ25	φ30	φ35	φ22	φ25	φ30	φ35
1000						22×25: 1.10			
1200						22×25: 1.17			
1500		22×25: 1.21				22×30: 1.41	25×25: 1.38		
1800		22×25: 1.28				22×35: 1.62	25×30: 1.63		
2200		22×30: 1.52	25×25: 1.46			22×40: 1.85	25×30: 1.75	30×25: 1.66	
2700		22×35: 1.77	25×30: 1.76			22×45: 2.10	25×35: 2.03	30×30: 2.01	
3300		22×40: 2.02	25×30: 1.87	30×25: 1.72			25×40: 2.33	30×30: 2.15	
3900		22×45: 2.27	25×35: 2.20	30×30: 2.09			25×45: 2.58	30×35: 2.46	35×30: 2.31
4700			25×40: 2.43	30×30: 2.22				30×40: 2.82	35×35: 2.77
5600			25×45: 2.72	30×35: 2.58	35×30: 2.35			30×45: 3.22	35×40: 3.20
6800				30×40: 3.01	35×35: 2.91				35×45: 3.61
8200				30×50: 3.63	35×40: 3.36				35×50: 3.94
10000					35×45: 3.79				
12000					35×50: 4.06				

Cap(μF)	WV φD	80				100			
		φ22	φ25	φ30	φ35	φ22	φ25	φ30	φ35
560						22×25: 1.01			
680						22×30: 1.19			
820		22×25: 1.09				22×35: 1.33	25×25: 1.26		
1000		22×30: 1.29				22×40: 1.56	25×30: 1.52	30×25: 1.47	
1200		22×35: 1.48	25×25: 1.32			22×45: 1.76	25×35: 1.76	30×30: 1.76	
1500		22×40: 1.70	25×30: 1.74	30×25: 1.58			25×40: 2.03	30×30: 1.89	
1800		22×45: 1.91	25×35: 1.86	30×25: 1.68			25×45: 2.29	30×35: 2.19	35×30: 2.05
2200			25×45: 2.22	30×30: 2.02				30×40: 2.52	35×35: 2.48
2700				30×35: 2.50	35×30: 2.18			30×45: 2.86	35×40: 2.87
3300				30×40: 2.69	35×35: 2.60				35×45: 3.25
3900				30×45: 2.94	35×40: 3.00				35×50: 3.56
4700					35×45: 3.44				
5600					35×50: 3.72				

↑ Ripple Current (A r.m.s./120Hz, 105°C)  
Case Size φD×L(mm)

◆ STANDARD SIZE

Cap(μF)	WV φD	200				220								
		φ22	φ25	φ30	φ35	φ22	φ25	φ30	φ35					
270	22×25	1.09				22×25	1.04							
330	22×30	1.31				22×30	1.26							
390	22×30	1.32	25×25	1.27		22×35	1.47	25×25	1.21					
470	22×35	1.54	25×30	1.54		22×40	1.64	25×30	1.47					
560	22×40	1.75	25×30	1.54		22×45	1.86	25×35	1.71	30×25	1.41			
680	22×45	1.96	25×35	1.79	30×25	1.46	22×50	2.05	25×40	1.94	30×30	1.71	35×25	1.54
820	22×50	2.15	25×40	2.03	30×30	1.77	35×25	1.59	25×45	2.16	30×35	1.99	35×30	1.89
1000			25×45	2.26	30×35	2.06	35×30	1.93	25×50	2.37	30×40	2.26	35×35	2.15
1200					30×40	2.34	35×35	2.22			30×45	2.51	35×40	2.48
1500					30×45	2.60	35×40	2.56			30×50	2.75	35×40	2.50
1800							35×45	2.85					35×50	3.04
2200							35×50	3.14						

Cap(μF)	WV φD	250				400							
		φ22	φ25	φ30	φ35	φ22	φ25	φ30	φ35				
82						22×25	0.64						
100						22×30	0.74						
120						22×30	0.79	25×25	0.79				
150						22×35	0.92	25×30	0.95				
180						22×40	1.05	25×35	1.10	30×25	0.97		
220	22×25	0.97				22×50	1.28	25×35	1.12	30×30	1.17	35×25	1.10
270	22×30	1.18						25×45	1.40	30×35	1.36	35×30	1.33
330	22×35	1.37	25×25	1.14				25×50	1.55	30×40	1.55	35×30	1.35
390	22×40	1.56	25×30	1.38						30×45	1.72	35×35	1.53
470	22×45	1.74	25×35	1.61	30×25	1.34				30×50	1.89	35×40	1.78
560	22×50	1.92	25×40	1.83	30×30	1.63	35×25	1.48				35×45	1.98
680			25×45	2.04	30×35	1.90	35×30	1.80				35×50	2.19
820			25×50	2.24	30×40	2.15	35×30	1.81					
1000					30×45	2.39	35×35	2.38					
1200					30×50	2.62	35×40	2.39					
1500							35×50	2.92					

Cap(μF)	WV φD	420				450								
		φ22	φ25	φ30	φ35	φ22	φ25	φ30	φ35					
82	22×25	0.61				22×25	0.60							
100	22×30	0.74				22×30	0.73	25×25	0.72					
120	22×35	0.86	25×25	0.75		22×35	0.84	25×30	0.87					
150	22×40	0.98	25×30	0.90		22×40	0.97	25×30	0.89	30×25	0.90			
180	22×45	1.09	25×35	1.05	30×25	0.93	22×45	1.08	25×35	1.03	30×30	1.08		
220	22×50	1.21	25×40	1.19	30×30	1.12	35×25	1.05	25×40	1.17	30×30	1.10	35×25	1.04
270			25×45	1.34	30×35	1.30	35×30	1.27	25×50	1.43	30×35	1.28	35×30	1.25
330					30×40	1.47	35×35	1.45			30×45	1.45	35×35	1.43
390					30×45	1.64	35×40	1.68			30×50	1.75	35×40	1.66
470					30×50	1.81	35×40	1.71					35×45	1.85
560							35×50	2.07					35×50	2.04

Cap(μF)	WV φD	500						
		φ22	φ25	φ30	φ35			
47	22×25	0.44						
56	22×30	0.51						
68	22×30	0.56	25×25	0.55				
82	22×35	0.68	25×30	0.64	30×25	0.63		
100	22×40	0.77	25×35	0.74	30×25	0.69		
120	22×50	0.87	25×35	0.81	30×30	0.81	35×25	0.78
150			25×45	0.97	30×35	0.96	35×30	0.92
180			25×50	1.10	30×40	1.07	35×30	1.00
220					30×45	1.22	35×40	1.21
270							35×40	1.32
330							35×45	1.50
390							35×55	1.73
470							35×60	1.92

↑ Ripple Current (A r.m.s./120Hz, 105°C)  
Case Size φD×L(mm)