

Schroff
AdvancedTCA air deflector

Catalog Number:21591-099



- Al Profile or Stainless steel
- With or without air buffer
- Air baffle blocks the air in unused slots
- Stainless steel



All front panels: Item 1 Al extrusion with air baffle; Item 2 Al extrusion for rear I/O with stiffening plate; Item 3 Al extrusion

Description

Delivery Includes: Kit

Version with CuBe gasket available on

Note: request

Delivery Comprises:

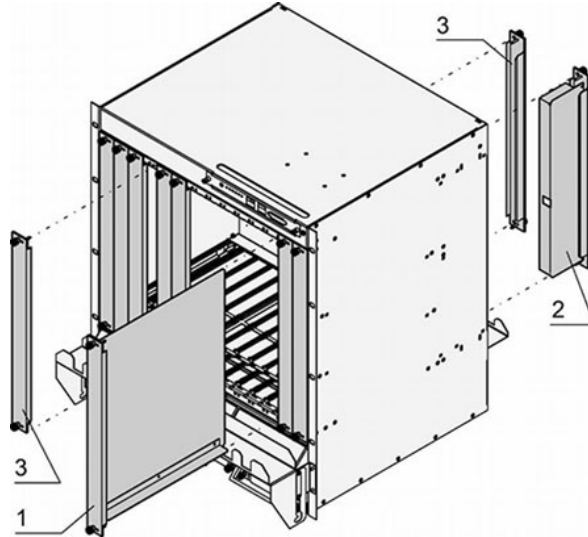
Item	Quantity	Description
1	1	Filler panel
2	1	Air baffle (front or rear)

Technical Data

AdvancedTCA air deflector

Catalog Number	21591-099
Depth mm	70.0
Height U	8.0
Width HP	6.0
w mm	28.95
Item	2
Description	Front panel, stainless steel, for rear I/O area, incl. air baffle with mesh gasket

Other Views



All front panels: Item 1 Al extrusion with air baffle; Item 2 Al extrusion for rear I/O with stiffening plate; Item 3 Al extrusion

