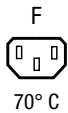


Distribution Unit with Power Cord and 4 IEC Appliance Outlets F

MISSING PICTURE: \\192.168.100.135\
EPIMFS\produktion\export\Da-
tasheets_PrGrp\DS_PrGrp_Con-
nection\DS_PrGrp_PG07_1_Ex-

MISSING PICTURE: \\192.168.100.135\
EPIMFS\produktion\export\Da-
tasheets_PrGrp\DS_PrGrp_Con-
nection\DS_PrGrp_PG07_1_Ex-

MISSING PICTURE: \\192.168.100.135\
EPIMFS\produktion\export\Da-
tasheets_PrGrp\DS_PrGrp_Con-
nection\DS_PrGrp_PG07_1_Ex-

**Description**

- Stand alone module
- 1 Function :
of 4 outlets , country specific cable and plug , Pin temperature 70 °C
, Protection class I

Approvals

- Approval Reference Type: 4748

Technical Data

| | |
|---------------------------------|---|
| Ratings IEC | 10A / 250VAC; 50Hz |
| Ratings UL/CSA | 15A / 250VAC; 60Hz |
| Dielectric Strength | > 2kVAC between L-N > 2kVAC between L/N-PE (1 min/50Hz) |
| Allowable Operation Temperature | -25 °C to 70 °C |
| Insulation cover | Suitable for appliances with protection class I acc. to IEC 61140 |
| Material: Housing | Thermoplastic, black, UL 94V-0 |

Characteristics

- Suitable for use in equipment according to IEC/UL 60950

Weblinks

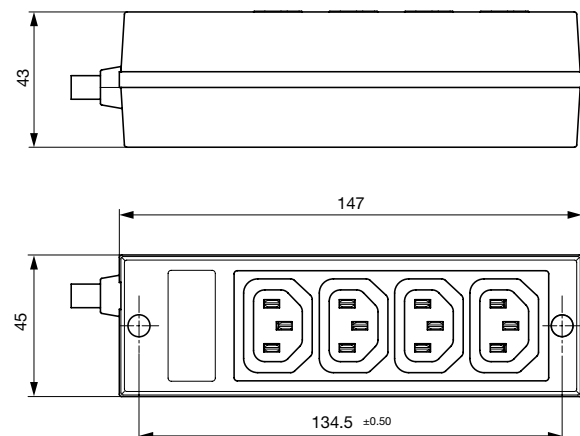
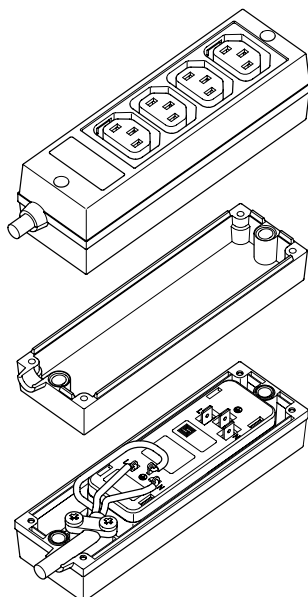
[pdf datasheet](#), [html-datasheet](#), [General Product Information](#), [RoHS](#), [CHINA-RoHS](#), [REACH](#), [Distributor-Stock-Check](#), [Accessories](#), [Detailed request for product](#)

| | |
|-------------------------|---|
| appliance inlet/-outlet | F acc. to IEC 60320-1, UL 498 CSA C22.2 no. 42 (for cold conditions) pin-temperature 70 °C, 10A, Protection Class I |
|-------------------------|---|

Detailed information on product approvals, code requirements, usage instructions and detailed test conditions can be looked up in [General Product Information](#)

Dimensions

Minibloc 4748 with cable



Mounting holes for 3 mm screws,
with 2 meter cable and appropriate plug

All Variants

| Terminal | Version with | Order Number |
|--|--------------|--------------|
| United Kingdom BS 1363 A, 10A | 2 m cable | 4748.0300 |
| Continental Europe CEE7/II (Schuko), 10A | 2 m cable | 4748.1300 |
| IEC/EN 60320-1/E, 10A | 2 m cable | 4748.2300 |
| North America NEMA 5-15A, 15A | 2 m cable | 4748.3300 |

Most Popular.

Availability for all products can be searched real-time: <http://www.schurter.com/en/Stock-Check/Stock-Check-SCHURTER>

Packaging unit 10 Pcs

Mating Inlets/Plugs

Category / Description

[Plug Overview complete](#)



| | |
|---|------|
| IEC Plug E, Cord Connector (Rewireable), Straight, max. cable Diameter 8.5 mm | 4732 |
| IEC Plug E, Cord Connector (Rewireable), Straight, max. Cable Diameter 10 mm | 4735 |
| IEC Plug E, Cord Connector (Rewireable), Straight | 9009 |
| IEC Plug E, Cord Connector (Rewireable), Angled, max. Cable Diameter 8.5 mm | 4733 |
| IEC Plug E, Cord Connector (Rewireable), Angled, max. Cable Diameter 10 mm | 4736 |
| Plug further types to 4748 | ... |