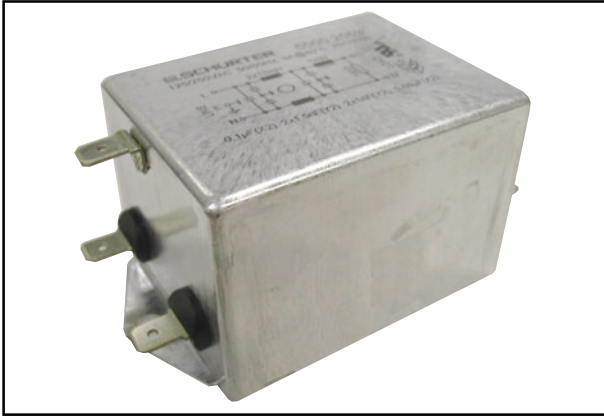


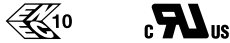
EMC-Power Line Filters for 1-Phase Systems

FSS2 Series, 2-stage all-purpose filters to Protection Class I, with high symmetrical insertion loss, conform to EN 133200, UL 1283 and IEC 60950

Nominal current: 1 – 10 A @ 40 °C
 Rated voltage U_R (U_{max}): 125/250 VAC 50/60 Hz
 Attenuation: Medium / Widerange
 Leakage current: for Standard and Industrial applications
 Test voltages: L/N → E 2.7 kVDC, 2 sec
 L → N 1.7 kVDC, 2 sec *
 Climatic category: 25/100/21 acc. to IEC 60068-1
 50% saturation typ.: 2 to 3 x I_N @ 20 °C
 Inrush current: 1.5 x I_N 1 min. per hour
 MTBF @ 40 °C / U_R (U_{max}): > 200'000 h acc. To MIL-HB-217 F
 * without resistor



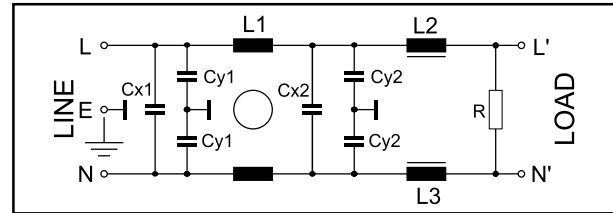
Approvals:



The filter series are specially suitable for use in switching power supplies. These 2-stage filters are particularly effective against symmetrical interference.

Use e.g. in power supplies, ultrasonic generators, static d.c. converter, generally in all those equipments where electronic switching processes with high repetition rate occur. Rated currents 1 to 16 A with leakage currents 0.25mA to 1.4mA.

Circuit diagram



Order Numbers and Technical Data

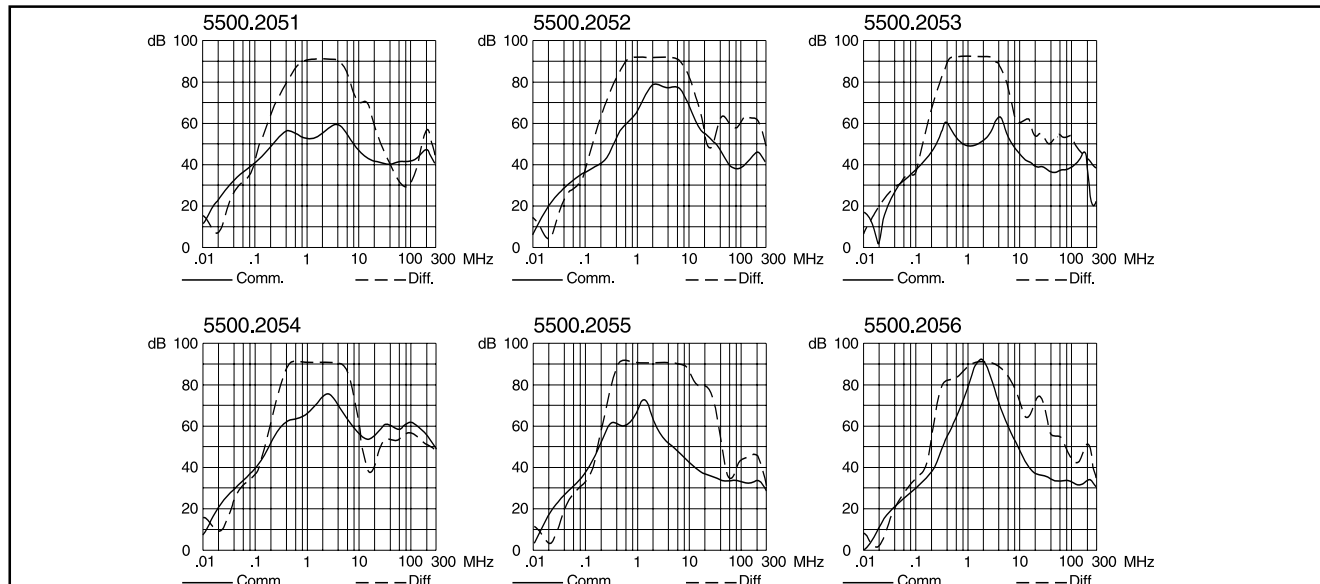
Type FSS2	I_N (1) @ ϑ_a 40 °C [A]	U_R (U_{max}) [VAC]	L1 (2) -30%/+50% [mH]	L2 (2) $\pm 15\%$ [mH]	L3 (2) $\pm 15\%$ [mH]	Leakage current (3) @ 250 V / 50 Hz [mA]	Cx1 [μ F]	Cx2 [μ F]	Cy1 [nF]	Cy2 [nF]	R [M Ω]	Case
5500.2051	1	250	2 x 15	1	-	< 0.25	0.1	0.47	1.5	1	1	10
5500.2052	2	250	2 x 10	0.4	0.4	< 0.25	0.1	0.47	1.5	1	1	10
5500.2053	3	250	2 x 12	1	-	< 0.25	0.1	0.68	1.5	1	1	48
5500.2054	4	250	2 x 10	0.8	-	< 1.4	0.1	0.68	10	4.7	1	48
5500.2055	6	250	2 x 6	0.5	-	< 1.4	0.1	0.68	10	4.7	1	48
5500.2056	10	250	2 x 5	0.2	0.2	< 1.4	0.1	1	10	4.7	1	19

(1) Current derating over 40°C : $I = I_N \times \sqrt{(100-\vartheta_a)/60}$

(2) Nominal inductance measured according to EN 138100, see introduction of this catalog, paragraph 3.4

(3) Measured according to IEC 60950 5.2.3 Annex D, see introduction of this catalog, paragraph 3.5

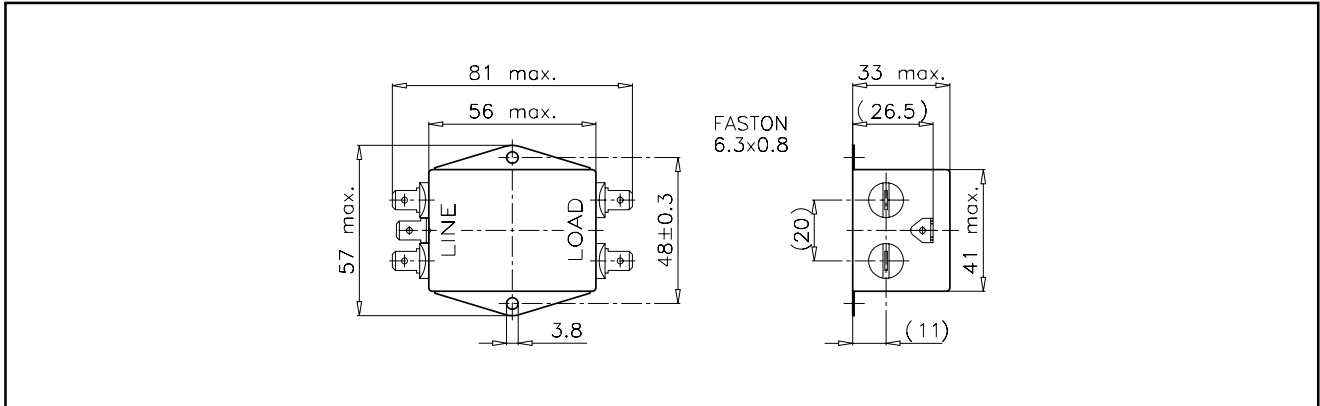
Insertion loss



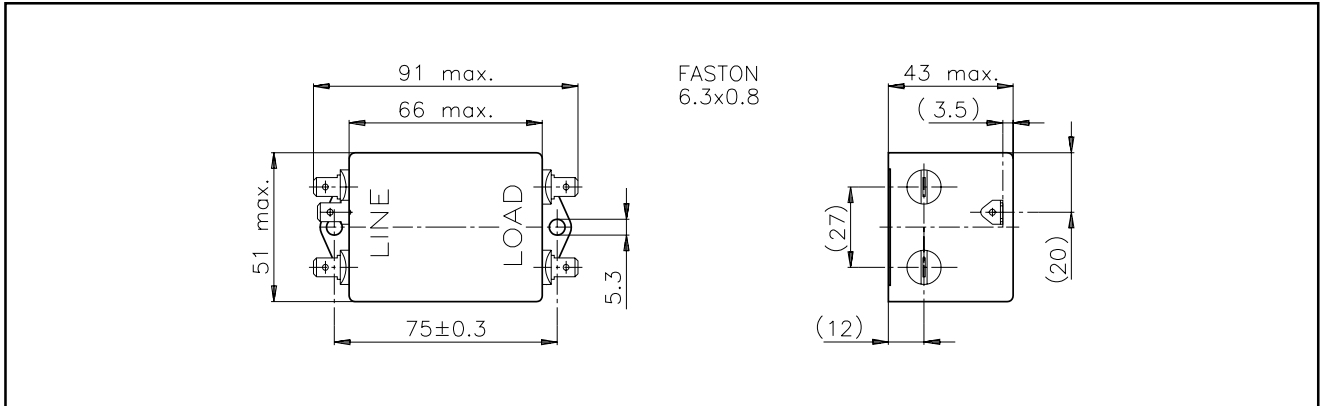
EMC-Power Line Filters for 1-Phase Systems

FSS2 Series, Cases

Case 10



Case 48



Case 19

