

IEC Appliance Inlet C14 or C18 with Filter, Protection Degree IP65 into the Appliance, Fuseholder 1- or 2-pole, Front or Rear Mounting

Medical fuse drawer



V-Lock

new



Mounting from front side



Mounting from rear side



5707 with sealing kit IP 54 for cord connection



Description

- Panel Mount:
Screw-on version from front or rear side, Screws with sealing are included
- 4 Functions:
Appliance Inlet protection class I or II, Line filter in standard and medical version, Fuseholder for fuse-links 5 x 20 mm, IP 65 protection into the appliance
- For front side mounting versions a sealing kit IP 54 for the power supply connection is available as an accessory: 4700.0021
- Quick connect terminals 6.3 x 0.8 mm

Approvals

- VDE Certificate Number: 40016382
- UL File Number: E72928

Characteristics

- Extreme robust design
- All single elements are already wired
- Screw type fuse carrier, slotted
Fuseholder meets requirements of medical standard IEC/EN 60601-1
The fuseholder can only be opened with the aid of a tool
The fuseholder is accessible from the equipment front
- With EMC-shield
- Especially for applications in rough environments
- Suitable for use in equipment according to IEC 60950

Other versions on request

- With solder terminals
- Class X1- and Y1-capacitors for enhanced withstand voltage
- Medical version M80
- Additional factory-mounted sealing (IP54) of power input
- Version with current rating 3 A

References

Alternative: Standard version

Weblinks

[pdf-datasheet](#), [html-datasheet](#), [General Product Information](#), [Approvals](#), [CE declaration of conformity](#), [RoHS](#), [CHINA-RoHS](#), [Mating Connectors](#), [e-Shop](#), [SCHURTER-Stock-Check](#), [Distributor-Stock-Check](#), [CAD-Drawings](#), [Accessories](#), [Wire Harnessing](#), [Mounting instruction](#), [Detailed request for product](#)

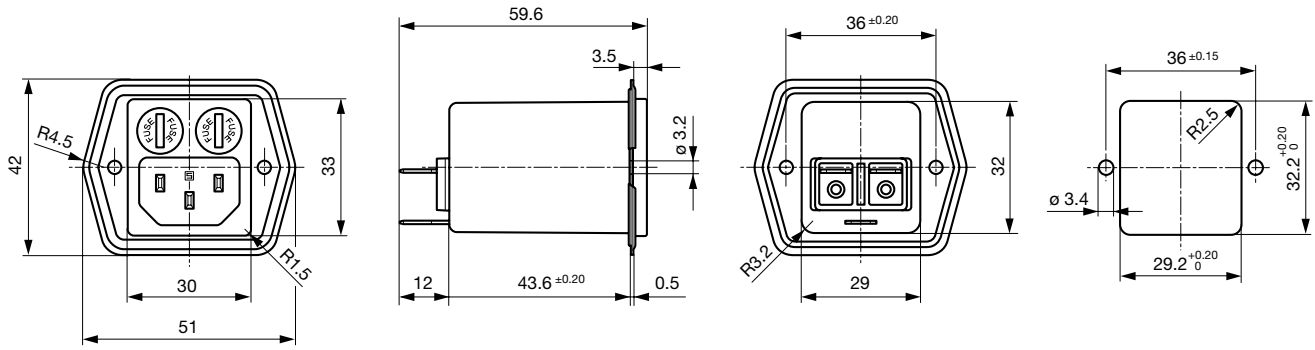
Newly available variants corresponding to V-Lock mating cordset. The connector is equipped with a notch intended for use with the latching cordset. The cord latching system prevents against accidental removal of the cordset.

Technical Data

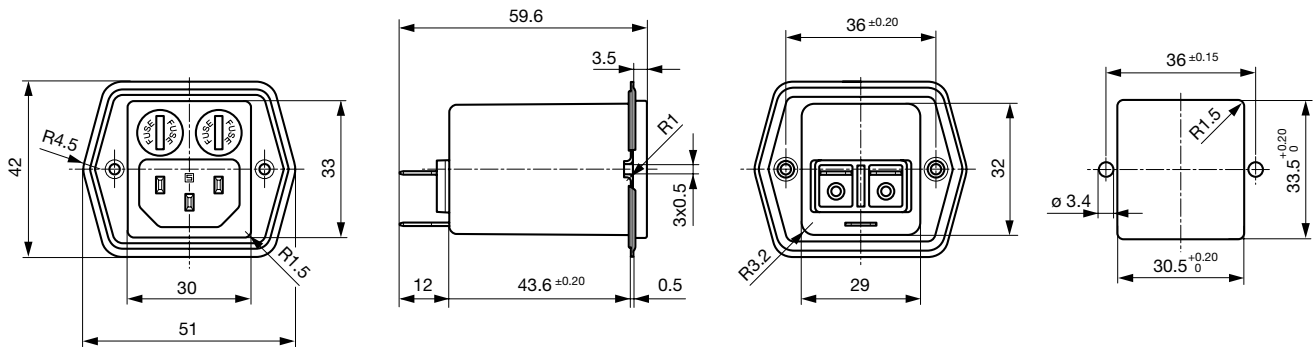
| | | | |
|---------------------------|--|-----------------------------------|---|
| Ratings IEC | 1 - 8A @ Ta 40 °C / 250VAC; 50Hz | Appliance-Inlet/-Outlet | C14 / C18 acc. to IEC 60320 |
| Ratings UL/CSA | 1 - 8A @ Ta 40 °C / 125VAC; 60Hz | | UL 498, CSA C22.2 no. 42 (for cold conditions) pin-temperature 70 °C, 8A, Protection Class I or II |
| Leakage Current | standard < 0.5 mA (250 V / 60Hz) medical < 5 µA (250 V / 60 Hz) | Fuseholder | 1 or 2 pole, Shocksafe category PC2 acc. to IEC 60127-6, for fuse-links 5 x 20mm |
| Dielectric Strength | > 1.7 kVDC between L-N > 2.7 kVDC between L/N-PE Test voltage (2 sec) | Rated Power Acceptance @ Ta 23 °C | 5 x 20: 1.6W 1-pole/ 1,2W 2-pole per pole |
| Allowable Operation Temp. | -25 °C to 85 °C | Power Acceptance @ Ta > 23 °C | Admissible power acceptance at higher ambient temperature see derating curves |
| Climatic Category | 25/085/21 acc. to IEC 60068-1 | Line Filter | Standard and Medical Version, IEC 60939, IEC 60601-1, UL 1283, UL 544, EN 133 200, CSA C22.2 no. 8 Technical Details |
| Degree of Protection | from front side IP 65 acc. to IEC 60529 from rear-side IP 65 acc. to IEC 60529 | MTBF | > 2'800'000h acc. to MIL-HB-217 F |
| Protection Class | Suitable for appliances with protection class I or II acc. to IEC 61140 | | |
| Terminal | Quick connect terminals 6.3 x 0.8 mm | | |
| Panel Thickness s | Screw, max 3mm Mounting screw torque max 0.8Nm 2 screws M3 with sealing are provided | | |
| Material: Housing | black / metallic, UL 94V-0 | | |

Dimensions

Mounting from front side

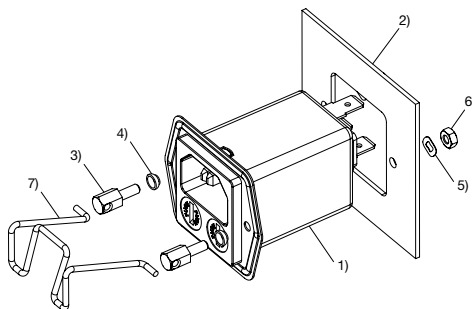


Mounting from rear side



Mounting instructions

Mounting sealing kit IP 54 for the power supply (only for frontside mounting)

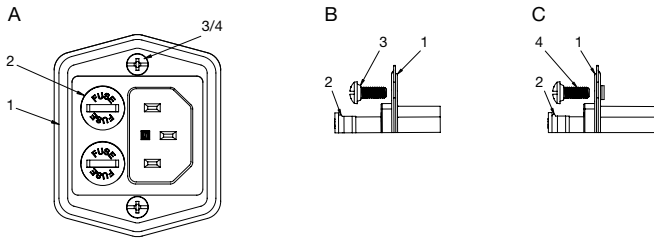


- 1) Power entry module with factory-mounted inlet gasket
- 2) Chassis
- 3) Pillar
- 4) Gasket ring
- 5) Crinkle washer
- 6) Nut
- 7) Retaining clip

Mating cordsets to sealing kit

| Part no | Country plug | Cable length | Cross section | Color |
|-----------|----------------|--------------|------------------------|-------|
| 6000.0214 | open end | 2.0 m | 3x1 mm ² | black |
| 6003.0215 | EURO plug | 2.5 m | 3x1 mm ² | black |
| 6004.0215 | EURO plug | 2.5 m | 3x1 mm ² | black |
| 6007.0212 | EURO plug | 1.0 m | 3x1 mm ² | black |
| 6007.0214 | EURO plug | 2.0 m | 3x1 mm ² | black |
| 6004.0114 | EURO plug | 2.0 m | 3x0.75 mm ² | black |
| 6026.0215 | Italy | 2.5 m | 3x1 mm ² | black |
| 6009.1315 | North America | 2.5 m | 3x18 AWG | black |
| 6047.6414 | North America | 2.0 m | 3x0.75 mm ² | black |
| 6009.1214 | North America | 2.0 m | 3x18 AWG | black |
| 6011.0215 | Switzerland | 2.5 m | 3x1 mm ² | black |
| 6044.0215 | United Kingdom | 2.5 m | 3x1 mm ² | black |

Mounting standard version



- A) front view
- B) detail front mounting type
- C) detail rear mounting type

- 1) sealing of flange
- 2) sealing of fuseholder
- 3) sealing of screw hole (front mounting type: sealing ring on screw head)
- 4) sealing of screw hole (rear mounting type: sealing on screw thread)

Important:

- use supplied fuse caps (2) and mounting screws (3/4)
- optimal sealing requires even and solid panel opening
- recommended tightening torque for mounting screws (2/3/4): 0.5-0.8 Nm
- IP65 protection between the inlet and connector pins, but no IP rating between the connector pins and the plug of the power cord!

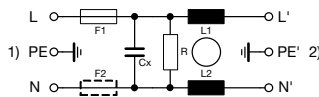
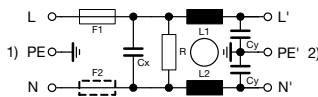
Technical Data of Filter-Components

| Rated Current [A] | Filter-Type | Inductances L [mH] | Capacitance CX [nF] | Capacitance CY [nF] | R [MΩ] |
|-------------------|-----------------------|--------------------|---------------------|---------------------|--------|
| 1 | Standard Version | 2 x 12 | 100 | 2.2 | 1 |
| 2 | Standard Version | 2 x 5.2 | 100 | 2.2 | 1 |
| 4 | Standard Version | 2 x 2 | 100 | 2.2 | 1 |
| 6 | Standard Version | 2 x 0.8 | 100 | 2.2 | 1 |
| 8 | Standard Version | 2 x 0.4 | 100 | 2.2 | 1 |
| 1 | Medical Version (M5) | 2 x 12 | 100 | - | 1 |
| 2 | Medical Version (M5) | 2 x 5.2 | 100 | - | 1 |
| 4 | Medical Version (M5) | 2 x 2 | 100 | - | 1 |
| 6 | Medical Version (M5) | 2 x 0.8 | 100 | - | 1 |
| 8 | Medical Version (M5) | 2 x 0.4 | 100 | - | 1 |
| 2 | Medical Version (M80) | 2 x 5.2 | 100 | 470 | 1 |

Diagrams

Standard version

Medical version M5

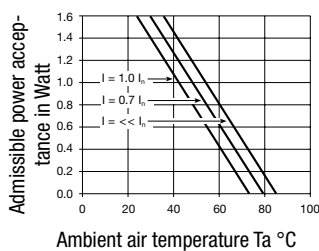


- 1) Line
- 2) Load

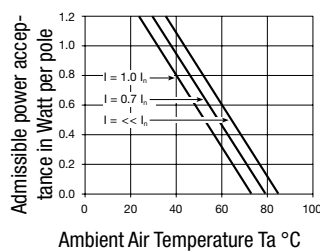
- 1) Line
- 2) Load

Derating Curves

1-pole



2-pole

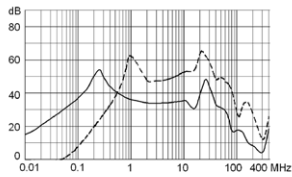


Attenuation Loss

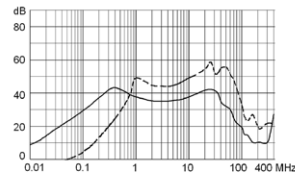
Standard version

---- differential mode ____ common mode

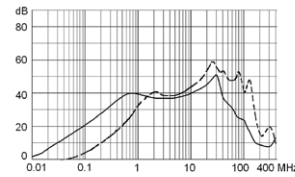
1 A



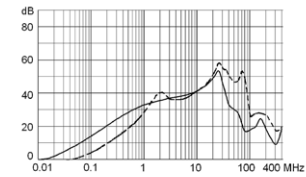
2 A



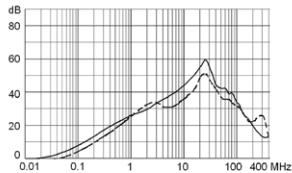
4 A



6 A

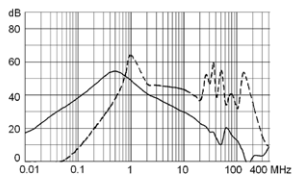


8 A

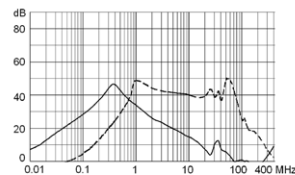


Medical version (M5)

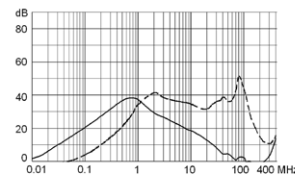
1 A



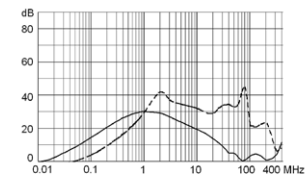
2 A



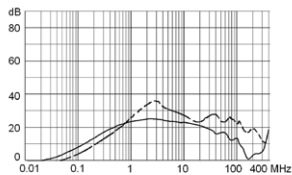
4 A



6 A



8 A



Variants

| Rated Current [A] | Filter-Type | Screw-on or rivet mounting version from front side | Screw-on version from rear with pre-formed, threaded holes for M3 screws | Protection Class | Fuseholder | Order Number |
|-------------------|------------------|--|--|------------------|------------|------------------|
| 1 | Standard Version | ● | | I | 1-pole | 5707.0101.112 |
| 2 | Standard Version | ● | | I | 1-pole | 5707.0201.112 |
| 4 | Standard Version | ● | | I | 1-pole | 5707.0401.112 |
| 6 | Standard Version | ● | | I | 1-pole | 5707.0601.112 |
| 8 | Standard Version | ● | | I | 1-pole | 5707.0801.112 |
| 1 | Standard Version | | ● | I | 1-pole | 5707.0101.113 |
| 2 | Standard Version | | ● | I | 1-pole | 5707.0201.113 |
| 4 | Standard Version | | ● | I | 1-pole | 5707.0401.113 |
| 6 | Standard Version | | ● | I | 1-pole | 5707.0601.113 |
| 8 | Standard Version | | ● | I | 1-pole | 5707.0801.113 |
| 1 | Standard Version | ● | | I | 2-pole | 5707.0101.312 |
| 2 | Standard Version | ● | | I | 2-pole | 5707.0201.312 |
| 4 | Standard Version | ● | | I | 2-pole | 5707.0401.312 |
| 6 | Standard Version | ● | | I | 2-pole | 5707.0601.312 |
| 8 | Standard Version | ● | | I | 2-pole | 5707.0801.312 |
| 8 | Standard Version | ● | | I | 2-pole | 5707.0801.312.01 |
| 1 | Standard Version | | ● | I | 2-pole | 5707.0101.313 |

| Rated Current [A] | Filter-Type | Screw-on or rivet mounting version from front side | Screw-on version from rear with pre-formed, threaded holes for M3 screws | Protection Class | Fuseholder | Order Number |
|-------------------|-----------------------|--|--|------------------|------------|------------------|
| 2 | Standard Version | | ● | I | 2-pole | 5707.0201.313 |
| 4 | Standard Version | | ● | I | 2-pole | 5707.0401.313 |
| 6 | Standard Version | | ● | I | 2-pole | 5707.0601.313 |
| 8 | Standard Version | | ● | I | 2-pole | 5707.0801.313 |
| 8 | Standard Version | | ● | I | 2-pole | 5707.0801.313.21 |
| 1 | Medical Version (M5) | ● | | I | 2-pole | 5707.0103.312 |
| 2 | Medical Version (M5) | ● | | I | 2-pole | 5707.0203.312 |
| 4 | Medical Version (M5) | ● | | I | 2-pole | 5707.0403.312 |
| 6 | Medical Version (M5) | ● | | I | 2-pole | 5707.0603.312 |
| 8 | Medical Version (M5) | ● | | I | 2-pole | 5707.0803.312 |
| 1 | Medical Version (M5) | | ● | I | 2-pole | 5707.0103.313 |
| 1 | Medical Version (M5) | | ● | I | 2-pole | 5707.0103.313.21 |
| 2 | Medical Version (M5) | | ● | I | 2-pole | 5707.0203.313 |
| 2 | Medical Version (M5) | | ● | I | 2-pole | 5707.0203.313.21 |
| 4 | Medical Version (M5) | | ● | I | 2-pole | 5707.0403.313 |
| 4 | Medical Version (M5) | | ● | I | 2-pole | 5707.0403.313.21 |
| 6 | Medical Version (M5) | | ● | I | 2-pole | 5707.0603.313 |
| 6 | Medical Version (M5) | | ● | I | 2-pole | 5707.0603.313.21 |
| 8 | Medical Version (M5) | | ● | I | 2-pole | 5707.0803.313 |
| 8 | Medical Version (M5) | | ● | I | 2-pole | 5707.0803.313.21 |
| 1 | Medical Version (M5) | ● | | II | 2-pole | 5707.0103.412 |
| 2 | Medical Version (M5) | ● | | II | 2-pole | 5707.0203.412 |
| 4 | Medical Version (M5) | ● | | II | 2-pole | 5707.0403.412 |
| 6 | Medical Version (M5) | ● | | II | 2-pole | 5707.0603.412 |
| 8 | Medical Version (M5) | ● | | II | 2-pole | 5707.0803.412 |
| 1 | Medical Version (M5) | | ● | II | 2-pole | 5707.0103.413 |
| 2 | Medical Version (M5) | | ● | II | 2-pole | 5707.0203.413 |
| 4 | Medical Version (M5) | | ● | II | 2-pole | 5707.0403.413 |
| 6 | Medical Version (M5) | | ● | II | 2-pole | 5707.0603.413 |
| 8 | Medical Version (M5) | | ● | II | 2-pole | 5707.0803.413 |
| 2 | Medical Version (M80) | ● | | I | 2-pole | 5707.0205.312.01 |

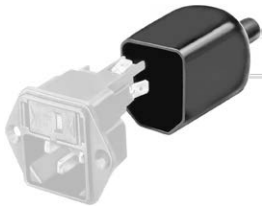
In addition to the IP 65 sealing to the appliance (standard version), the power input can be protected from ingressing fluids and dust with IP 54. This option is only available for front side mounting versions and can be ordered with ending ".01" (5707.xxxx.xxx.01). For the front mounting a cord retaining set is available for fixing the cord connector: 4700.0021 (sample 4700.0021.H)

Suffix ".21" corresponds to the version with V-Lock mating cordset. The connector is equipped with a notch intended for use with the latching cordset. The cord latching system prevents against accidental removal of the cordset.

Packaging unit 10 Pcs

Accessories

Description



Assorted Covers
Rear Cover

0859.0047



Wire Harness
Wire harness for SCHURTER products

Mating Outlets/Connectors

Category / Description

Connector Overview complete



| | |
|---|--------|
| IEC Connector C15, Rewireable, Straight | 0101 |
| IEC Connector C15A, Rewireable, Straight | 0102 |
| IEC Connector C15A, Rewireable, Straight | 0102-G |
| IEC Connector C15A, Rewireable, Angled | 0112 |
| IEC Connector C13, Rewireable, Angled | 4012 |
| Connector further types to 5707 | ... |

Interconnection Cord Overview complete



| | |
|--|-----------|
| Interconnection Cord C13, 10 A | 6007.0212 |
| Interconnection Cord C13, 10 A | 6007.0214 |
| Interconnection Cord further types to 5707 | ... |

Power Cord Overview complete



| | |
|--|------|
| Power Cord with IEC Connector C13, Angled | 0311 |
| Power Cord with IEC Connector C13, Angled | 3011 |
| Power Cord with IEC Connector C13, Angled | 3012 |
| Power Cord with IEC Connector C13, Angled | 3013 |
| Power Cord with IEC Connector C13 | 3020 |
| Power Cord further types to 5707 | ... |

Power Supply Cord Overview complete



| | |
|---|-----------|
| Power Supply Cord with IEC Connector C13 straight, stripped end | 6000.0214 |
| Power Supply Cord with IEC Connector C13 angled, stripped end | 6000.0224 |
| EU Power Supply Cord with IEC Connector C13, straight | 6003.0215 |
| EU Power Supply Cord with IEC Connector C13, straight | 6004.0215 |
| US Power Supply Cord with IEC Connector C13, straight | 6009.1315 |
| Power Supply Cord further types to 5707 | ... |

Category / Description

[Power Supply or Interconnection Cord Overview complete](#)

| | |
|--|-----------|
| Diverse Power Supply and Interconnection Cords 10 A | 6003.0204 |
| Diverse Power Supply and Interconnection Cords 10 A | 6003.0205 |
| Diverse Power Supply and Interconnection Cords 10 A | 6026.0205 |
| UK Power Supply Cord with stripped ends | 6044.0204 |
| Diverse Power Supply and Interconnection Cords 10 A | 6045.0114 |
| Power Supply or Interconnection Cord further types to 5707 | ... |